



Chipsmall Limited consists of a professional team with an average of over 10 year of expertise in the distribution of electronic components. Based in Hongkong, we have already established firm and mutual-benefit business relationships with customers from,Europe,America and south Asia,supplying obsolete and hard-to-find components to meet their specific needs.

With the principle of “Quality Parts,Customers Priority,Honest Operation,and Considerate Service”,our business mainly focus on the distribution of electronic components. Line cards we deal with include Microchip,ALPS,ROHM,Xilinx,Pulse,ON,Everlight and Freescale. Main products comprise IC,Modules,Potentiometer,IC Socket,Relay,Connector.Our parts cover such applications as commercial,industrial, and automotives areas.

We are looking forward to setting up business relationship with you and hope to provide you with the best service and solution. Let us make a better world for our industry!



## Contact us

Tel: +86-755-8981 8866 Fax: +86-755-8427 6832

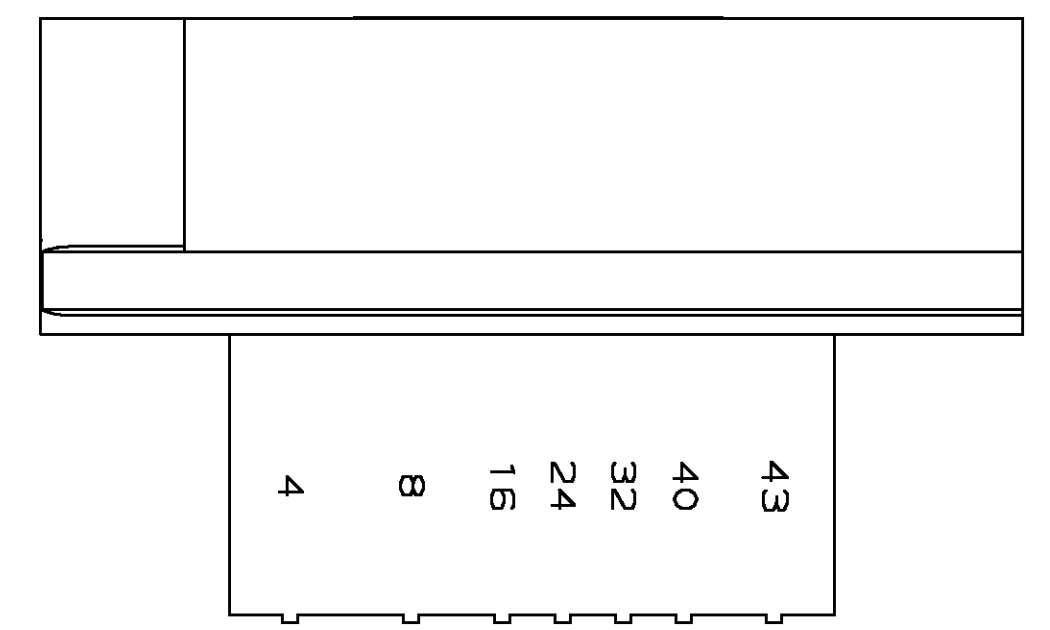
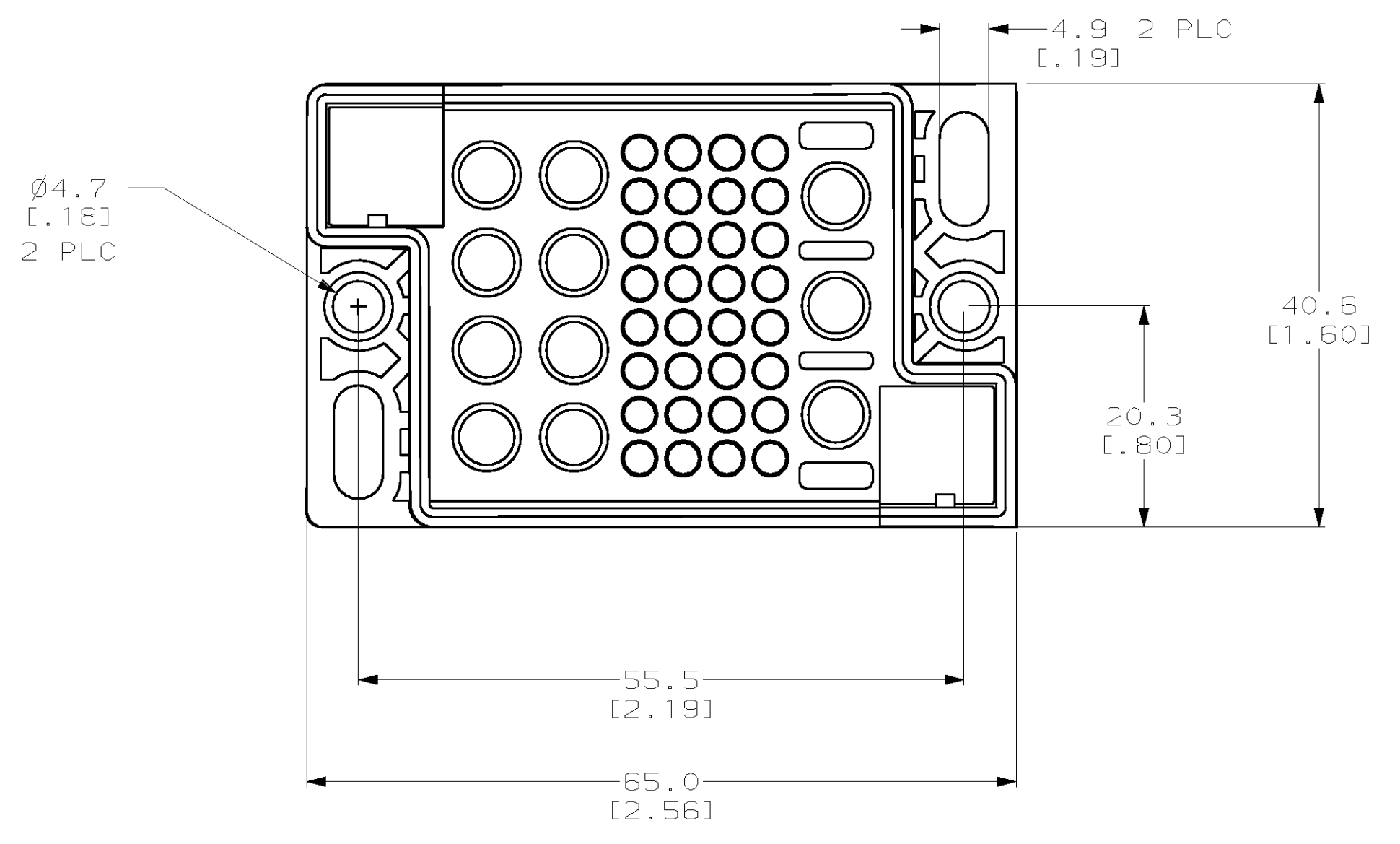
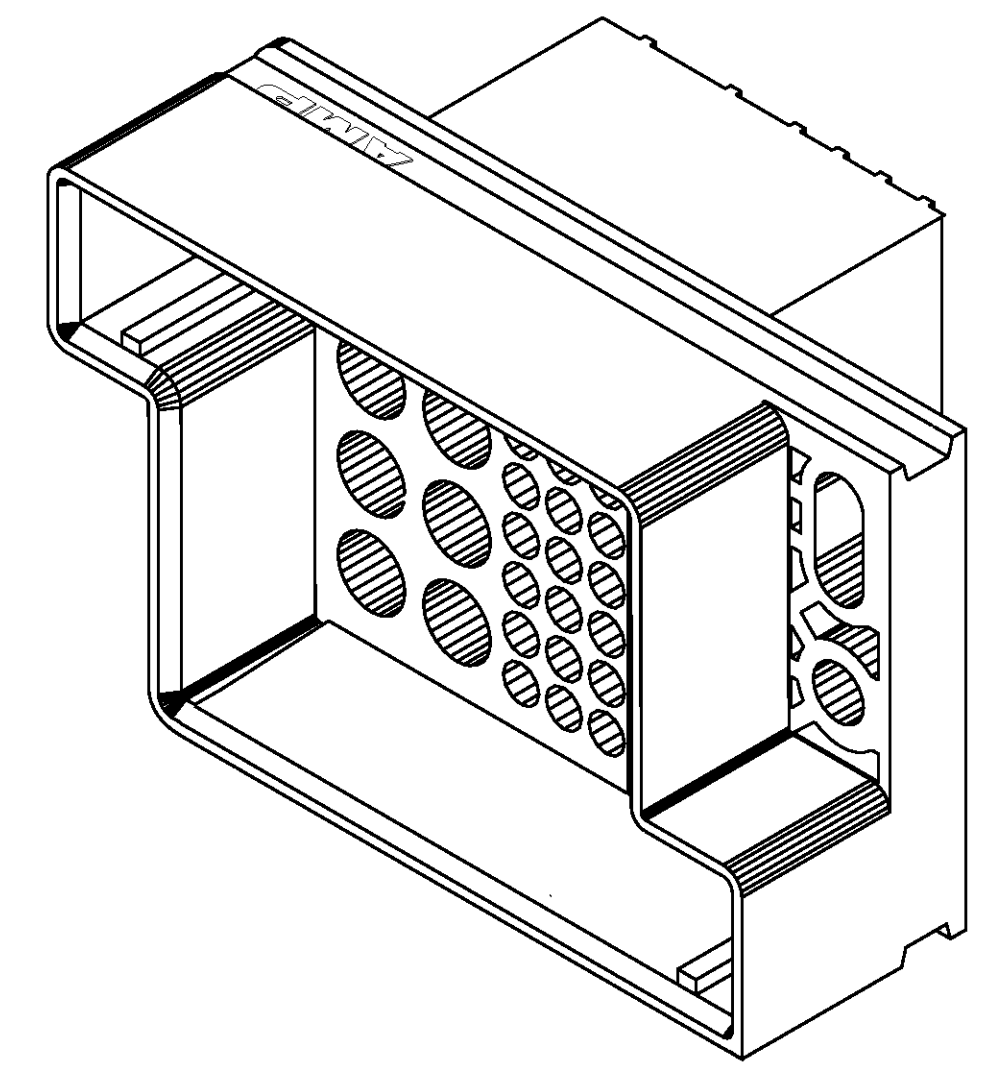
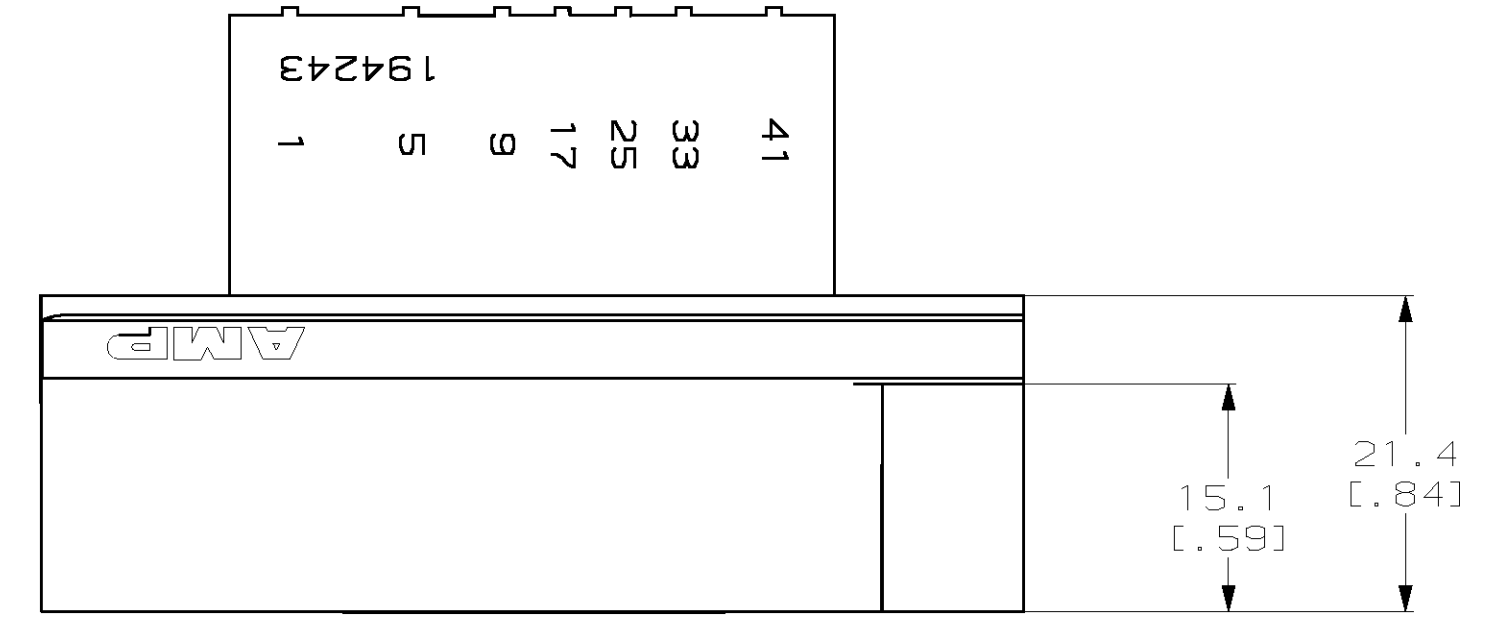
Email & Skype: info@chipsmall.com Web: www.chipsmall.com

Address: A1208, Overseas Decoration Building, #122 Zhenhua RD., Futian, Shenzhen, China



REVISIONS					
CH	NO	DATE	DESCRIPTION	BY	APPD
A	EC	0B20-0551-97	25/APR/97	RNP	RAR
B	EC	0B20-0126-98	22/JAN/98	DAP	RAR
C	EC	0B20-0188-98	22/JAN/98	DAP	RAR
D	EC	0B20-0093-99	20/JAN/99	RNP	RAR

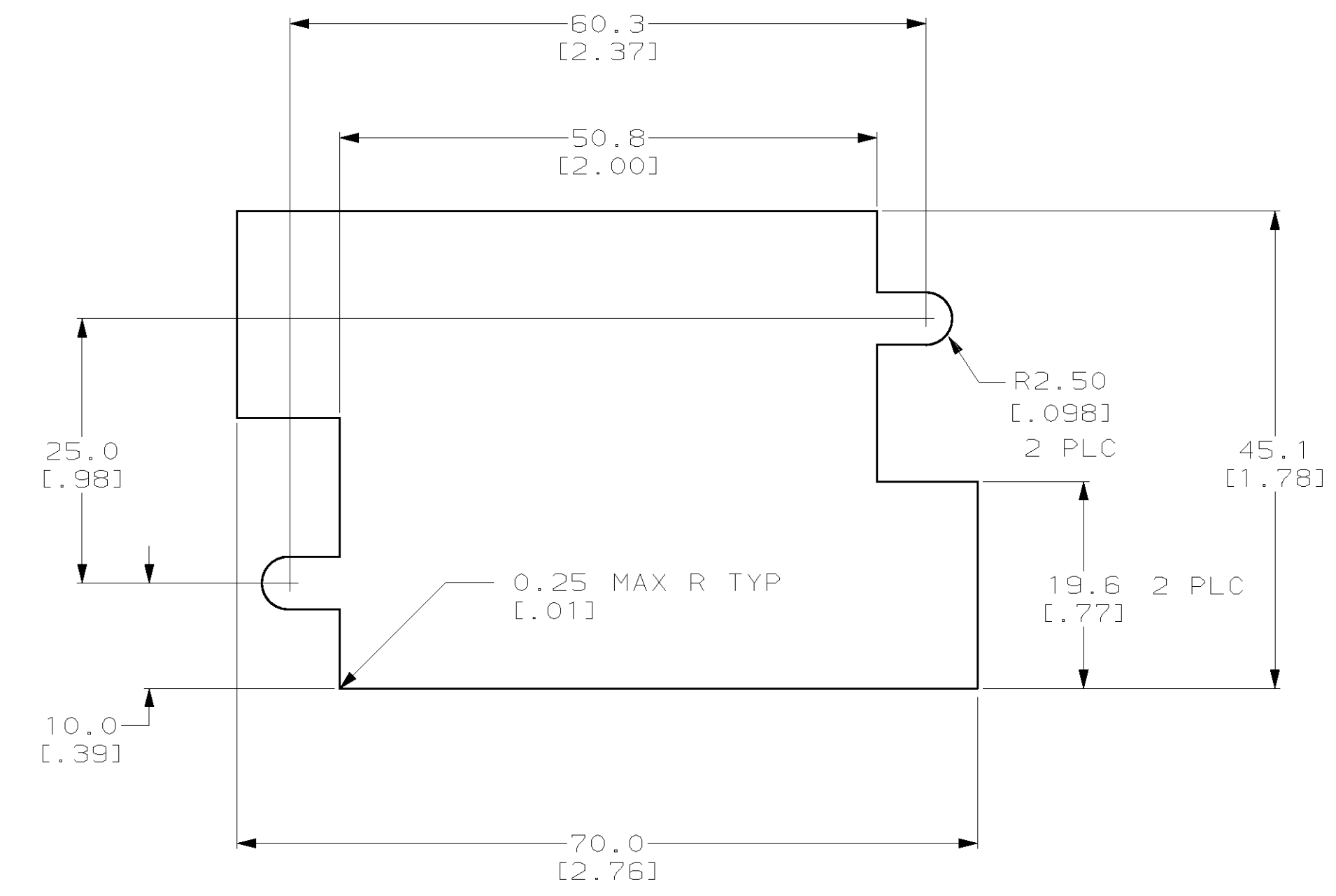
\* AMPPOWER is a trademark



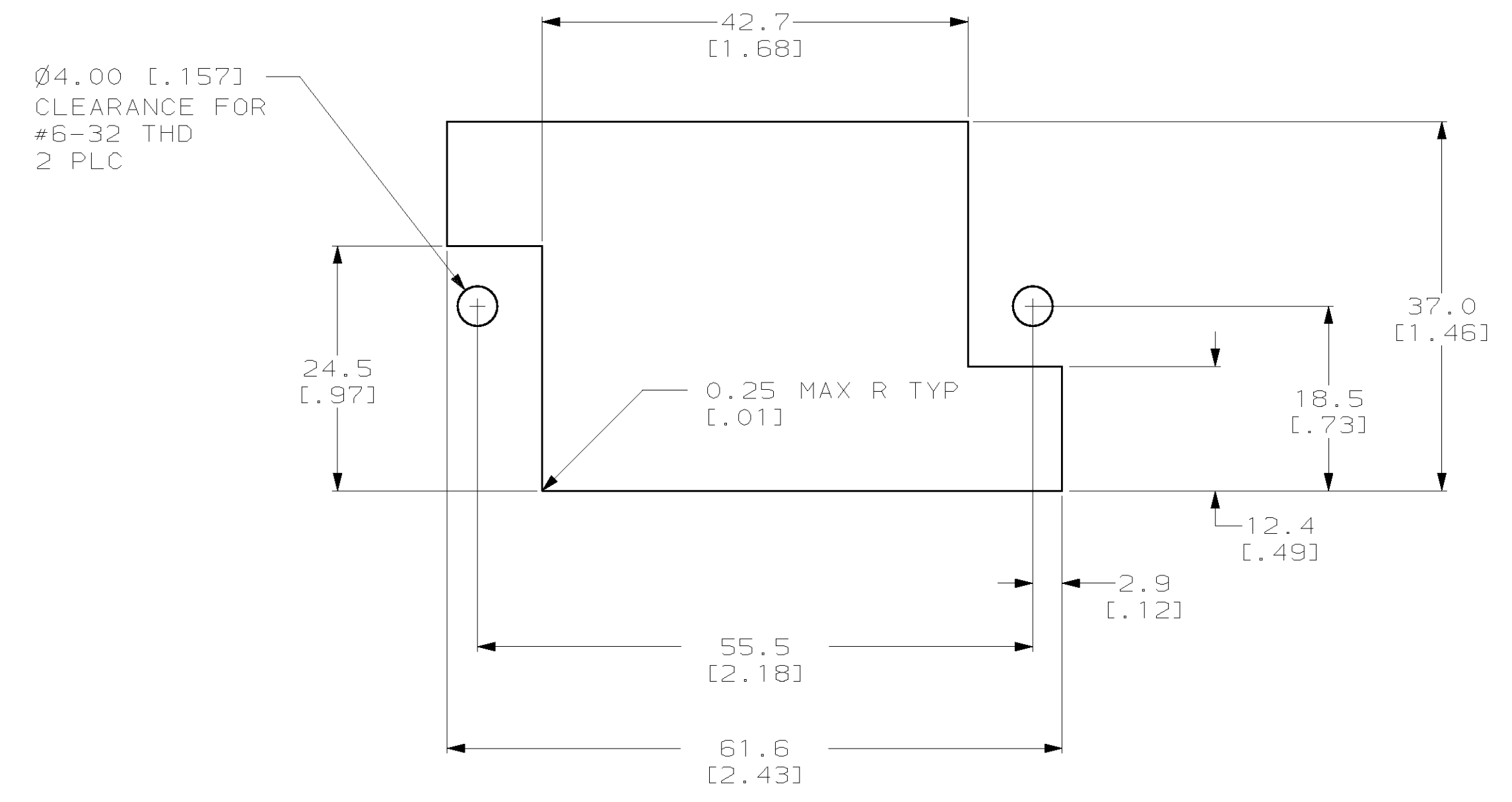
194243-1  
PART NO

- POSITIONS 1-8 ARE FOR 3mm CONTACTS.
- POSITIONS 9-40 ARE FOR SIZE 16 CONTACTS.
- POSITIONS 41-43 ARE FOR 3mm CONTACTS.
- INSERTS ARE NOT REQUIRED WHEN FLOAT MOUNTING.
- ALL DIMENSIONS EXCEPT PANEL CUTOUTS ARE REFERENCE ONLY.

<small>THIS DRAWING IS A CONTROLLED DOCUMENT AND IS UNPUBLISHED. IT IS SUBJECT TO CHANGE AND THE CONTROLLING ENGINEERING DEPARTMENT SHALL BE CONTACTED FOR THE LATEST REVISION.</small>		DWN: R N POLK CHK: 25APR97	<b>AMP</b> AMP Incorporated Harrisburg, PA 17105-3608
DIMENSIONS: mm (in)	TOLERANCES UNLESS OTHERWISE SPECIFIED:	PRODUCT SPEC:	SIZE: A1
	0 PLC ±.01 1 PLC ±.01 2 PLC ±.01 3 PLC ±.01 4 PLC ±.01 ANGLES ±.01	APPLICATION SPEC:	CAGE CODE: 00779 DRAWING NO: C=194243
MATERIAL: POLYESTER PCT, BLACK	FINISH:	WEIGHT:	SCALE: 2:1 SHEET: 12 OF 12 REV: 0
CUSTOMER DRAWING		AMPPOWER* Multi Pin Plus HOUSING, RECEPTACLE	



RECOMMENDED FLOAT MOUNT PANEL CUTOUT #5  
 EXTERNAL VIEW



RECOMMENDED STATIONARY MOUNT PANEL CUTOUT #6  
 EXTERNAL VIEW

THIS DRAWING IS A CONTROLLED DOCUMENT.		Dwn	R N POLK	25/APR/97	<b>AMP</b> AMP Incorporated Harrisburg, PA 17105-3608
DIMENSIONS:		CHK	-	-	
mm (in)		APVD	-	-	NAME AMPOWER Multi Pin Plus HOUSING, RECEPTACLE
TOLERANCES UNLESS OTHERWISE SPECIFIED:		PRODUCT SPEC	-	-	
0 PLC ±		APPLICATION SPEC	-	-	SIZE A1
1 PLC ±		WEIGHT	-	-	CAGE CODE 00779
2 PLC ±		CUSTOMER DRAWING	-	-	DRAWING NO 194243
3 PLC ±		SCALE	2/1	SHEET	22
4 PLC ±		REV	-	-	REV
ANGLES					
MATERIAL					
FINISH					