



Chipsmall Limited consists of a professional team with an average of over 10 year of expertise in the distribution of electronic components. Based in Hongkong, we have already established firm and mutual-benefit business relationships with customers from,Europe,America and south Asia,supplying obsolete and hard-to-find components to meet their specific needs.

With the principle of “Quality Parts,Customers Priority,Honest Operation,and Considerate Service”,our business mainly focus on the distribution of electronic components. Line cards we deal with include Microchip,ALPS,ROHM,Xilinx,Pulse,ON,Everlight and Freescale. Main products comprise IC,Modules,Potentiometer,IC Socket,Relay,Connector.Our parts cover such applications as commercial,industrial, and automotives areas.

We are looking forward to setting up business relationship with you and hope to provide you with the best service and solution. Let us make a better world for our industry!



## Contact us

Tel: +86-755-8981 8866 Fax: +86-755-8427 6832

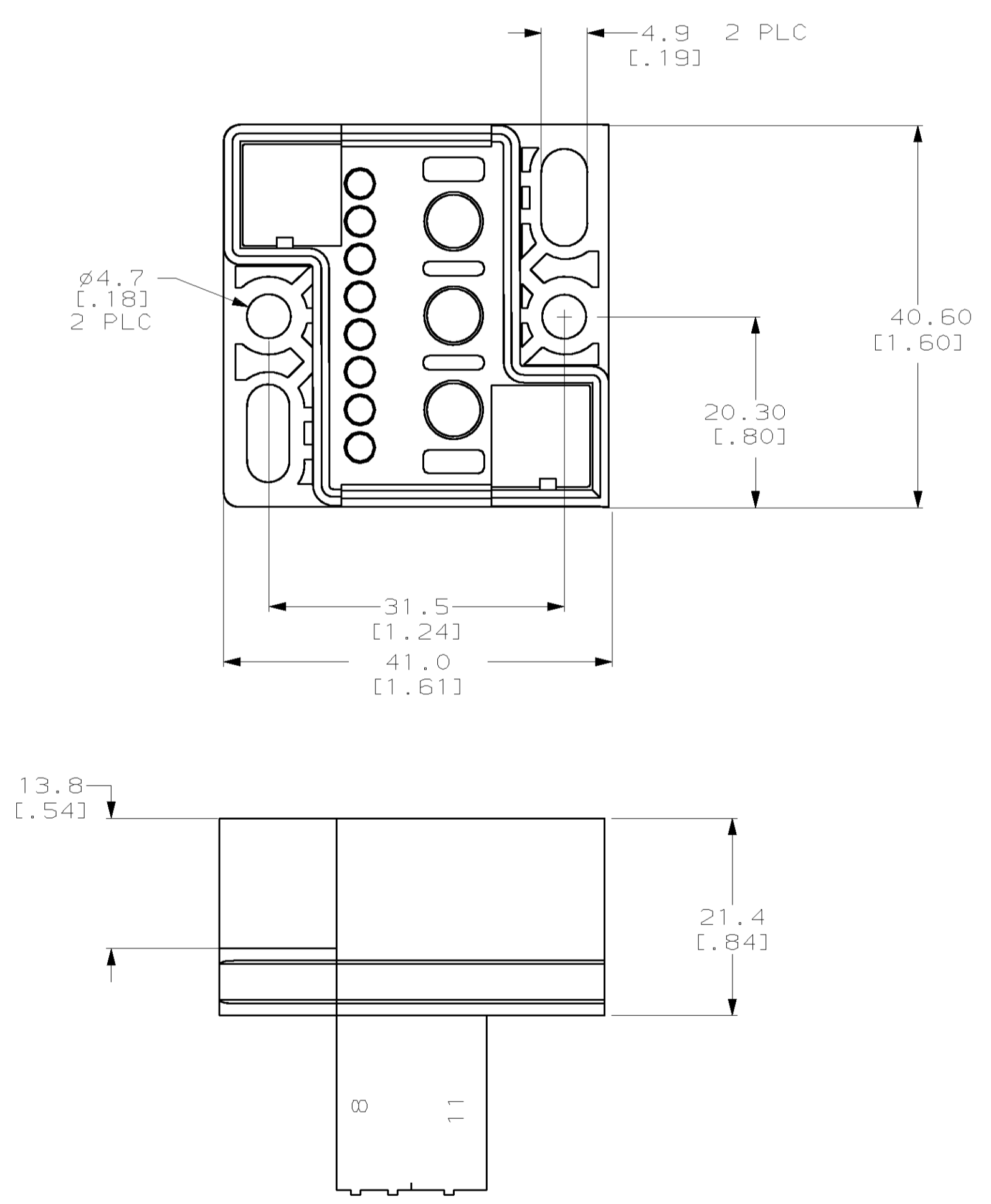
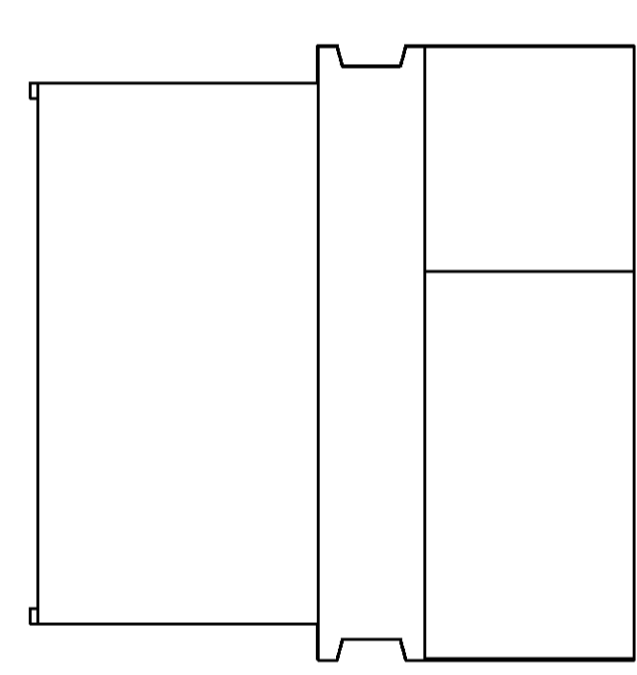
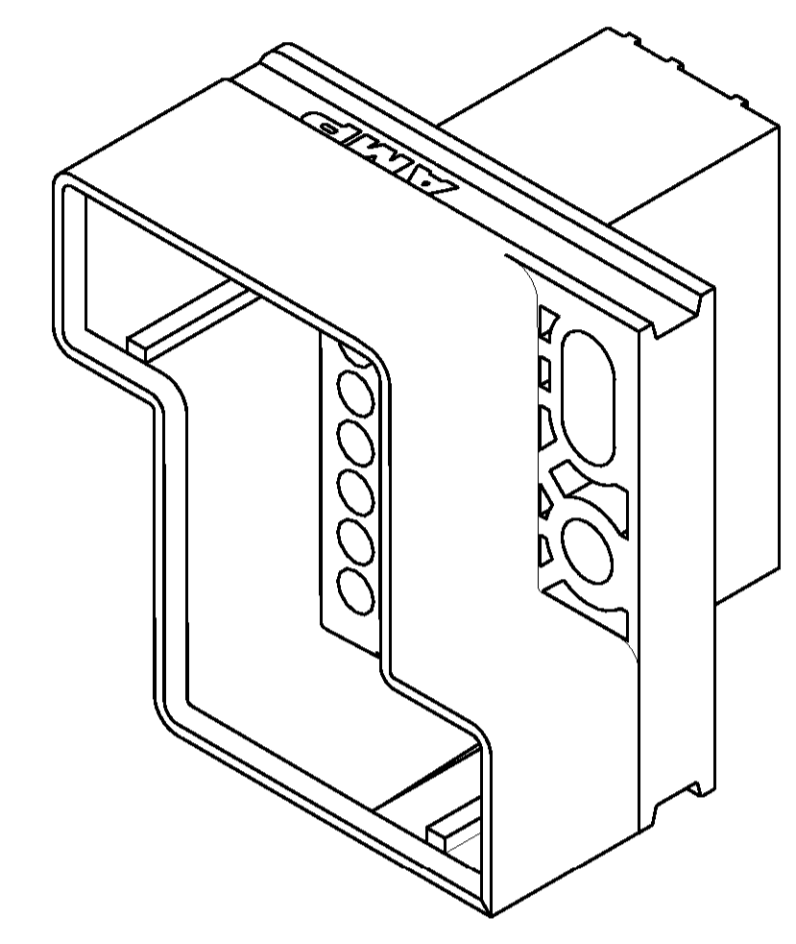
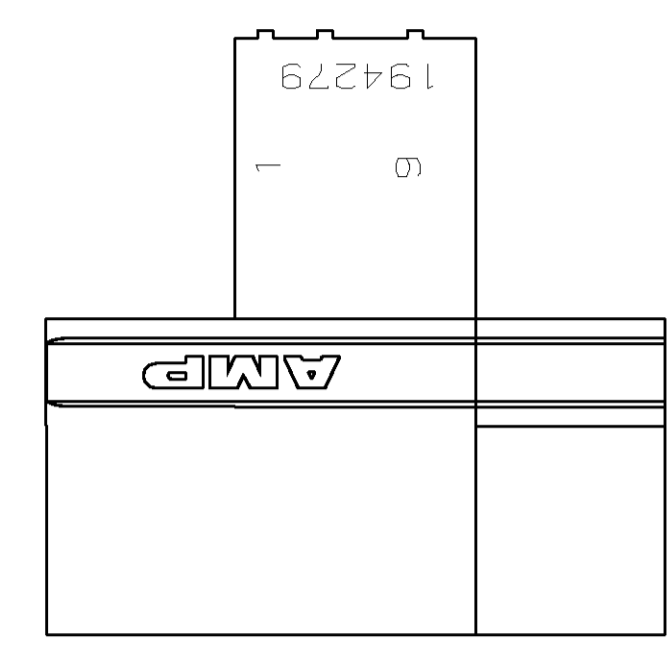
Email & Skype: info@chipsmall.com Web: www.chipsmall.com

Address: A1208, Overseas Decoration Building, #122 Zhenhua RD., Futian, Shenzhen, China



REV. NO.		REVISIONS			
REV.	DATE	DESCRIPTION	DATE	BY	APPROV.
0					
B		REVISE PER ECN 063B-0624-00	12DEC00	SU	65

\*AMPPOWER is a trademark

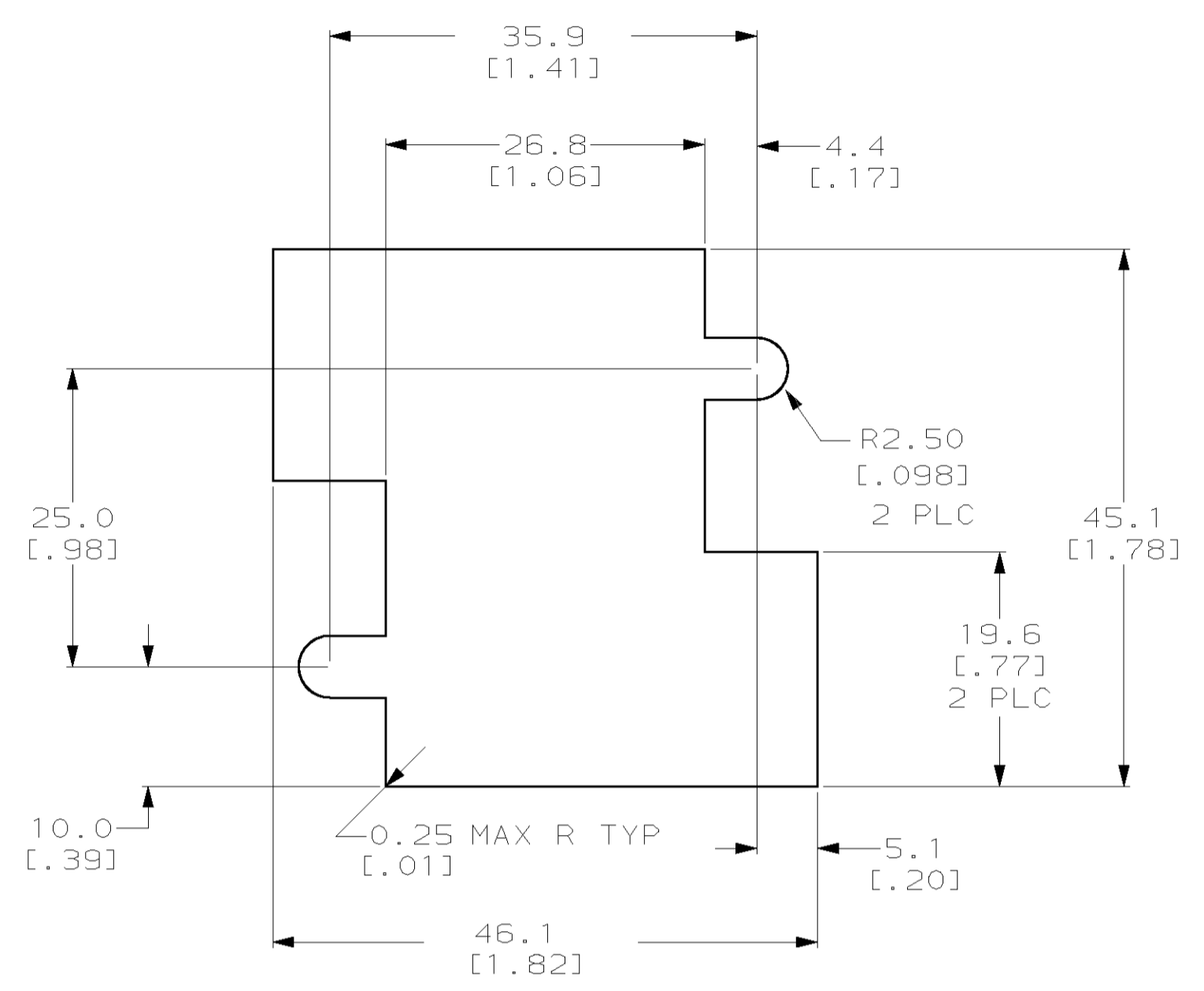


1. MATERIAL: POLYESTER PCT; BLACK.
2. POSITIONS 1 THRU 8 ARE FOR SIZE 16 CONTACTS.
3. POSITIONS 9-11 ARE FOR 3mm CONTACTS.
4. ALL DIMENSIONS ARE REF. ONLY.

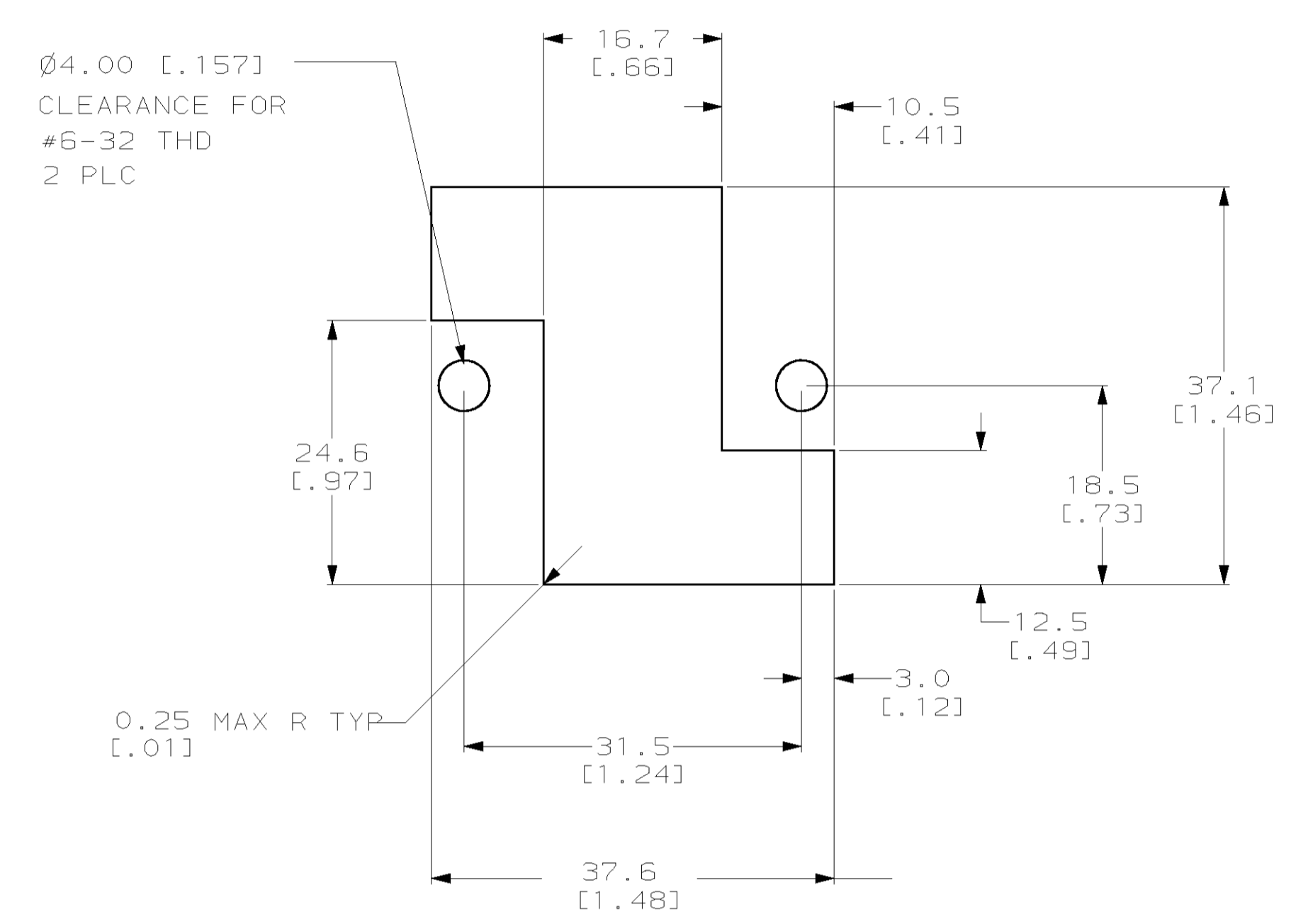
194279-1  
PART NUMBER

<small>THIS DRAWING IS A CONTROLLED DOCUMENT AND IS UNPUBLISHED. IT IS SUBJECT TO CHANGE AND THE CONTROLLING ENGINEERING ORGANIZATION SHOULD BE CONTACTED FOR THE LATEST REVISION.</small>		DWN: R N POLK 27APR98 CHK: R N POLK 27APR98 APP'D: R N POLK 27APR98 TITLE: R N POLK	AMP Incorporated Harrisburg, PA 17105-3608
DIMENSIONS: mm (IN) TOLERANCES UNLESS OTHERWISE SPECIFIED: 0 PLC ±.05 1 PLC ±.05 2 PLC ±.05 3 PLC ±.05 4 PLC ±.05 ANGLES ±.05 FINISH -	PRODUCT SPEC: - APPLICATION SPEC: - WEIGHT: - CUSTOMER DRAWING	AMPPOWER* Multi Pin Plus HOUSING, RECEPTACE, 11 POSITION	SIZE: A1 CAGE CODE: 00779 DRAWING NO: C=194279 SCALE: 2:1 SHEET: 12 OF 12 REV B

LOC		DIST		REVISIONS			
FT	0	REV	DATE	BY	APPV	DATE	BY
-	-	1	SEE SHEET 1	-	-	-	-



RECOMMENDED FLOAT MOUNT PANEL CUTOUT  
 EXTERNAL VIEW



RECOMMENDED STATIONARY MOUNT PANEL CUTOUT  
 EXTERNAL VIEW

THIS DRAWING IS A CONTROLLED DOCUMENT.		DWN R N POLK 27APR98	AMP Incorporated Harrisburg, PA 17105-3608	
DIMENSIONS: mm (in)		CHK R N POLK 27APR98	NAME	
TOLERANCES UNLESS OTHERWISE SPECIFIED:		PRODUCT SPEC	AMPOWER® Multi Pin Plus HOUSING, RECEPTACLE, 11 POSITION	
0 PLC ±	1 PLC ±	APPLICATION SPEC	SIZE A1	CAGE CODE 00779
2 PLC ±	3 PLC ±	WEIGHT	DRAWING NO C-194279	SCALE
4 PLC ±	ANGLES	CUSTOMER DRAWING	REV 2	SHEET 2