



Chipsmall Limited consists of a professional team with an average of over 10 year of expertise in the distribution of electronic components. Based in Hongkong, we have already established firm and mutual-benefit business relationships with customers from,Europe,America and south Asia,supplying obsolete and hard-to-find components to meet their specific needs.

With the principle of “Quality Parts,Customers Priority,Honest Operation,and Considerate Service”,our business mainly focus on the distribution of electronic components. Line cards we deal with include Microchip,ALPS,ROHM,Xilinx,Pulse,ON,Everlight and Freescale. Main products comprise IC,Modules,Potentiometer,IC Socket,Relay,Connector.Our parts cover such applications as commercial,industrial, and automotives areas.

We are looking forward to setting up business relationship with you and hope to provide you with the best service and solution. Let us make a better world for our industry!



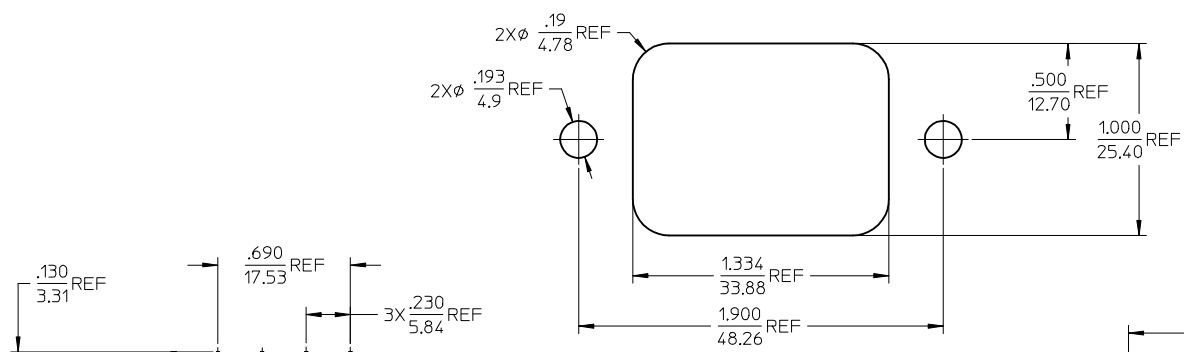
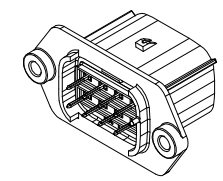
## Contact us

Tel: +86-755-8981 8866 Fax: +86-755-8427 6832

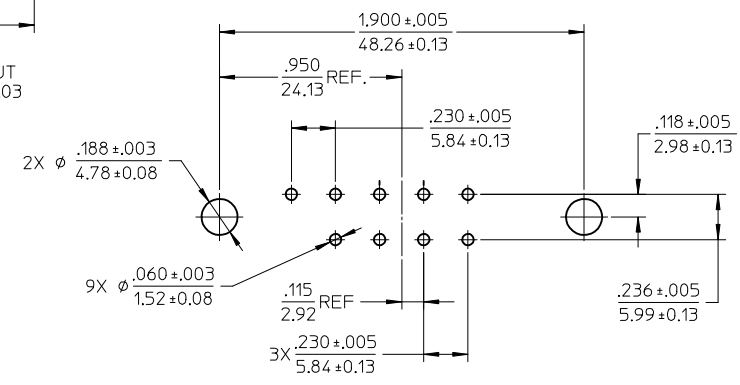
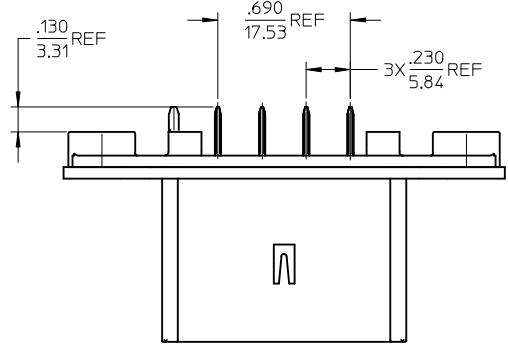
Email & Skype: info@chipsmall.com Web: www.chipsmall.com

Address: A1208, Overseas Decoration Building, #122 Zhenhua RD., Futian, Shenzhen, China

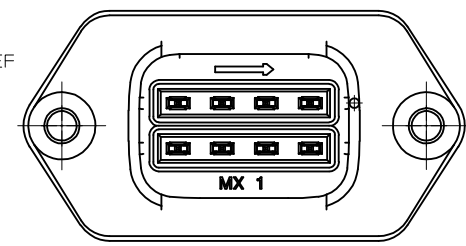
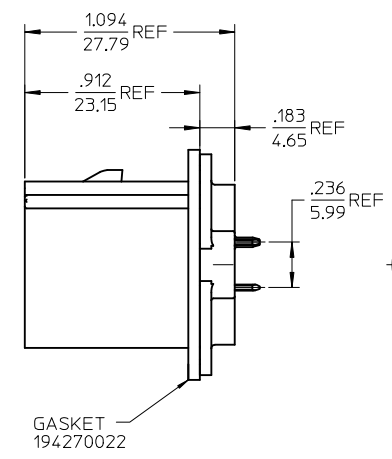
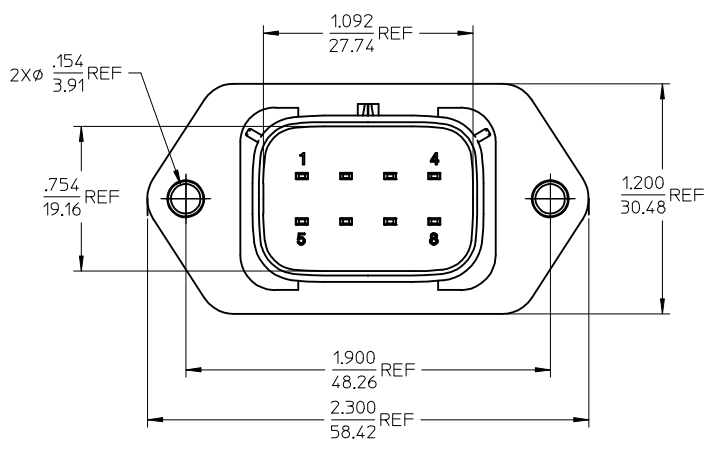




RECOMMENDED PANEL CUTOUT  
 MAX PANEL THICKNESS .080/2.03



RECOMMENDED PCB LAYOUT  
 COMPONENT VIEW  
 TOLERANCES ARE NON-ACCUMULATIVE



MATERIAL NUMBER	TERMINAL PLATING
194280013	TIN
194280029	SELECT GOLD/TIN

- NOTES:
- MATERIALS:  
 HOUSING: POLYESTER (PBT), GLASS FILLED, UL94 V-0,  
 COLOR: BLACK  
 TERMINALS: COPPER ALLOY
  - FINISHES: 1. TIN ONLY: 100µM TIN OVER 50µM NICKEL  
 2. TIN/GOLD: 30µM SELECT GOLD (CONTACT MATING AREA),  
 100µM SELECT TIN (PCB TAIL AREA) OVER 50µM NICKEL OVERALL.
  - PRODUCT SPECIFICATION: PS-19428-001.
  - PACKAGING SPECIFICATION: PK-19428-002.
  - MATES WITH: 19418 SERIES RECEPTACLE ASSEMBLIES.

<b>PRODUCTION RELEASE</b> EC NO: ETC2005-0213 DRWN: JPAWLICK 2005/06/10 CHKD: JPAWLICK 2005/06/14 APPR: RDEROSS 2005/06/14 REV A	QUALITY SYMBOLS ▽=0 ▽=0	GENERAL TOLERANCES (UNLESS SPECIFIED) <table border="1"> <tr> <th></th> <th>mm</th> <th>INCH</th> </tr> <tr> <td>4 PLACES</td> <td>± .005</td> <td>± .0005</td> </tr> <tr> <td>3 PLACES</td> <td>± .005</td> <td>± .015</td> </tr> <tr> <td>2 PLACES</td> <td>± 0.38</td> <td>± .015</td> </tr> <tr> <td>1 PLACE</td> <td>± .005</td> <td>± .015</td> </tr> </table> ANGULAR ± 1°		mm	INCH	4 PLACES	± .005	± .0005	3 PLACES	± .005	± .015	2 PLACES	± 0.38	± .015	1 PLACE	± .005	± .015	DIMENSION STYLE IN/MM DRAWN BY: BRUPERT DATE: 04/06/16 CHECKED BY: JPAWLICK DATE: 04/06/16 APPROVED BY: RDEROSS DATE: 04/06/16	SCALE: 2:1 DESIGN UNITS: INCH THIRD ANGLE PROJECTION	TITLE: <b>8-WAY STRAIGHT HEADER ASSEMBLY, SHORT VERSION</b>
		mm	INCH																	
	4 PLACES	± .005	± .0005																	
	3 PLACES	± .005	± .015																	
2 PLACES	± 0.38	± .015																		
1 PLACE	± .005	± .015																		
DRAFT WHERE APPLICABLE MUST REMAIN WITHIN DIMENSIONS		MATERIAL NO. <b>SEE CHART</b>	MOLEX INCORPORATED	SHEET NO. 1 OF 1																
THIS DRAWING CONTAINS INFORMATION THAT IS PROPRIETARY TO MOLEX INCORPORATED AND SHOULD NOT BE USED WITHOUT WRITTEN PERMISSION																				