



Chipsmall Limited consists of a professional team with an average of over 10 year of expertise in the distribution of electronic components. Based in Hongkong, we have already established firm and mutual-benefit business relationships with customers from,Europe,America and south Asia,supplying obsolete and hard-to-find components to meet their specific needs.

With the principle of "Quality Parts,Customers Priority,Honest Operation,and Considerate Service",our business mainly focus on the distribution of electronic components. Line cards we deal with include Microchip,ALPS,ROHM,Xilinx,Pulse,ON,Everlight and Freescale. Main products comprise IC,Modules,Potentiometer,IC Socket,Relay,Connector.Our parts cover such applications as commercial,industrial, and automotives areas.

We are looking forward to setting up business relationship with you and hope to provide you with the best service and solution. Let us make a better world for our industry!



Contact us

Tel: +86-755-8981 8866 Fax: +86-755-8427 6832

Email & Skype: info@chipsmall.com Web: www.chipsmall.com

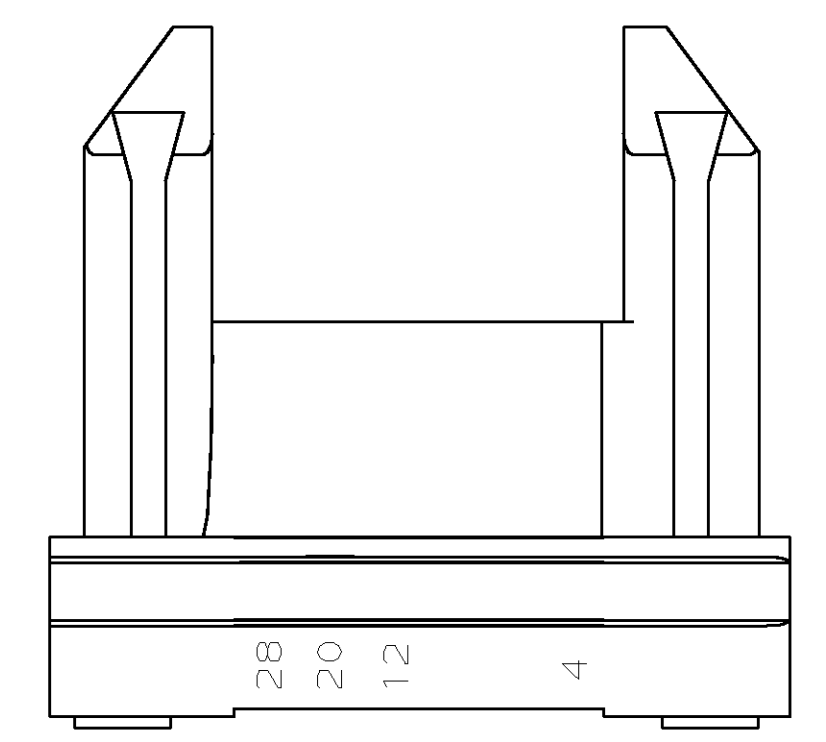
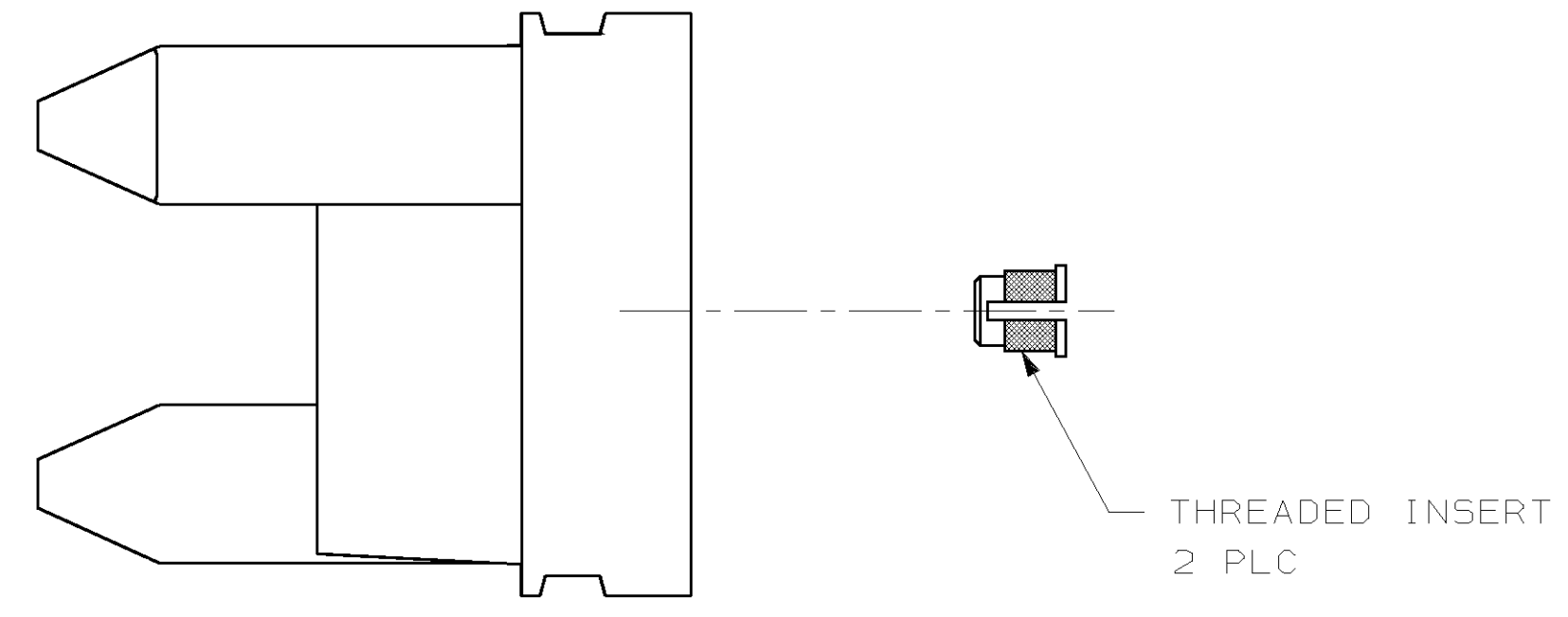
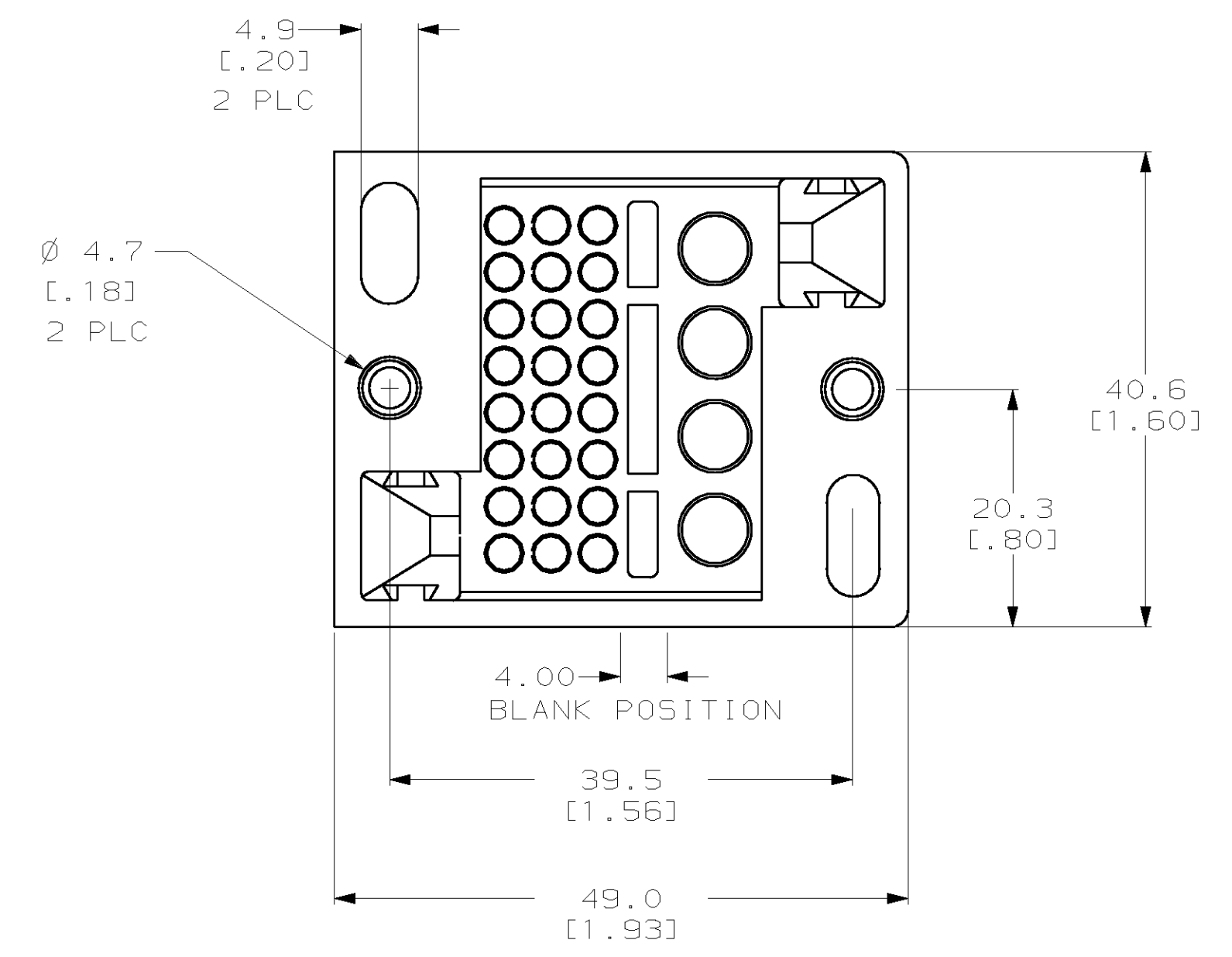
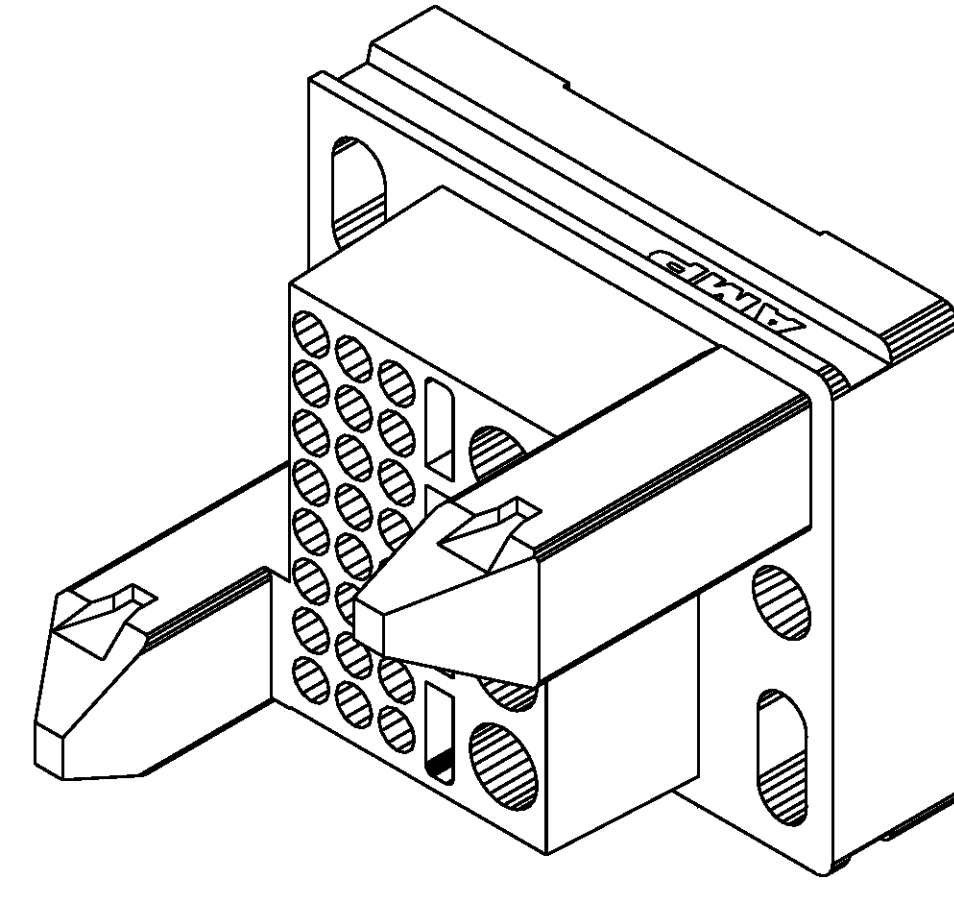
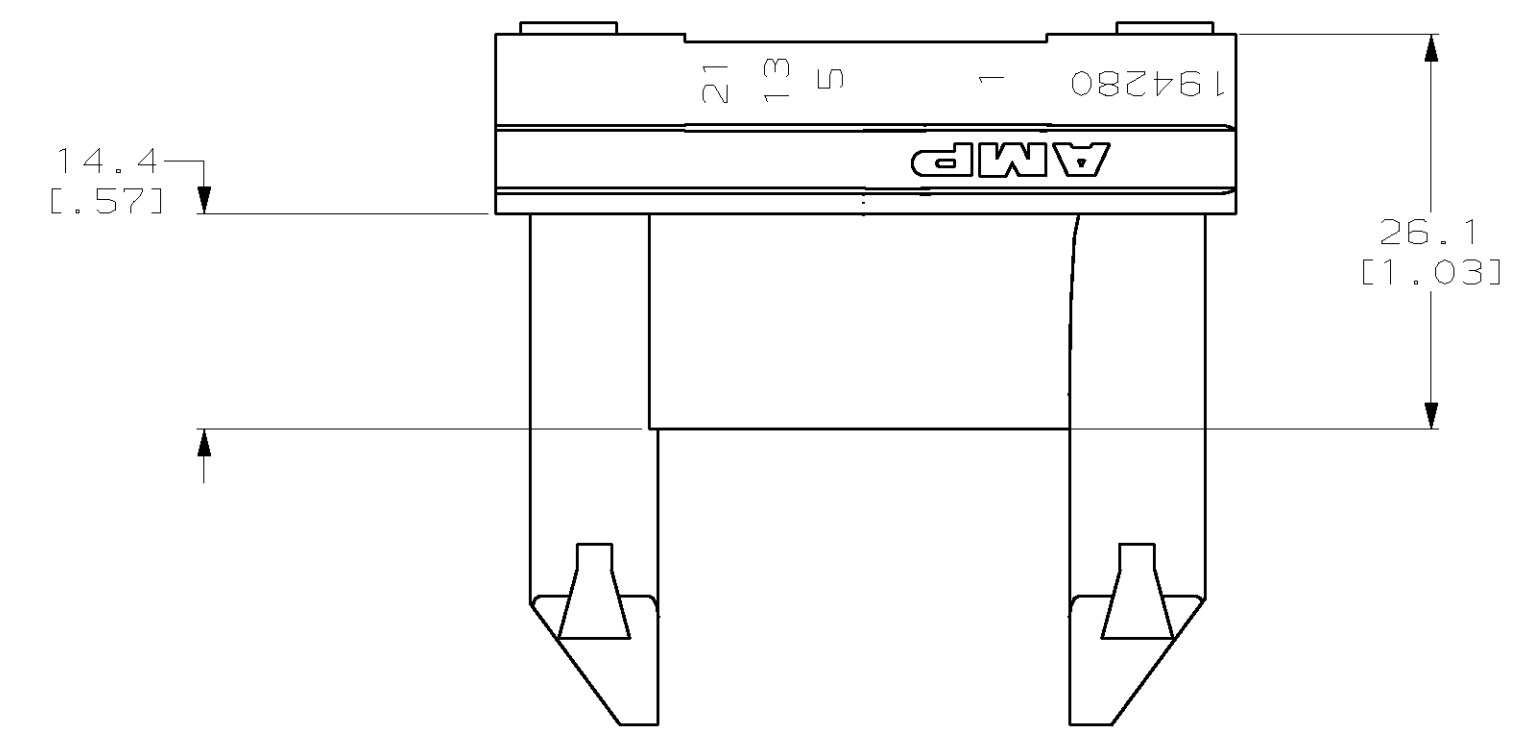
Address: A1208, Overseas Decoration Building, #122 Zhenhua RD., Futian, Shenzhen, China



REV	DATE	DESCRIPTION	DATE	BY	APP'D
0	8-AUG-98	RELEASED FOR PRODUCTION		DAP	RAR
A	25/JAN/99	EC OB20-0118-99		RNP	RAR

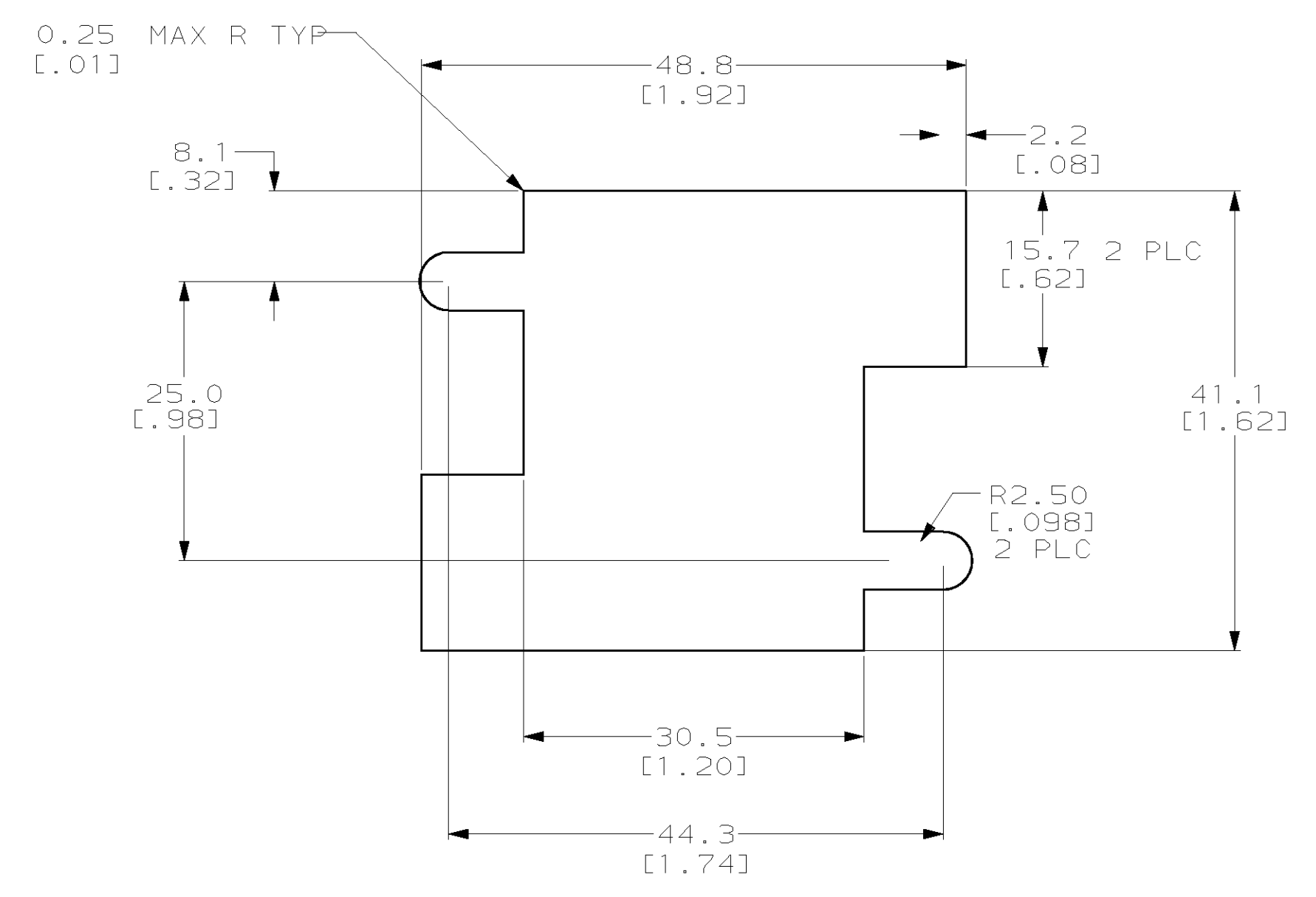
* AMPPOWER is a trademark

1. MATERIAL: POLYESTER PCT, BLACK.
2. POSITIONS 1-4 ARE FOR 3mm CONTACTS.
3. POSITIONS 5-28 ARE FOR SIZE 16 CONTACTS.
4. ALL DIMENSIONS EXCEPT PANEL CUT OUTS ARE REFERENCE ONLY.

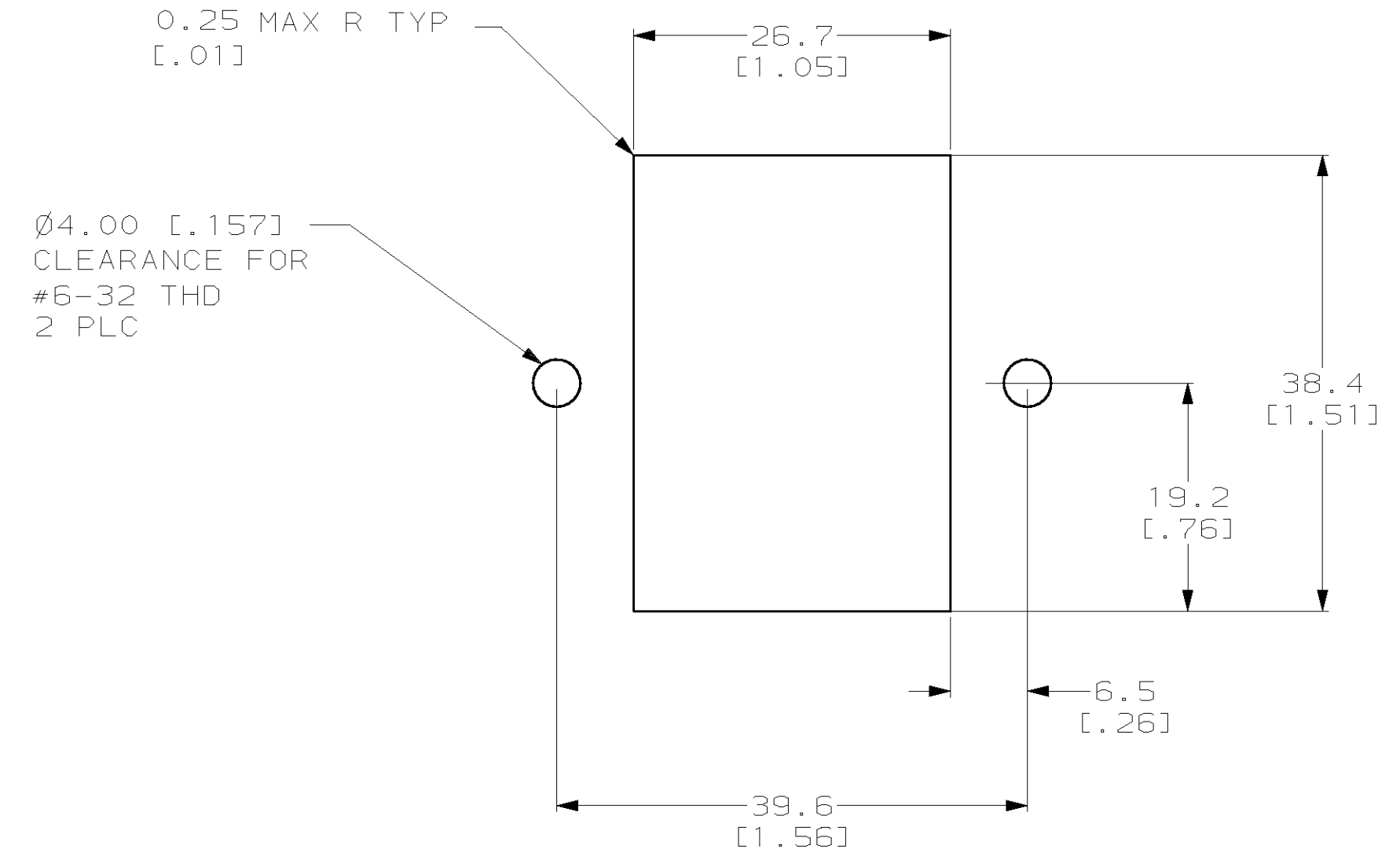


#6-32 THREADED INSERT (REAR MOUNTED)	194280-4
NO INSERTS	194280-1
DESCRIPTION	PART NO

<small>THIS DRAWING IS UNPUBLISHED. IT IS SUBJECT TO CHANGE AND THE CONTROLLING ENGINEERING DEPARTMENT SHALL BE CONTACTED FOR THE LATEST REVISION.</small>		DWN D.A. PUERNER 16/JUN/98
DIMENSIONS: mm (in)		TOLERANCES UNLESS OTHERWISE SPECIFIED: 0 PLC ±.01 1 PLC ±.01 2 PLC ±.01 3 PLC ±.01 4 PLC ±.01 ANGLES ±.01
MATERIAL: POLYESTER PCT, BLACK		FINISH: -- WEIGHT: -- CUSTOMER DRAWING
AMP Incorporated Harrisburg, PA 17105-3608		AMPPOWER* Multi Pin Plus PLUG, 28 POSITION
SIZE: A1	CAGE CODE: 00779	DRAWING NO: 194280
SCALE: NONE		SHEET: 12 OF 12 REV: A



RECOMMENDED FLOAT MOUNT PANEL CUTOUT
 EXTERNAL VIEW



RECOMMENDED STATIONARY MOUNT PANEL CUTOUT
 EXTERNAL VIEW

THIS DRAWING IS A CONTROLLED DOCUMENT.		Dwn D.A. PUERNER	11/DEC/96	AMP Incorporated Harrisburg, PA 17105-3608	
DIMENSIONS: mm [in.]		CH	-	NAME AMPOWER* Multi Pin Plus PLUG, 28 POSITION	
TOLERANCES UNLESS OTHERWISE SPECIFIED:		APVD	-	PRODUCT SPEC	
0 PLC ±		APPLICATION SPEC	-	SCALE NONE	
1 PLC ±		WEIGHT	-	SHEET 22	
2 PLC ±0.20 [.008]		CUSTOMER DRAWING	-	REV A	
3 PLC ±0.10 [.004]					
4 PLC ±					
ANGLES ±					
FINISH					