



Chipsmall Limited consists of a professional team with an average of over 10 year of expertise in the distribution of electronic components. Based in Hongkong, we have already established firm and mutual-benefit business relationships with customers from,Europe,America and south Asia,supplying obsolete and hard-to-find components to meet their specific needs.

With the principle of "Quality Parts,Customers Priority,Honest Operation,and Considerate Service",our business mainly focus on the distribution of electronic components. Line cards we deal with include Microchip,ALPS,ROHM,Xilinx,Pulse,ON,Everlight and Freescale. Main products comprise IC,Modules,Potentiometer,IC Socket,Relay,Connector.Our parts cover such applications as commercial,industrial, and automotives areas.

We are looking forward to setting up business relationship with you and hope to provide you with the best service and solution. Let us make a better world for our industry!



Contact us

Tel: +86-755-8981 8866 Fax: +86-755-8427 6832

Email & Skype: info@chipsmall.com Web: www.chipsmall.com

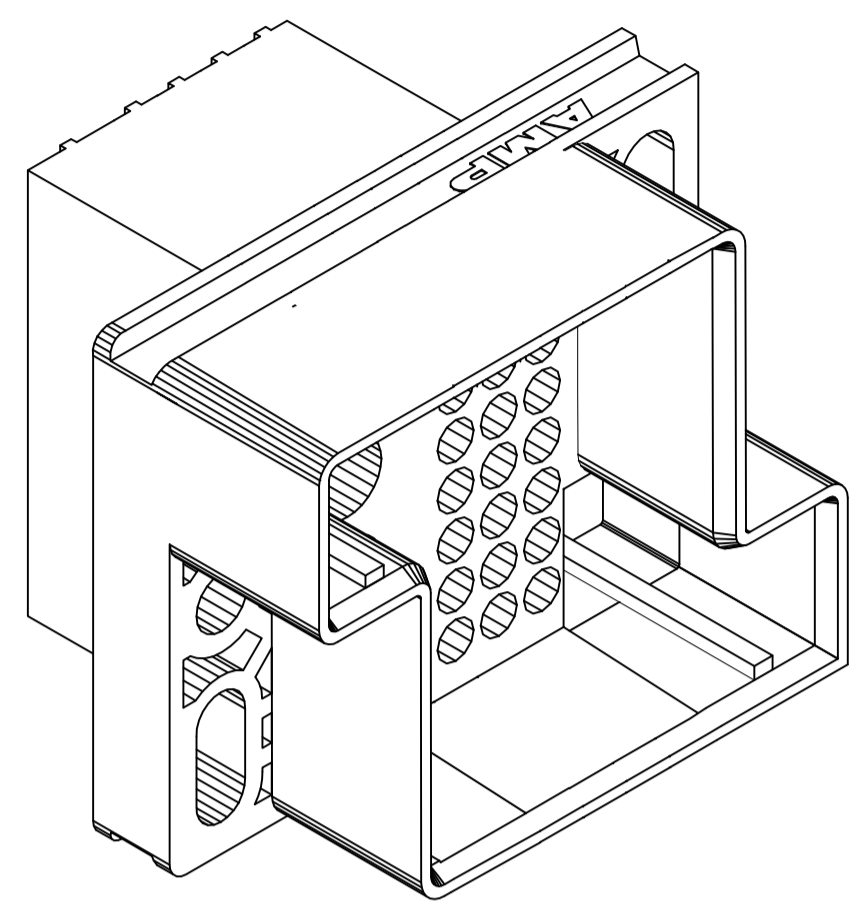
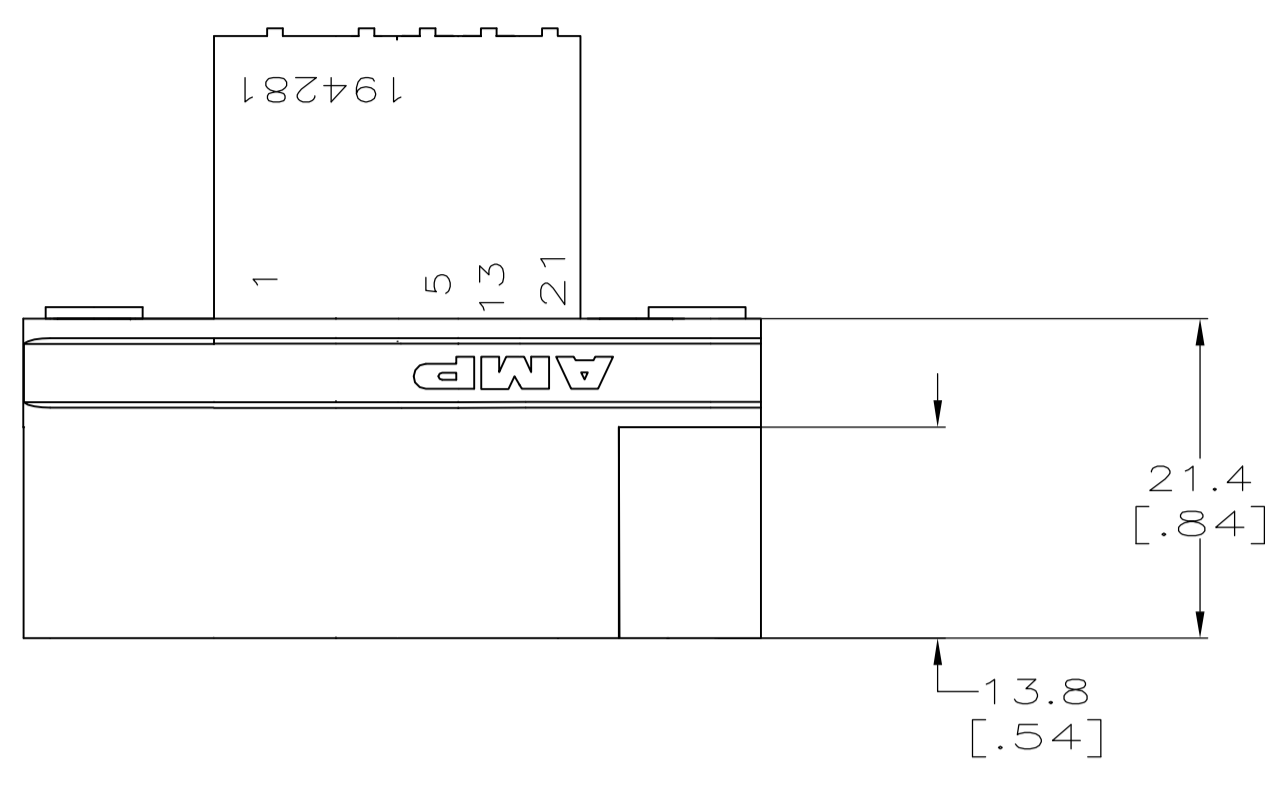
Address: A1208, Overseas Decoration Building, #122 Zhenhua RD., Futian, Shenzhen, China



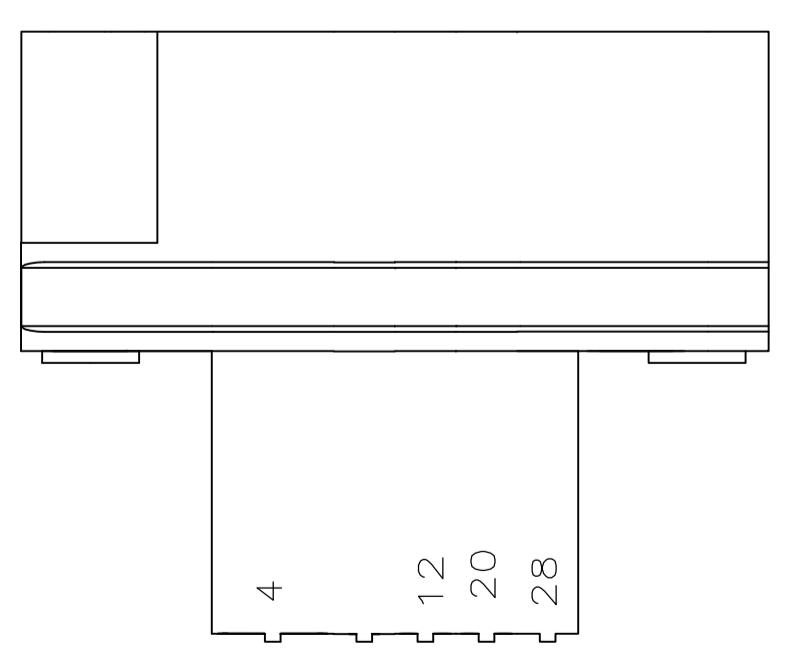
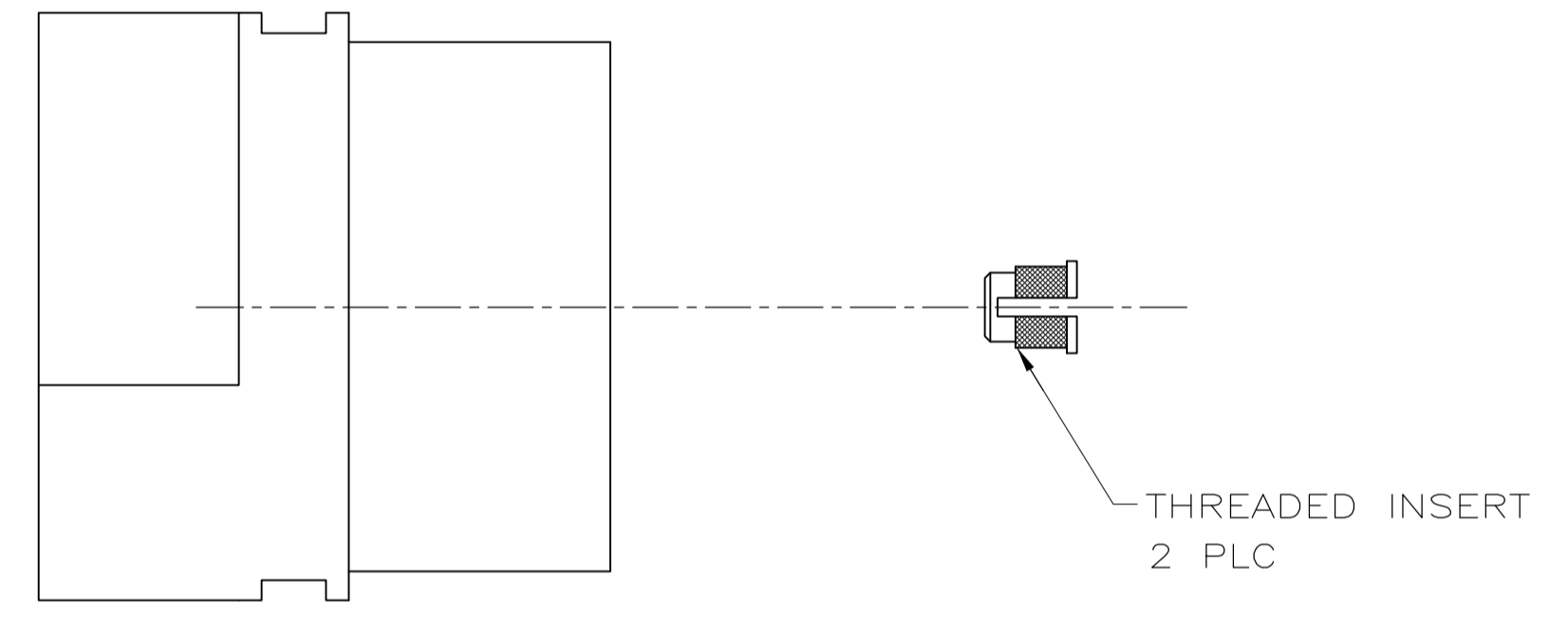
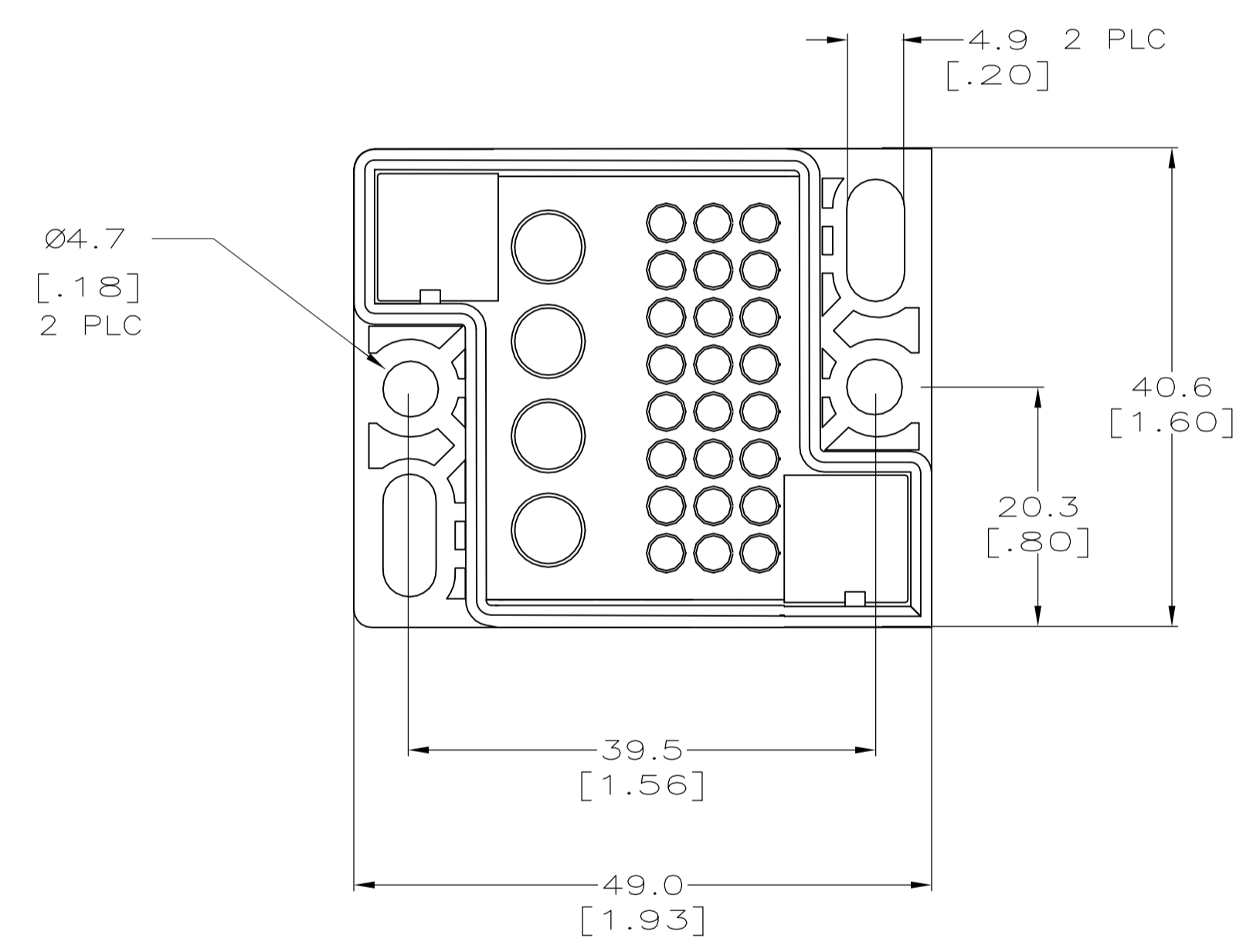
THIS DRAWING IS UNPUBLISHED. RELEASED FOR PUBLICATION
 COPYRIGHT 19 BY AMP INCORPORATED. ALL RIGHTS RESERVED.

* AMPOWER is a trademark

LOC	DIST	REVISIONS					
CH	11	P	LTR	DESCRIPTION	DATE	DWN	APVD
		0		RELEASED FOR PRODUCTION	19/AUG/98	DAP	RAR
		A		EC 0B20-0118-99	29/JAN/99	RNP	RAR
		A1		REVISED PER ECO-09-024717	06NOV09	KK	AEG



1. MATERIAL: POLYESTER PCT, BLACK.
 2. POSITIONS 1-4 ARE FOR 3mm CONTACTS.
 3. POSITIONS 5-28 ARE FOR SIZE 16 CONTACTS.
 4. ALL DIMENSIONS EXCEPT PANEL CUT OUTS ARE REFERENCE ONLY.
- ⚠ OBSOLETE PARTS: OBSOLETE CIS STREAMLINING PER D.RENAUD/D.SINISI

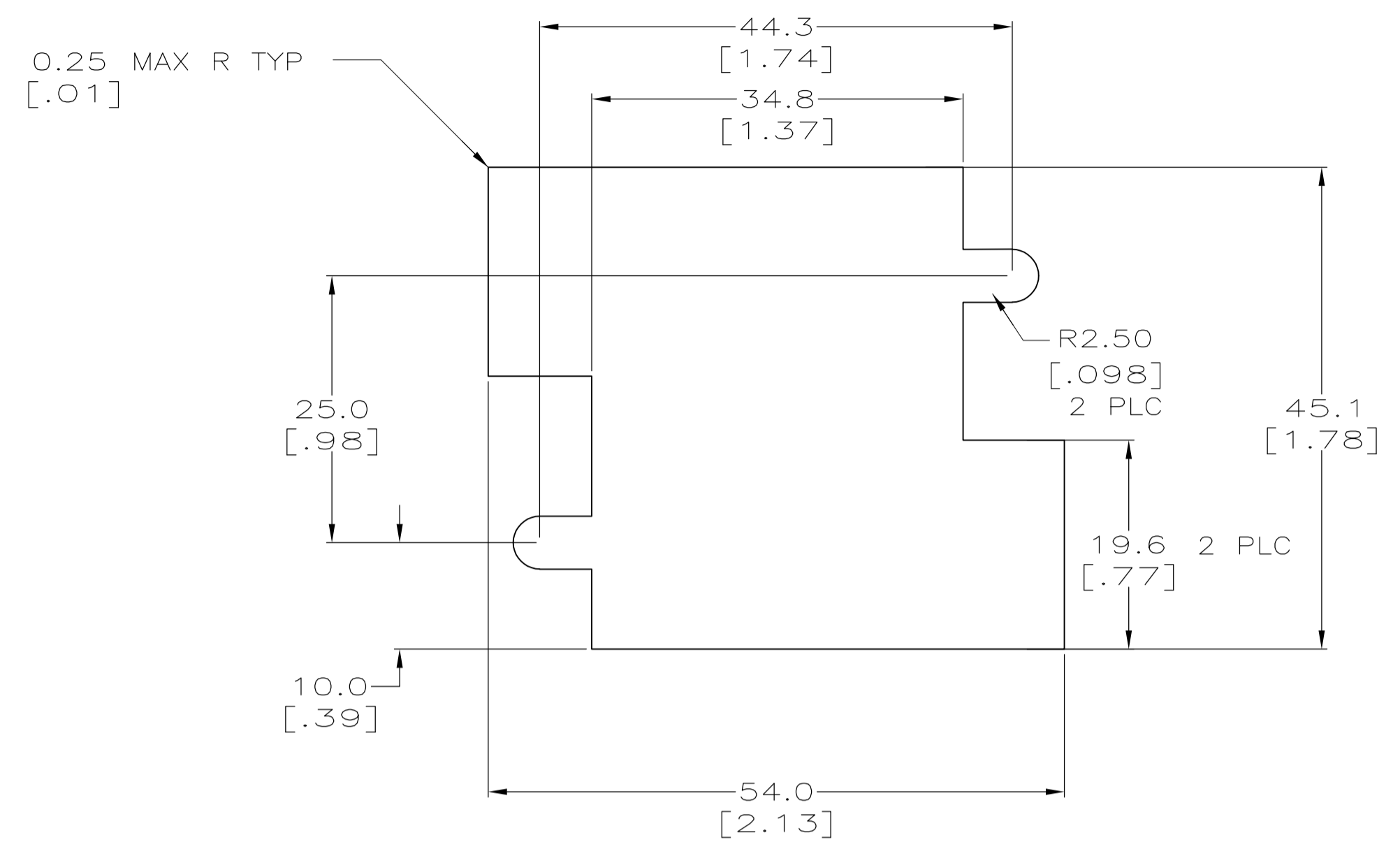


⚠ OBSOLETE	#6-32 THREADED INSERT (REAR MOUNTED)	194281-4
	NO INSERTS	194281-1
	DESCRIPTION	PART NO

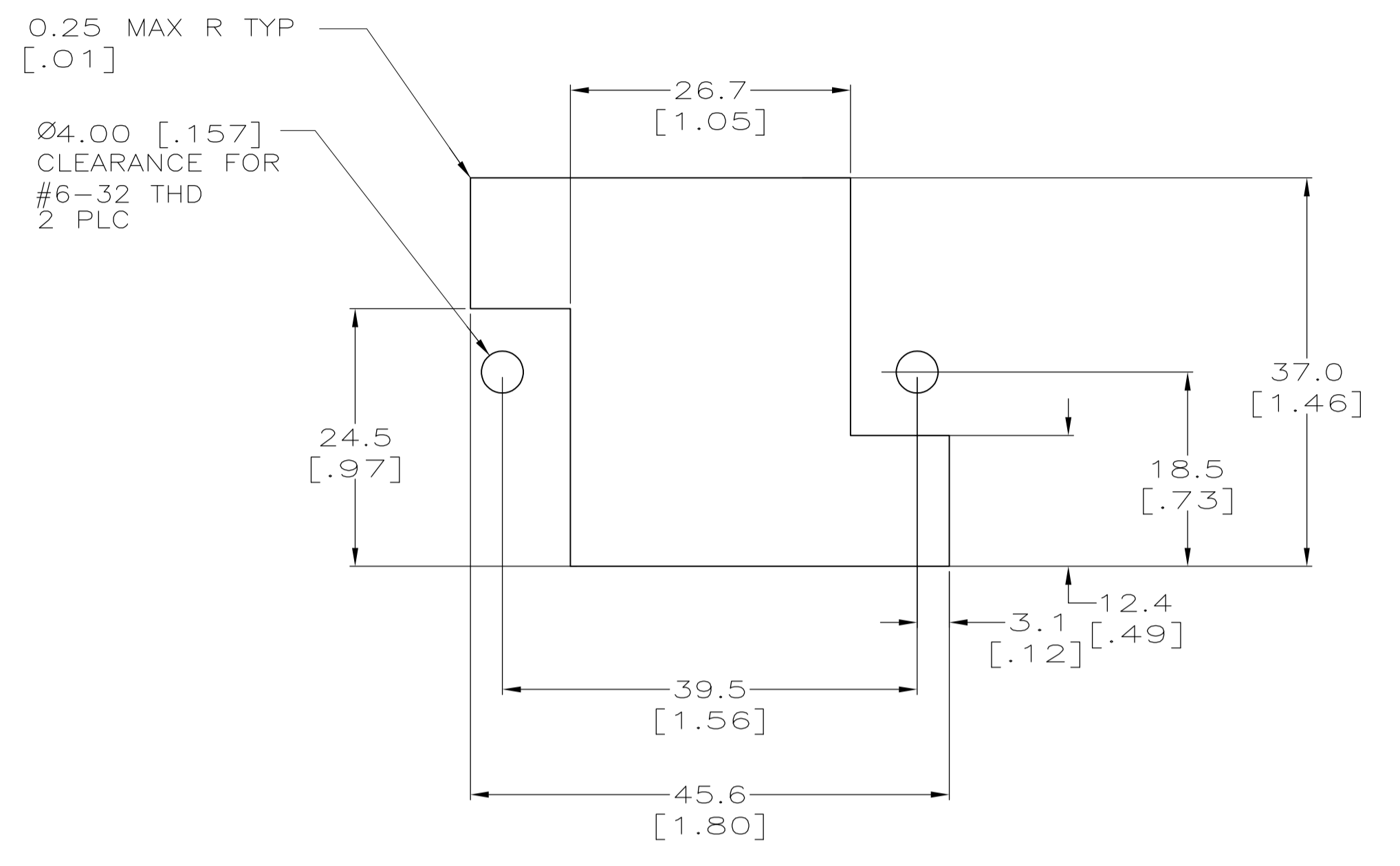
<small>THIS DRAWING IS A CONTROLLED DOCUMENT FOR AMP INCORPORATED. IT IS SUBJECT TO CHANGE AND THE CONTROLLING ENGINEERING ORGANIZATION SHOULD BE CONTACTED FOR THE LATEST REVISION.</small>		DWN: D.A. PUERNER CHN: - DATE: 16/JUN/98	AMP Incorporated Harrisburg, PA 17105-3608
DIMENSIONS: mm [in]	TOLERANCES UNLESS OTHERWISE SPECIFIED: 0 PLC ± 1 PLC ± 2 PLC ± 3 PLC ± 4 PLC ± ANGLES ±	PRODUCT SPEC: - APPLICATION SPEC: - WEIGHT: -	NAME: AMPOWER* Multi Pin Plus RECEPTACLE 28 POSITION SIZE: A1 CAD CODE: 00779 DRAWING NO: 194281
MATERIAL: POLYESTER PCT, BLACK FINISH: -	CUSTOMER DRAWING	SCALE: NONE SHEET: 1 OF 2 REV: A1	

THIS DRAWING IS UNPUBLISHED. RELEASED FOR PUBLICATION .19
 © COPYRIGHT 19 BY AMP INCORPORATED. ALL RIGHTS RESERVED.

LOC		DIST		REVISIONS			
P	LTR	DATE	DWN	APVD			
CH	11	-	-	-	SEE SHEET 1	-	-



RECOMMENDED FLOAT MOUNT PANEL CUTOUT
EXTERNAL VIEW



RECOMMENDED STATIONARY MOUNT PANEL CUTOUT
EXTERNAL VIEW

THIS DRAWING IS A CONTROLLED DOCUMENT.		DWN D.A. PUERNER	16/JUN/98	AMP AMP Incorporated Harrisburg, PA 17105-3608																			
DIMENSIONS: mm [in]		TOLERANCES UNLESS OTHERWISE SPECIFIED:		NAME AMPOWER Multi Pin Plus																			
<table border="1"> <tr><td>Ø</td><td>PLC</td><td>±</td></tr> <tr><td>1</td><td>PLC</td><td>±</td></tr> <tr><td>2</td><td>PLC</td><td>±0.20[.008]</td></tr> <tr><td>3</td><td>PLC</td><td>±0.10[.004]</td></tr> <tr><td>4</td><td>PLC</td><td>±</td></tr> <tr><td colspan="2">ANGLES</td><td>±</td></tr> </table>		Ø	PLC	±	1	PLC	±	2	PLC	±0.20[.008]	3	PLC	±0.10[.004]	4	PLC	±	ANGLES		±	APVD		PRODUCT SPEC	
Ø	PLC	±																					
1	PLC	±																					
2	PLC	±0.20[.008]																					
3	PLC	±0.10[.004]																					
4	PLC	±																					
ANGLES		±																					
MATERIAL		FINISH		APPLICATION SPEC																			
-		-		SIZE																			
-		-		A1																			
-		-		CAGE CODE																			
-		-		00779																			
-		-		DRAWING NO																			
-		-		194281																			
-		-		SCALE																			
-		-		NONE																			
-		-		SHEET																			
-		-		2 of 2																			
-		-		REV																			
-		-		A1																			
-		-		CUSTOMER DRAWING																			