



Chipsmall Limited consists of a professional team with an average of over 10 year of expertise in the distribution of electronic components. Based in Hongkong, we have already established firm and mutual-benefit business relationships with customers from,Europe,America and south Asia,supplying obsolete and hard-to-find components to meet their specific needs.

With the principle of "Quality Parts,Customers Priority,Honest Operation,and Considerate Service",our business mainly focus on the distribution of electronic components. Line cards we deal with include Microchip,ALPS,ROHM,Xilinx,Pulse,ON,Everlight and Freescale. Main products comprise IC,Modules,Potentiometer,IC Socket,Relay,Connector.Our parts cover such applications as commercial,industrial, and automotives areas.

We are looking forward to setting up business relationship with you and hope to provide you with the best service and solution. Let us make a better world for our industry!



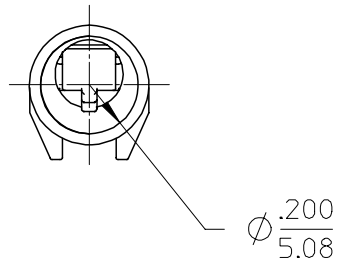
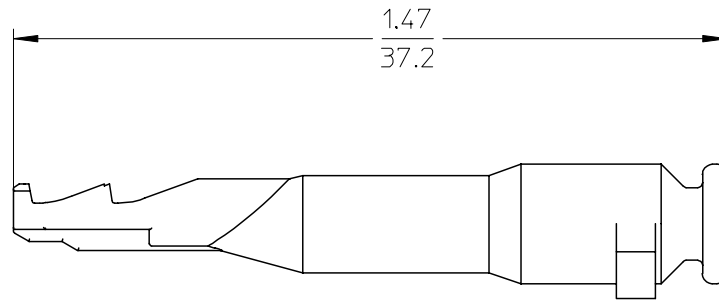
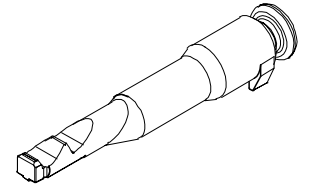
Contact us

Tel: +86-755-8981 8866 Fax: +86-755-8427 6832

Email & Skype: info@chipsmall.com Web: www.chipsmall.com

Address: A1208, Overseas Decoration Building, #122 Zhenhua RD., Futian, Shenzhen, China





NOTES:

- 1.GENERIC MATERIAL NAME: POLYBUTYLENE TEREPHTALATE
MATERIAL ABBREVIATION: PBT
COLOR: NATURAL
GLASS FILLED, UL94 V-0
- 2.PART IS DESIGNED TO BE USED ON 19432 SERIES RECEPACLE ASSEMBLIES OR 19433 SERIES PLUG ASSEMBLIES.
- 3.PART IS PACKAGED 60 STRIPS OF 10 IN A 96707-0023 CARTON. (A)

DWG UPDATE EC NO: ETC2005-0223 DRWN:BRUPERT 2005/09/01 CHKD:JPWLICK 2005/09/02 APPR:RDEROSS 2005/09/06	DESCRIPTION REV	QUALITY SYMBOLS	GENERAL TOLERANCES (UNLESS SPECIFIED)	DIMENSION STYLE	SCALE	DESIGN UNITS	THIRD ANGLE PROJECTION															
		▽=0 ▽=0	<table border="1"> <thead> <tr> <th></th> <th>mm</th> <th>INCH</th> </tr> </thead> <tbody> <tr> <td>4 PLACES</td> <td>± ---</td> <td>± ---</td> </tr> <tr> <td>3 PLACES</td> <td>± ---</td> <td>± .010</td> </tr> <tr> <td>2 PLACES</td> <td>± 0.26</td> <td>± .02</td> </tr> <tr> <td>1 PLACE</td> <td>± 0.5</td> <td>± ---</td> </tr> </tbody> </table>		mm	INCH	4 PLACES	± ---	± ---	3 PLACES	± ---	± .010	2 PLACES	± 0.26	± .02	1 PLACE	± 0.5	± ---	IN/MM	4:1	INCH	MX150 CIRCUIT PLUG 10-12,8AWG
			mm	INCH																		
		4 PLACES	± ---	± ---																		
3 PLACES	± ---	± .010																				
2 PLACES	± 0.26	± .02																				
1 PLACE	± 0.5	± ---																				
	DRAFT WHERE APPLICABLE MUST REMAIN WITHIN DIMENSIONS	DRAWN BY: BRUPERT DATE: 2004/09/22 CHECKED BY: JPWLICK DATE: 2004/09/22 APPROVED BY: RDEROSS DATE: 2004/09/22	TITLE	MOLEX INCORPORATED																		
A1			MATERIAL NO. 19431-0013	DOCUMENT NO. SD-19431-001	SHEET NO. 1 OF 1																	