



Chipsmall Limited consists of a professional team with an average of over 10 year of expertise in the distribution of electronic components. Based in Hongkong, we have already established firm and mutual-benefit business relationships with customers from,Europe,America and south Asia,supplying obsolete and hard-to-find components to meet their specific needs.

With the principle of "Quality Parts,Customers Priority,Honest Operation,and Considerate Service",our business mainly focus on the distribution of electronic components. Line cards we deal with include Microchip,ALPS,ROHM,Xilinx,Pulse,ON,Everlight and Freescale. Main products comprise IC,Modules,Potentiometer,IC Socket,Relay,Connector.Our parts cover such applications as commercial,industrial, and automotives areas.

We are looking forward to setting up business relationship with you and hope to provide you with the best service and solution. Let us make a better world for our industry!



## Contact us

Tel: +86-755-8981 8866 Fax: +86-755-8427 6832

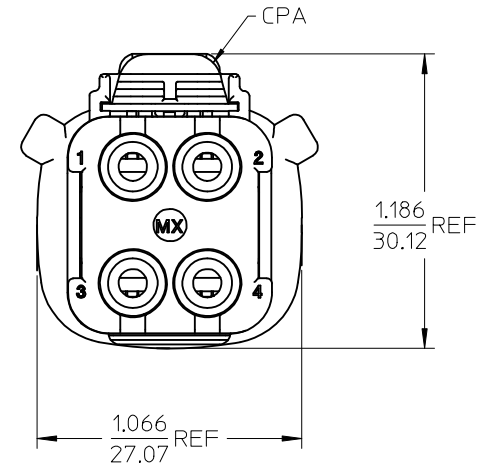
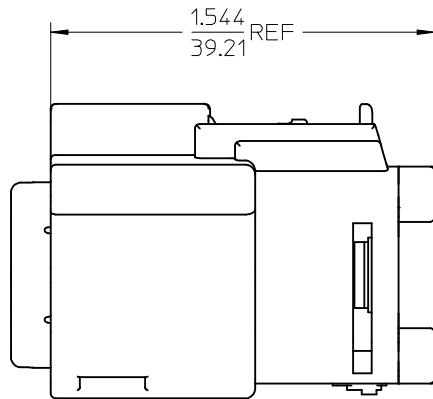
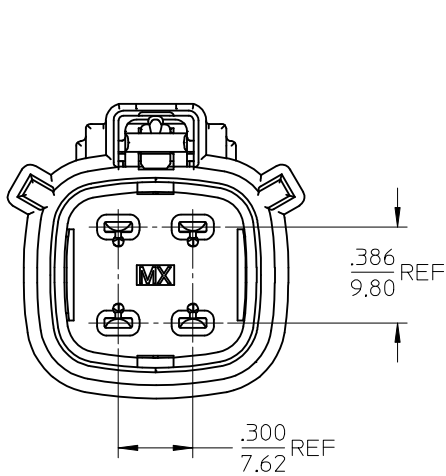
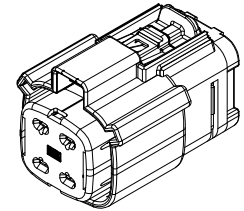
Email & Skype: info@chipsmall.com Web: www.chipsmall.com

Address: A1208, Overseas Decoration Building, #122 Zhenhua RD., Futian, Shenzhen, China



10	9	8	7
MATERIAL NUMBER	UL WIRE AWG	CPA	HOUSING COLOR
194320001	10-12	YES	BLACK
194320002	8	YES	BLACK
194320003	10-12	NO	BLACK
194320004	8	NO	BLACK
194320027	10-12	YES	GREEN
194320028	10-12	NO	GREEN
194320029	10-12	YES	GRAY
194320030	10-12	NO	GRAY

(A)



NOTES:

1. ASSEMBLY PACKAGED PER PK-19432-001
2. USE CONNECTOR WITH FEMALE CRIMP TERMINAL: SERIES 19434.

ADD COLOR OPTIONS EC NO: IFC2017-0429 DRAWN: BRUPERT 2016/11/08 CHKD: JFURPHY 2016/11/21 APPR: JFURPHY 2016/11/21	QUALITY SYMBOLS ▽=0 ▽=0	GENERAL TOLERANCES (UNLESS SPECIFIED) mm INCH 4 PLACES ± --- ± --- 3 PLACES ± --- ± .015 2 PLACES ± 0.38 ± --- 1 PLACE ± --- ± --- ANGULAR ± 1 °	DIMENSION STYLE IN/MM DRAWN BY DATE B. RUPERT 04/09/29 CHECKED BY DATE JPAWLICK 04/09/29 APPROVED BY DATE R. DEROSS 04/09/29	SCALE 2:1 DESIGN UNITS INCH	THIRD ANGLE PROJECTION	
	DRAFT WHERE APPLICABLE MUST REMAIN WITHIN DIMENSIONS			MATERIAL NO. SEE CHART	TITLE MX150L 4 WAY RECEPTACLE ASSEMBLY	MOLEX INCORPORATED
				DOCUMENT NO. SD-19432-002	SHEET NO. 1 OF 1	
	THIS DRAWING CONTAINS INFORMATION THAT IS PROPRIETARY TO MOLEX INCORPORATED AND SHOULD NOT BE USED WITHOUT WRITTEN PERMISSION					