



Chipsmall Limited consists of a professional team with an average of over 10 year of expertise in the distribution of electronic components. Based in Hongkong, we have already established firm and mutual-benefit business relationships with customers from,Europe,America and south Asia,supplying obsolete and hard-to-find components to meet their specific needs.

With the principle of “Quality Parts,Customers Priority,Honest Operation,and Considerate Service”,our business mainly focus on the distribution of electronic components. Line cards we deal with include Microchip,ALPS,ROHM,Xilinx,Pulse,ON,Everlight and Freescale. Main products comprise IC,Modules,Potentiometer,IC Socket,Relay,Connector.Our parts cover such applications as commercial,industrial, and automotives areas.

We are looking forward to setting up business relationship with you and hope to provide you with the best service and solution. Let us make a better world for our industry!



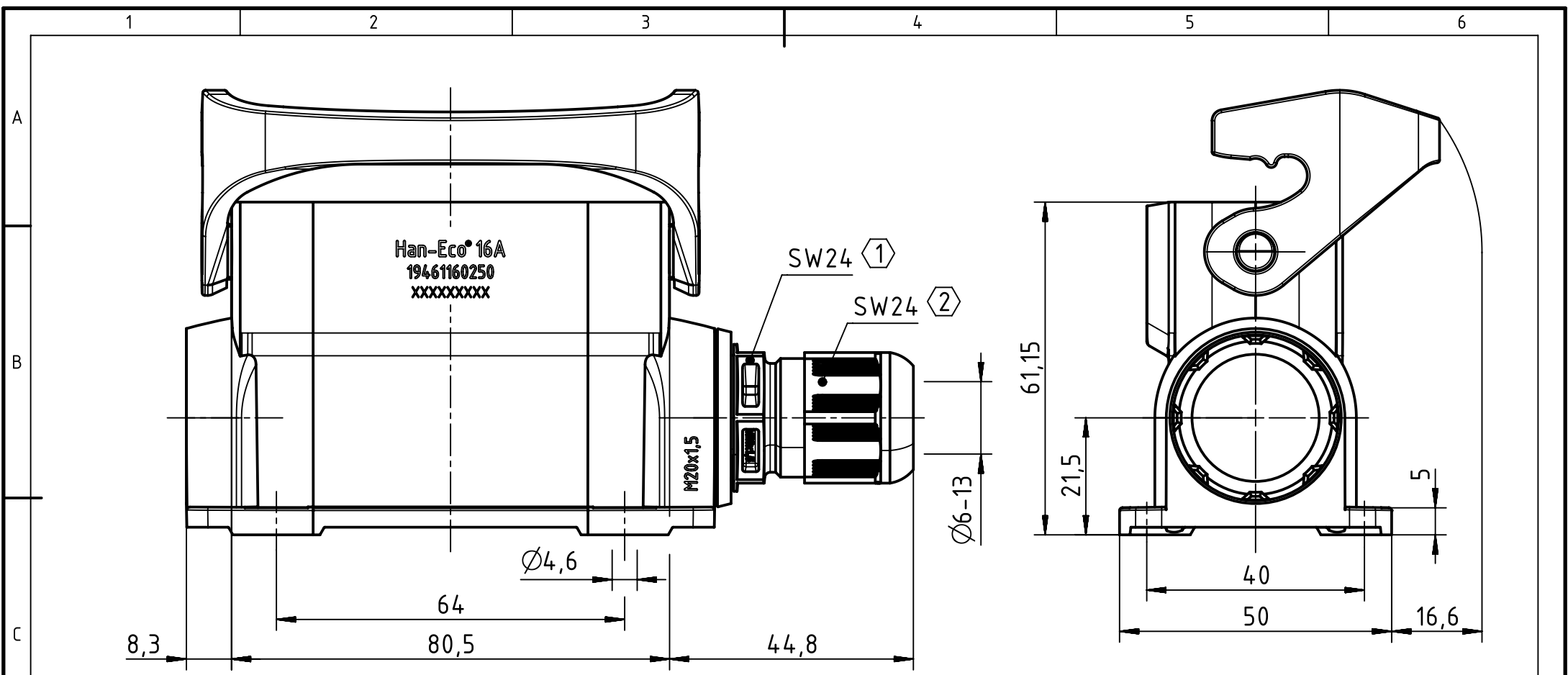
## Contact us

Tel: +86-755-8981 8866 Fax: +86-755-8427 6832

Email & Skype: info@chipsmall.com Web: www.chipsmall.com

Address: A1208, Overseas Decoration Building, #122 Zhenhua RD., Futian, Shenzhen, China





Han-Eco 16A  
19461160250  
xxxxxxxxxx

SW24 ①

SW24 ②

M20x1,5

$\varnothing 4,6$

$\varnothing 6-13$

64

80,5

44,8

61,15

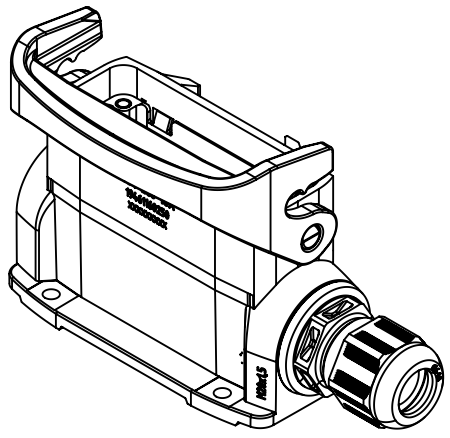
21,5

40

50


16,6

5



① tightening torque max. 4Nm

② tightening torque max. 3Nm

	All Dimensions in mm Original Size DIN A4		Scale 1:1	Free size tol.		Ref.
	All rights reserved Department EL PD - DE		Created by GRUBES	Inspected by SCHENK	Standardisation TIEMANNA	Date 2016-10-13
HARTING Electric GmbH & Co. KG D-32339 Espelkamp			Title Han-Eco 16A-HSM1-M20 w. cable gl.			Doc-Key / ECM-Nr. 100604351/UGD/001/D 500000109990
			Type TB	Number 19 46 116 0250		Rev. D Page 1/1