



Chipsmall Limited consists of a professional team with an average of over 10 year of expertise in the distribution of electronic components. Based in Hongkong, we have already established firm and mutual-benefit business relationships with customers from,Europe,America and south Asia,supplying obsolete and hard-to-find components to meet their specific needs.

With the principle of “Quality Parts,Customers Priority,Honest Operation,and Considerate Service”,our business mainly focus on the distribution of electronic components. Line cards we deal with include Microchip,ALPS,ROHM,Xilinx,Pulse,ON,Everlight and Freescale. Main products comprise IC,Modules,Potentiometer,IC Socket,Relay,Connector.Our parts cover such applications as commercial,industrial, and automotives areas.

We are looking forward to setting up business relationship with you and hope to provide you with the best service and solution. Let us make a better world for our industry!



## Contact us

Tel: +86-755-8981 8866 Fax: +86-755-8427 6832

Email & Skype: info@chipsmall.com Web: www.chipsmall.com

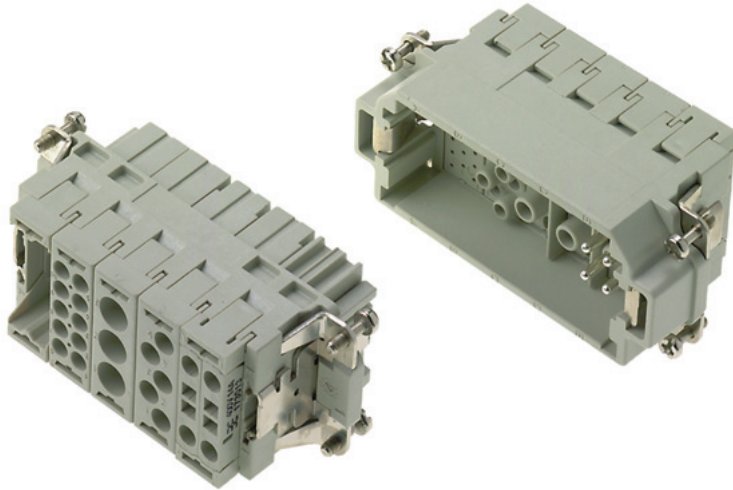
Address: A1208, Overseas Decoration Building, #122 Zhenhua RD., Futian, Shenzhen, China



# RockStar® ConCept modular system

<b>RockStar® ConCept modular system</b>	Overview	C.2
	ConCept modules	C.3
	ConCept bus modules	C.12
	ConCept RJ45 modules	C.18
	ConCept module frame	C.20
	ModuFlex C	C.52

# RockStar® ConCept modular system



ConCept is a modular system consisting of modules and frames. Together they form a complete insert that integrates without difficulty into an HDC housing.

The system allows you to choose combinations of different modules yourself and insert them in a frame.

## The following modules are available:

- ConCept modules for conventional conductors
- ConCept bus modules for fieldbus connections
- ConCept fiber optic modules
- ConCept pneumatic modules

## You have two alternatives:

1. Combine modules with a ConCept module frame which you then integrate as an insert into an HDC housing.
2. Insert the modules individually into ModuFlex-C coupling frames and lock these frames together to form a block. In IP20 environments, this block is optionally used:
  - on mounting rails
  - in cable trays
  - on flat surfaces

## The advantages:

- You save space – you need only one plug-in connector with ConCept inserts instead of several plug-in connectors with conventional fixed pole inserts.
- You save costs – because you only need one plug-in connector instead of many.

CM-3 Concept module / turned contacts



Technical Data

Contact inserts

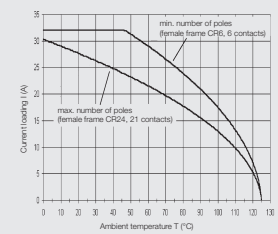
Rated current	40 A
Rated voltage (UL/CSA)	690 V / 600 V
Rated impulse withstand voltage	8.0 kV
Pollution severity	3
Insulation resistance	10 <sup>12</sup> Ω
Overvoltage category	III
Volume resistance	≤ 4mΩ
UL 94 flammability class	V-0

Contacts

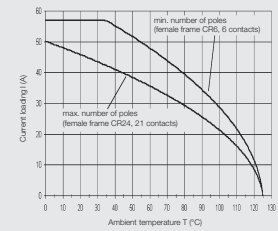
Contact dia.	3.6 mm
Connection cross-section	1.5-10 mm <sup>2</sup>
AWG conductor	AWG 16-AWG 7
Base material	Copper alloy
Silver surface	3 μm
Gold surface	

Note

For conductor cross-sections of 6 mm<sup>2</sup> to 10 mm<sup>2</sup>, you must use ring cable lugs at the connection to the PE conductor. With the 690 V rated voltage, this also covers three-phase 4-wire or 3-wire AC-voltage systems with rated voltages up to 690 V - to DIN EN 60664-1 according. When used properly and as designated, the listed connectors may not be connected or disconnected if there is a live voltage or load!



ConCept module CM-3  
Conductor H07V-K 4.0 mm<sup>2</sup>



ConCept module CM-3  
Conductor H07V-K 10.0 mm<sup>2</sup>

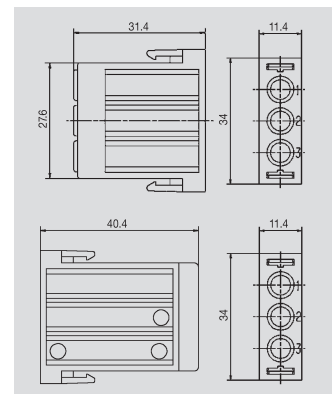
Modules

Crimp connection



Insert	Designation	Order No.
Pin	HDC CM 3 MC	1758360000
Socket	HDC CM 3 FC	1758370000
Pin	HDC CM 3 MC MR	1879030000
Socket	HDC CM 3 FC MR	1879040000

Note MR = module release lever



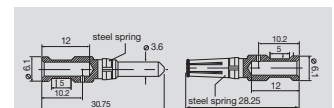
Accessories

Crimp contacts

Surface finish silver



Qty.	Male	Order No.	Female	Order No.
100	HDC-C-M3-SM1.5AG	1698120000	HDC-C-M3-BM1.5AG	1698130000
100	HDC-C-M3-SM2.5AG	1698140000	HDC-C-M3-BM2.5AG	1698150000
100	HDC-C-M3-SM4.0AG	1682260000	HDC-C-M3-BM4.0AG	1682270000
100	HDC-C-M3-SM6.0AG	1682280000	HDC-C-M3-BM6.0AG	1682290000
100	HDC-C-M3-SM10.0AG	1682300000	HDC-C-M3-BM10.0AG	1682310000



Conductor cross-section	Insulation stripping length
1.50 mm <sup>2</sup>	AWG 16 10 mm
2.50 mm <sup>2</sup>	AWG 14 10 mm
4.00 mm <sup>2</sup>	AWG 12 10 mm
6.00 mm <sup>2</sup>	AWG 10 10 mm
10.00 mm <sup>2</sup>	AWG 7 10 mm

Tools



Order No.
9018480000
1866710000

## ConCept modules

### CM-HE Concept module / turned contacts

#### Technical Data

##### Contact inserts

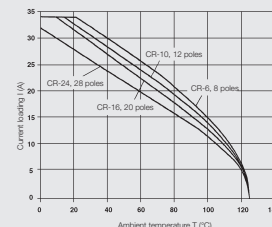
Rated current	25 A
Rated voltage (UL/CSA)	630 V / 600 V
Rated impulse withstand voltage	8.0 kV
Pollution severity	3
Insulation resistance	10 <sup>12</sup> Ω
Overvoltage category	III
Volume resistance	≤ 4mΩ
UL 94 flammability class	V-0

##### Contacts

Contact dia.	2.5 mm
Connection cross-section	0.5-4 mm <sup>2</sup>
AWG conductor	AWG 20-AWG 12
Base material	Copper alloy
Silver surface	3 μm
Gold surface	0.8 μm

##### Note

For conductor cross-sections ≤ 0.75 mm<sup>2</sup>, you must use wire-end ferrules at the connection to the PE conductor.  
When used properly and as designated, the listed connectors may not be connected or disconnected if there is a live voltage or load!



ConCept module CM-HE  
Conductor H07V-K 4.0 mm<sup>2</sup>

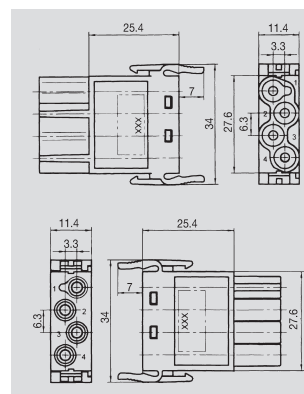
## Modules

### Crimp connection



Insert	Designation	Order No.
Pin	HDC CM HE 4 MC	1861920000
Socket	HDC CM HE 4 FC	1861900000
Pin	HDC CM HE 4 MC MR	1758340000
Socket	HDC CM HE 4 FC MR	1758350000

Note MR = module release lever



## Accessories

### Crimp contacts

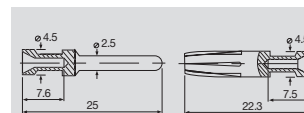
Surface finish silver



Surface finish gold



Qty.	Male	Order No.	Female	Order No.
100	HDC-C-HE-SM0.5AG	1200500000	HDC-C-HE-BM0.5AG	1201100000
100	HDC-C-HE-SM0.75-1AG	1200600000	HDC-C-HE-BM0.75-1AG	1201200000
100	HDC-C-HE-SM1.5AG	1200700000	HDC-C-HE-BM1.5AG	1201300000
100	HDC-C-HE-SM2.5AG	1200800000	HDC-C-HE-BM2.5AG	1201400000
100	HDC-C-HE-SM4.0AG	1200900000	HDC-C-HE-BM4.0AG	1201500000
100	HDC-C-HE-SM0.5AU	1651420000	HDC-C-HE-BM0.5AU	1651470000
100	HDC-C-HE-SM0.75-1AU	1651430000	HDC-C-HE-BM0.75-1AU	1651480000
100	HDC-C-HE-SM1.5AU	1651440000	HDC-C-HE-BM1.5AU	1651490000
100	HDC-C-HE-SM2.5AU	1651450000	HDC-C-HE-BM2.5AU	1651500000
100	HDC-C-HE-SM4.0AU	1651460000	HDC-C-HE-BM4.0AU	1651510000



Conductor cross-section	Insulation stripping length
0.50 mm <sup>2</sup>	AWG 20 7.5 mm
0.75 - 1.00 mm <sup>2</sup>	AWG 18 7.5 mm
1.50 mm <sup>2</sup>	AWG 16 7.5 mm
2.50 mm <sup>2</sup>	AWG 14 7.5 mm
4.00 mm <sup>2</sup>	AWG 12 7.5 mm

### Tools



Crimping tool	Order No.
CTX CM 1.6/2.5	9018490000
Contact removal tool	Order No.
Removal Tool HE	1866750000

CM-4 Concept module with tension spring connection



Technical Data

Contact inserts

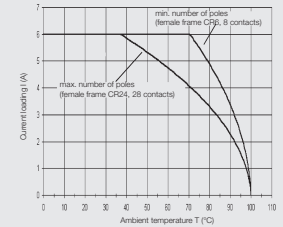
Rated current	14 A
Rated voltage (UL/CSA)	400 V / 600 V
Rated impulse withstand voltage	6.0 kV
Pollution severity	3
Insulation resistance	10 <sup>12</sup> Ω
Overvoltage category	III
Volume resistance	1.5 mΩ
UL 94 flammability class	V-0

Contacts

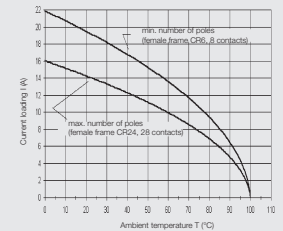
Contact dia.	2.5 mm
Connection cross-section	0.5-2.5 mm <sup>2</sup>
AWG conductor	AWG 20-AWG 14
Base material	Copper alloy
Silver surface	3 μm
Gold surface	

Note

For conductor cross-sections ≤ 0.75 mm<sup>2</sup>, you must use wire-end ferrules at the connection to the PE conductor.  
When used properly and as designated, the listed connectors may not be connected or disconnected if there is a live voltage or load!



ConCept module CM-4BZF/4SZF  
Conductor H05V-K 0.5 mm<sup>2</sup>



ConCept module CM-4BZF/4SZF  
Conductor H07V-K 2.5 mm<sup>2</sup>

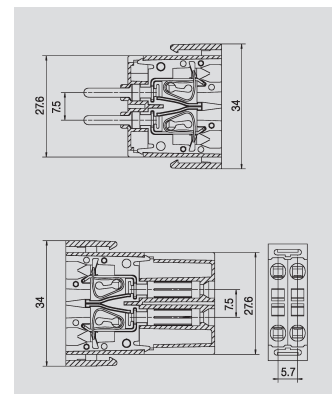
Modules

Tension clamp connection



Insert	Designation	Order No.
Pin	HDC-CM-4SZF AG	1730120000
Socket	HDC-CM-4BZF AG	1730130000

Note



## ConCept modules

### CM-5 Concept module / turned contacts

#### Technical Data

##### Contact inserts

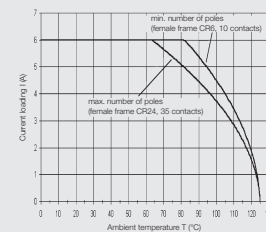
Rated current	20 A
Rated voltage (UL/CSA)	250 V / 600 V
Rated impulse withstand voltage	6.0 kV
Pollution severity	3
Insulation resistance	10 <sup>12</sup> Ω
Overvoltage category	III
Volume resistance	≤ 4mΩ
UL 94 flammability class	V-0

##### Contacts

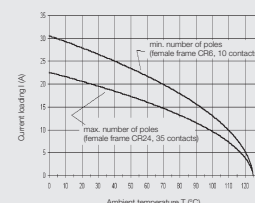
Contact dia.	2.5 mm
Connection cross-section	0.75-4 mm <sup>2</sup>
AWG conductor	AWG 18-AWG 12
Base material	Copper alloy
Silver surface	3 μm
Gold surface	

##### Note

For conductor cross-sections ≤ 0.75 mm<sup>2</sup>, you must use wire-end ferrules at the connection to the PE conductor.  
When used properly and as designated, the listed connectors may not be connected or disconnected if there is a live voltage or load!



ConCept module CM-5  
Conductor H05V-K 0.5 mm<sup>2</sup>



ConCept module CM-5  
Conductor H07V-K 4.0 mm<sup>2</sup>

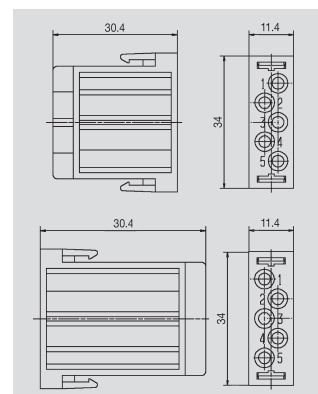
## Modules

### Crimp connection



Insert	Designation	Order No.
Pin	HDC CM 5 MC	1758380000
Socket	HDC CM 5 FC	1758390000
Pin	HDC CM 5 MC MR	1879020000
Socket	HDC CM 5 FC MR	1879010000

Note MR = module release lever



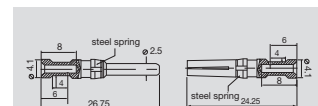
## Accessories

### Crimp contacts

Surface finish silver



Qty.	Male	Order No.	Female	Order No.
100	HDC-C-M5-SM0.5AG	1682320000	HDC-C-M5-BM0.5AG	1682330000
100	HDC-C-M5-SM0.75-1.0AG	1682340000	HDC-C-M5-BM0.75-1.0AG	1682350000
100	HDC-C-M5-SM1.5AG	1682360000	HDC-C-M5-BM1.5AG	1682370000
100	HDC-C-M5-SM2.5AG	1682380000	HDC-C-M5-BM2.5AG	1682390000
100	HDC-C-M5-SM4.0AG	1682400000	HDC-C-M5-BM4.0AG	1682410000



Conductor cross-section	Insulation stripping length
0.75 - 1.00 mm <sup>2</sup>	AWG 18 7 mm
1.50 mm <sup>2</sup>	AWG 16 7 mm
2.50 mm <sup>2</sup>	AWG 14 7 mm
4.00 mm <sup>2</sup>	AWG 12 7 mm

### Tools



Crimping tool	Order No.
CTX CM 1.6/2.5	9018490000
Contact removal tool	Order No.
Removal Tool CM 5	1866720000

CM-10 Concept module / turned contacts



Technical Data

Contact inserts

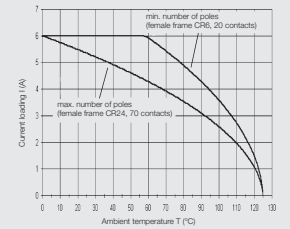
Rated current	10 A
Rated voltage (UL/CSA)	250 V / 600 V
Rated impulse withstand voltage	4.0 kV
Pollution severity	3
Insulation resistance	10 <sup>11</sup> Ω
Overvoltage category	III
Volume resistance	≤ 4mΩ
UL 94 flammability class	V-0

Contacts

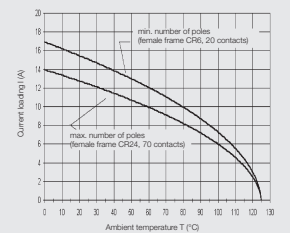
Contact dia.	1.6 mm
Connection cross-section	0.14-2.5 mm <sup>2</sup>
AWG conductor	AWG 26-AWG 14
Base material	Copper alloy
Silver surface	3 μm
Gold surface	0.8 μm

Note

For conductor cross-sections ≤ 0.75 mm<sup>2</sup>, you must use wire-end ferrules at the connection to the PE conductor.  
When used properly and as designated, the listed connectors may not be connected or disconnected if there is a live voltage or load!



ConCept module CM-10  
Conductor H05V-K 0.5 mm<sup>2</sup>



ConCept module CM-10  
Conductor H07V-K 2.5 mm<sup>2</sup>

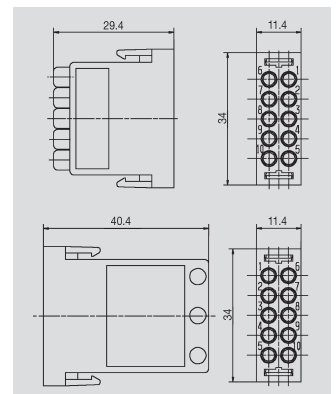
Modules

Crimp connection



Insert	Designation	Order No.
Pin	HDC CM 10 MC	1758400000
Socket	HDC CM 10 FC	1758410000
Pin	HDC CM 10 MC MR	1862050000
Socket	HDC CM 10 FC MR	1862030000

Note MR = module release lever



Accessories

Crimp contacts

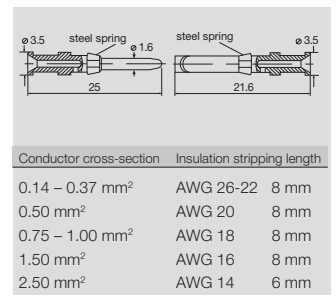
Surface finish silver



Surface finish gold



Qty.	Male	Order No.	Female	Order No.
100	HDC-C-HD-SM0.14-0.37AG	1651520000	HDC-C-HD-BM0.14-0.37AG	1651570000
100	HDC-C-HD-SM0.5AG	1651530000	HDC-C-HD-BM0.75-1AG	1601760000
100	HDC-C-HD-SM0.75-1AG	1601750000	HDC-C-HD-BM0.5AG	1651580000
100	HDC-C-HD-SM1.5AG	1651550000	HDC-C-HD-BM1.5AG	1651600000
100	HDC-C-HD-SM2.5AG	1651560000	HDC-C-HD-BM2.5AG	1651610000
100	HDC-C-HD-SM0.14-0.37AU	1651620000	HDC-C-HD-BM0.14-0.37AU	1651670000
100	HDC-C-HD-SM0.5AU	1651630000	HDC-C-HD-BM0.5AU	1651680000
100	HDC-C-HD-SM0.75-1AU	1651640000	HDC-C-HD-BM0.75-1AU	1651690000
100	HDC-C-HD-SM1.5AU	1651650000	HDC-C-HD-BM1.5AU	1651700000
100	HDC-C-HD-SM2.5AU	1651660000	HDC-C-HD-BM2.5AU	1651710000



Tools



Crimping tool	Order No.
CTX CM 1.6/2.5	9018490000
Contact removal tool	Order No.
Removal Tool HD	1866730000



## ConCept modules

### CM-20 Concept modules / stamped contacts



#### Technical Data

##### Contact inserts

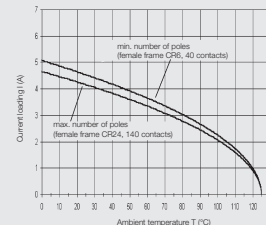
Rated current	4 A
Rated voltage	100 V
Rated impulse withstand voltage	1.5 kV
Pollution severity	3
Insulation resistance	$10^{12} \Omega$
Overvoltage category	III
Volume resistance	$\leq 4m\Omega$
UL 94 flammability class	V-0

##### Contacts

Contact dia.	1 mm
Connection cross-section	0.08-0.52 mm <sup>2</sup>
AWG conductor	AWG 28-AWG 20
Base material	Copper alloy
Silver surface	
Gold surface	0.8 $\mu$ m

##### Note

For conductor cross-sections  $\leq 0.75 \text{ mm}^2$ , you must use wire-end ferrules at the connection to the PE conductor.  
When used properly and as designated, the listed connectors may not be connected or disconnected if there is a live voltage or load!



ConCept-Modul CM-20  
AWG-Conductor 20/19

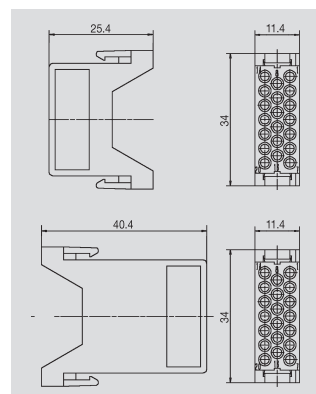
## Modules

### Crimp connection



Insert	Designation	Order No.
Pin	HDC-CM-20SCG GR	1758420000
Socket	HDC-CM-20BCG GR	1758430000

##### Note



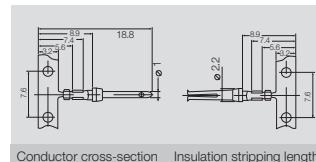
## Accessories

### Crimp contacts

Surface finish gold



Qty.	Male	Order No.	Female	Order No.
500	HDC-C-M20-SCG0.08-0.2AU	1682420000	HDC-C-M20-BCG0.08-0.2AU	1682430000
500	HDC-C-M20-SCG0.2-0.52AU	1682440000	HDC-C-M20-BCG0.2-0.52AU	1682450000



Conductor cross-section	Insulation stripping length
0.08 – 0.20 mm <sup>2</sup> AWG 28-24	2.5+0.5 mm
0.20 – 0.52 mm <sup>2</sup> AWG 24-20	2.5+0.5 mm

### Tools



Crimping tool	Order No.
HDC-CM-20	1700900000
Contact removal tool	Order No.
Removal Tool CM 20	1866740000

## CM-3 HV



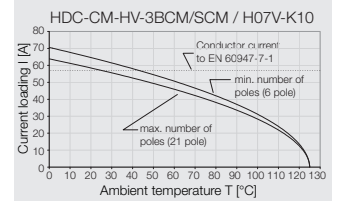
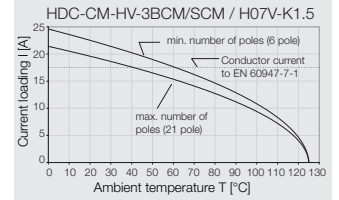
### Technical Data

#### Contact inserts

Rated current	57 A
Rated voltage (UL/CSA)	1000 V / 600 V
Rated impulse withstand voltage	8.0 kV
Pollution severity	3
Insulation resistance	10 <sup>12</sup> Ω
Overvoltage category	III
Volume resistance	≤ 4mΩ
UL 94 flammability class	V-0

#### Contacts

Contact dia.	3.6 mm
Connection cross-section	1.5-10 mm <sup>2</sup>
AWG conductor	AWG 16-AWG 7
Base material	Copper alloy
Silver surface	3 μm
Gold surface	



#### Note

For conductor cross-sections of 6 mm<sup>2</sup> to 10 mm<sup>2</sup>, you must use ring cable lugs at the connection to the PE conductor.  
When used properly and as designated, the listed connectors may not be connected or disconnected if there is a live voltage or load!

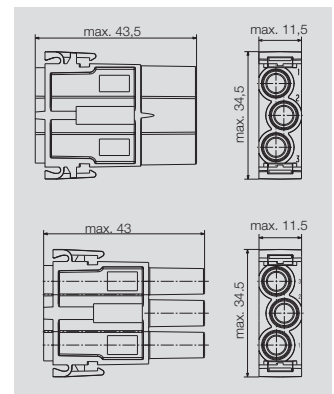
### Modules

#### Crimp connection



Insert	Designation	Order No.
Pin	HDC CM HV 3 MC	1862080000
Socket	HDC CM HV 3 FC	1862060000
Pin	HDC CM HV 3 MC MR	1862000000
Socket	HDC CM HV 3 FC MR	1862070000

Note MR = module release lever



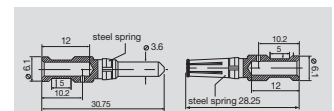
### Accessories

#### Crimp contacts

Surface finish silver



Qty.	Male	Order No.	Female	Order No.
100	HDC-C-M3-SM1.5AG	1698120000	HDC-C-M3-BM1.5AG	1698130000
100	HDC-C-M3-SM2.5AG	1698140000	HDC-C-M3-BM2.5AG	1698150000
100	HDC-C-M3-SM4.0AG	1682260000	HDC-C-M3-BM4.0AG	1682270000
100	HDC-C-M3-SM6.0AG	1682280000	HDC-C-M3-BM6.0AG	1682290000
100	HDC-C-M3-SM10.0AG	1682300000	HDC-C-M3-BM10.0AG	1682310000



Conductor cross-section	Insulation stripping length
1.50 mm <sup>2</sup>	AWG 16 10 mm
2.50 mm <sup>2</sup>	AWG 14 10 mm
4.00 mm <sup>2</sup>	AWG 12 10 mm
6.00 mm <sup>2</sup>	AWG 10 10 mm
10.00 mm <sup>2</sup>	AWG 7 10 mm

#### Tools



Crimping tool	Order No.
CTX CM 3.6	9018480000
Contact removal tool	Order No.
Removal Tool CM 3	1866710000

## ConCept modules

### CM High Current Module



#### Technical Data

##### Contact inserts

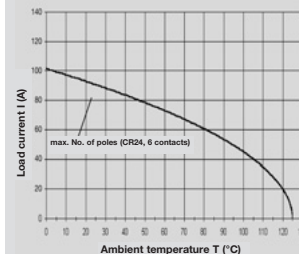
Rated current	82 A
Rated voltage	1000 V
Rated impulse withstand voltage	6.0 kV
Pollution severity	3
Insulation resistance	10 <sup>12</sup> Ω
Mechanical service life	Plugging cycles ≥ 500
Overvoltage category	III
Volume resistance	≤ 4 mΩ
UL 94 flammability class	V-0

##### Contacts

Contact dia.	
Connection cross-section	4-16 mm <sup>2</sup>
Tightening torque	1.2 Nm
AWG conductor	AWG 12-AWG 6
Base material	copper alloy
Silver surface	3 μm
Gold surface	

##### Note

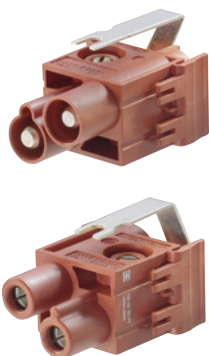
The modules have a double-module design and occupy two places in the ConCept module frame. Use modules only in conjunction with wire-end ferrules.



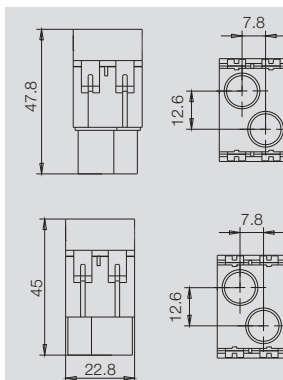
ConCept-Modul CM-2  
Conductor 16 mm<sup>2</sup>

## Modules

### Screw connection



Insert	Designation	Order No.
Male	HDC CM 1 MS + PE	1828390000
Female	HDC CM 1 FS + PE	1828410000

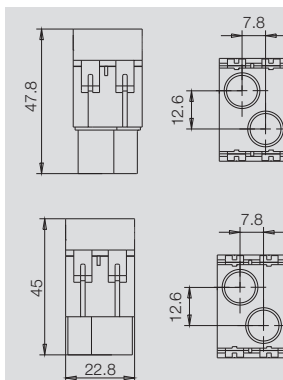


## Modules

### Screw connection



Insert	Designation	Order No.
Male	HDC CM 2 MS	1828380000
Female	HDC CM 2 FS	1828400000



CM Pneumatic



Technical data

Contact inserts

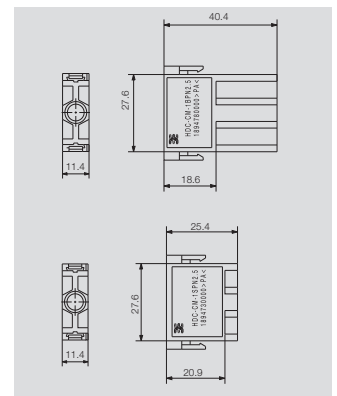
Material of modules	PA 6.6 GF
Material of pneumatic valves	Ms 58 brass
Connection diameter of hose (inside)	2.5 mm or 4 mm
Outside diameter of hose, maximum	8 mm
Temperature range	-20 °C to 100 °C
Operating pressure of the modules	10 bar
Travel	4 mm

**Note** valve → socket side  
 When dealing with liquids or gas of any type through pneumatic modules, it is very important to remember that no current-carrying modules are permitted in the same housings.

Modules



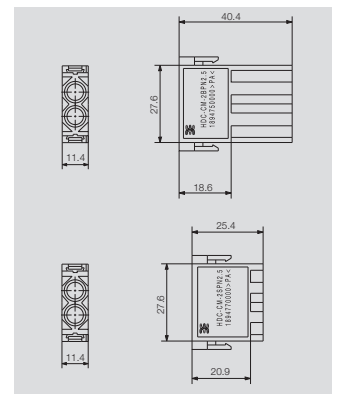
Insert	Designation	Order No.
Male	HDC-CM-1SPN2.5	1894730000
Female	HDC-CM-1BPN2.5	1894780000
Male	HDC-CM-1SPN4.0	1894740000
Female	HDC-CM-1BPN4.0	1894720000



Modules



Insert	Designation	Order No.
Male	HDC-CM-2SPN2.5	1894770000
Female	HDC-CM-2BPN2.5	1894750000
Male	HDC-CM-2SPN4.0	1894710000
Female	HDC-CM-2BPN4.0	1894760000



# ConCept bus module for screened wires

Concept bus is ideal for transmitting highly sensitive signals in heavy-duty connectors.

Modules of the ConCept heavy-duty connector system offer many functions in a very small space with reliable protection from electromagnetic fields, moisture, dust and extreme mechanical loads.

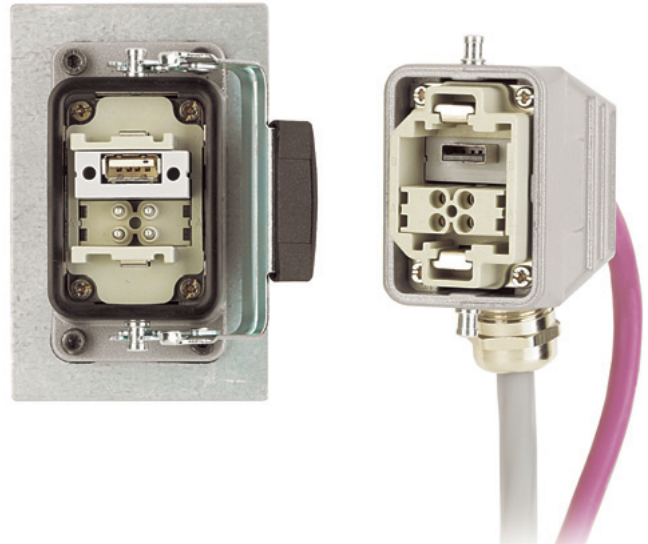
By combining these with other modules, the power supply and other signals for the field device can be connected in a single plug-in connector.

The **Profibus-DP module with T-Connector function** enables uninterrupted operation of the fieldbus during servicing or when replacing a field device. The fieldbus system no longer has to be switched off, as was the case in the past, because the field device can simply be connected or disconnected during operation using the heavy-duty connector – “plug and play” now available for the first time for fieldbus solutions. The same heavy-duty connector also provides a reliable power supply for the connected fieldbus device.

On one side, Weidmüller uses the robust USB plug as connection system for the Profibus DP modules. This guarantees a high transmission rate of 1.5 Mbit/s and at least 200 plugging cycles. On the other side, screw terminals are used to connect the screened Profibus cables.

## Advantages

- Simple screw connection
- Simple screen connection



## Versions

- Bus connector  
**HDC CM BUS 4 ...**  
for screened wires  
(for connecting 4 wires and screen)



- Bus connector with integrated T-exit  
**HDC CM BUS 2 ... PDP**  
for screened wires  
(Profibus-DP solution = 2 wires and screen)



**Technical data**

Material data	HDC CM BUS 4 ...	HDC CM BUS 2 ... PDP
Insulation	Glass fiber reinforced PC	
Color	Gray (similar to RAL 7032)	
Temperature range	-20 °C to +85 °C	

**System characteristics**

Connection technology	Screw connection	
No. of poles	4 + screen	2 + screen
Conductor capacity	0.08 ... 1.5 mm <sup>2</sup> AWG 28 ... 16	As Profibus DP
Stripping length 5 mm		
Clamping capacity (outer diameter of cable screen)	2.1 ... 7 mm	
Stripped sheath length 19 mm		

**Rated data to VDE 0627**

Rated current	1 A	
Rated voltage	30 V	
Transmission rate	max. 12 Mbit/s	

**Clamping torques**

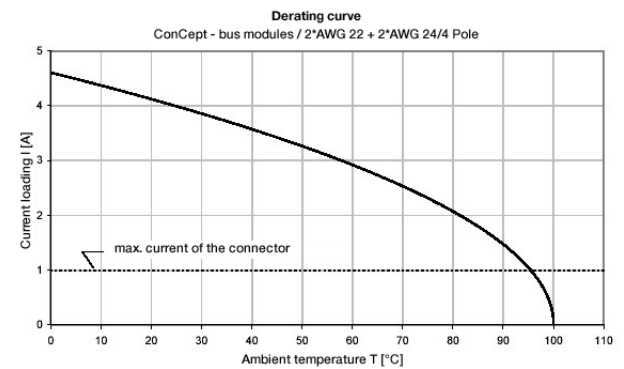
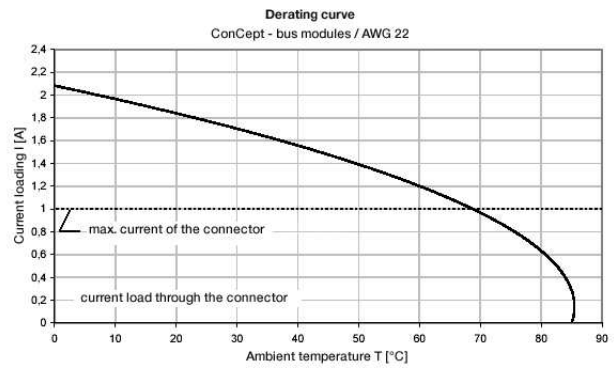
Screen clip	0.5 – 0.6 Nm	
PCB terminal	0.2 – 0.3 Nm	

**Assembly instructions**

- Use wire end ferrules
- Clamp screen braid under clip
- Use specified torque settings
- Place module at the far end of the frame with the connection side to the outside
- Only use high housings

**Note:** Also take note of the assembly instructions enclosed with the product.

**Derating curves**



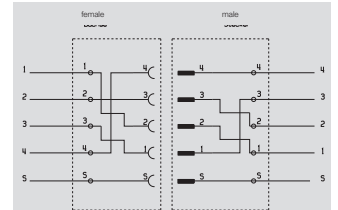
## ConCept bus modules

### Bus connectors

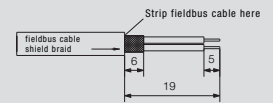
4 poles

### Technical data

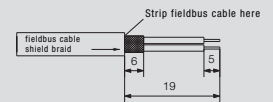
Rated voltage	1 A
Rated current	30 V
Qty	5



#### male module



#### female module

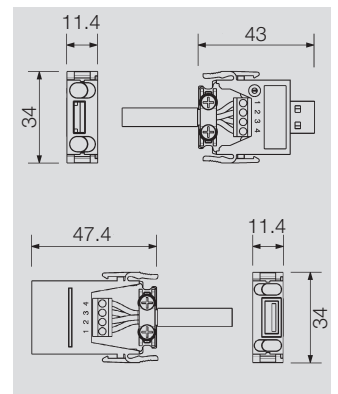


### Information

## Module



Insert	Type	Order No.
male	HDC CM BUS 4SS	1814310000
female	HDC CM BUS 4BS	1814300000

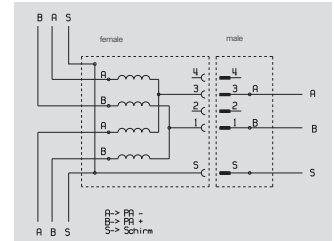


Bus connector with integrated T-exit

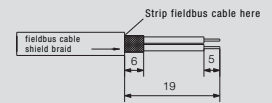
2 poles

Technical data

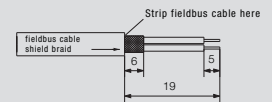
Rated voltage	1 A
Rated current	30 V
Qty	5



male module



female module



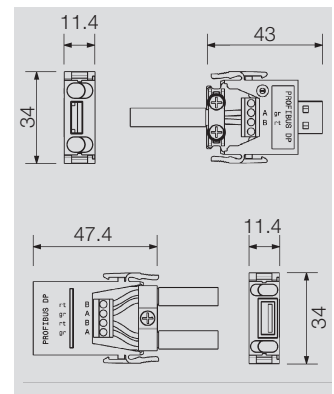
Information

The Profibus topology is the line structure. The branches (T-pieces) connect the individual field devices or remote I/Os to the bus cable. The length of the spur depends on the transmission rate and should be as short as possible. IEC 61158 specifies that with a transmission rate of 1.5 Mbit/s per segment, spur lengths of up to 6.6 m are permitted. Source: Profibus Directive, Order No. 2.111 Version 1.0

Module



Insert	Type	Order No.
male	HDC CM BUS 2SS PDP A	1806060000
female	HDC CM BUS 2BS T PDP C	1806030000

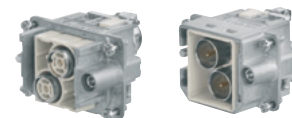




## ConCept bus modules

### ConCept system bus

#### Shielded module



#### Technical data

Standards	DIN EN 61984 IEC 60664
No. contacts	2...16 poles for signal transmission
Conductor connection system	Crimp
Rated current	10 A
Rated voltage	50 V
Shield	Shield connected to contact carrier using cable clamp
Outside diameter of shielded cable	3 to 6 mm and/or 6 to 9.5 mm
Degree of pollution	3
Rated impulse withstand voltage	0.8 kV
Conductor clamping ranges	0.5 mm <sup>2</sup> ... 1.5 mm <sup>2</sup> AWG 26 ... AWG 16
Contact resistance	< 2 mΩ
Contacts (crimp)	Refer to HD contacts
Contact material	Copper alloy
Surface	
Crimp contact	Passivated silver or gold-plated
Contact carrier	Zinc alloy
Temperature range	-40 °C ... +70 °C
Material – module	Glass-fiber reinforced PC (in UL list and approved for railway applications)
Flammability to UL 94	V-0
Frame material	Die cast zinc
Surface of frame	CuNi
Frame earthing (ground)	Leading grounding contact; double-sided PE connection

#### Note

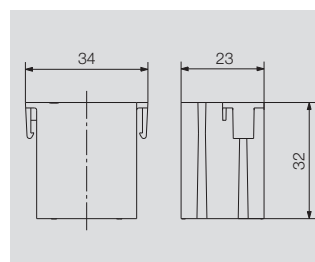
The modules have a double-module design and occupy two places in the ConCept module frame.  
When used properly and as designated, the listed connectors may not be connected or disconnected if there is a live voltage or load!

## Modules

### Female receptacle module



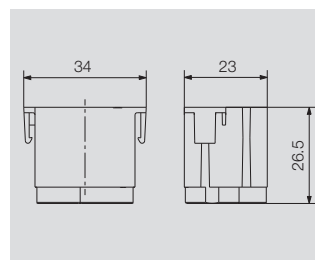
Designation	Type	Order No.
HDC CM BUS SV F2	Female socket module	1983720000



### Male receptacle module

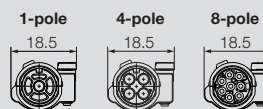
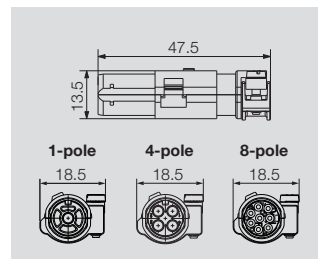


Designation	Type	Order No.
HDC CM BUS SV M2	Male pin module	1983750000

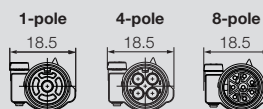
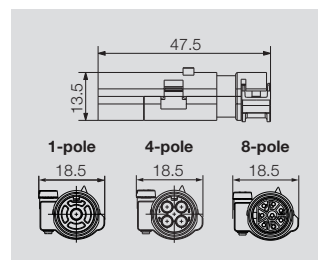




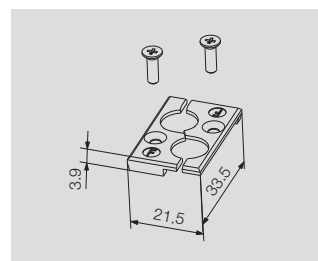
Designation	Type	Order No.
HDC CM BUS SV F1 CT	1-poles Females socket contact	1983800000
HDC CM BUS SV F4 CT	4-poles Females socket contact	1983770000
HDC CM BUS SV F8 CT	8-poles Females socket contact	1043120000



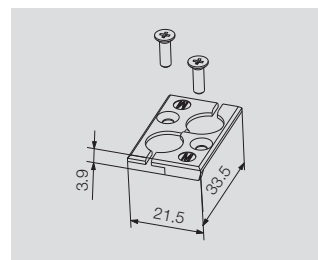
Designation	Type	Order No.
HDC CM BUS SV M1 CT	1-poles Male pin contact	1983810000
HDC CM BUS SV M4 CT	4-poles Male pin contact	1983790000
HDC CM BUS SV M8 CT	8-poles Male pin contact	1043130000



Designation	Type	Order No.
HDC CM BUS SV GCA F	Grounding connection adapter plate	1983820000



Designation	Type	Order No.
HDC CM BUS SV GCA M	Grounding connection adapter plate	1014080000



## ConCept RJ45 Modules

### The ConCept RJ45 Modules

#### RJ45 module with 4 additional power contacts



#### Technical data

Standards		IEC 60664 IEC 60512
RJ45 module		Cat 5 acc. to ISO / IEC 11801
No. of poles	extra contacts / RJ45	4 / 8
Rated voltage	extra contacts / RJ45	400 V AC / 125 V AC
Rated impulse withstand voltage	extra contacts / RJ45	6 kV / 1.8 kV
Voltage proof	extra contacts / RJ45	3.51 kV / 1.0 kV
Rated current	extra contacts / RJ45	13 A (1) / 1.5 A
Volume (contact) resistance	extra contacts / RJ45	≤ 5 mΩ / ≤ 20 mΩ
Insulation resistance	extra contacts / RJ45	10 <sup>10</sup> mΩ / 5 <sup>9</sup> mΩ
Transmission rate		1.5 Mbit/s
Wire-connection method	extra contacts / RJ45	crimp, patch cable
Wire clamping range		0.5 - 2.5 mm <sup>2</sup>
Flammability class acc. to UL 94		V-0
Temperature range		-20 °C...+80 °C
Plug and pull forces		15-20N - max. 20N
Mating cycles		≥ 500
<b>Materials</b>		
Contact insert		PA 6.6 GF
Insert color		black
Contact carrier		CuZn / CuSn
Contact surface		Ag (silver) Au (gold)
Extra contacts (crimp)		HD
Stripping length (Insulation)		see HD contacts
Accessories		9009030000 SD 0.4 x 2.5 x 75
<b>Screwdriver</b>		
Contact release tool		1866730000 Removal Tool HD

<sup>(1)</sup> 2 modules, 40 °C ambient temperature, 1.5 mm<sup>2</sup>

**Note:** EN 60603-7:1997 stipulates that the RJ45 connector must not have any of the reinforcing plastic protruding over any side of the protective shield. The modules have a double-module design and occupy two places in the ConCept module frame.

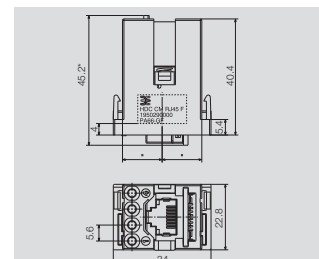
## Modules

### Female



Designation	Order No.
HDC CM RJ45 F	1950290000

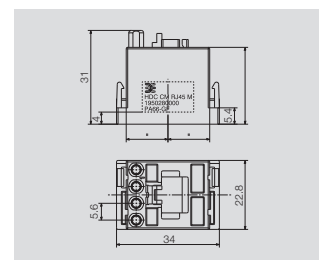
**Note:** CAT5 suitable, acc. to ISO/IEC 11801



### Male



Designation	Order No.
HDC CM RJ45 M	1950280000





## ConCept module frame

Size 3

CR6 ConCept frame, plastic

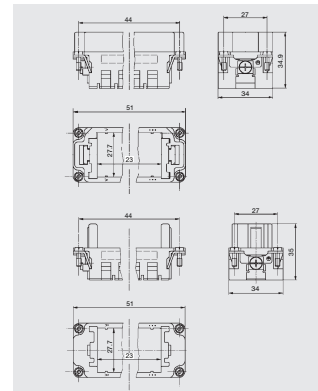
### Frame

Screw connection



Frame	Designation	Order No.
Pin	HDC-CR6-2S GR	1758440000
Socket	HDC-CR6-2B GR	1758450000

**Note** For 2 modules



Size 3

CR6 ConCept frame, metal

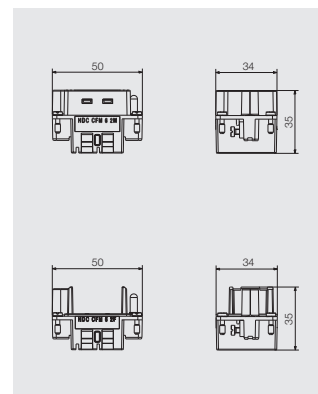
### Frame

Screw connection



Frame	Designation	Order No.
Pin	HDC CFM 6 2M	1983830000
Socket	HDC CFM 6 2F	1983840000

**Note** For 2 modules



**RockStar® Housings IP65 / IP66 / NEMA Type 4X**  
**End locking, lower side**  
**Size 3**

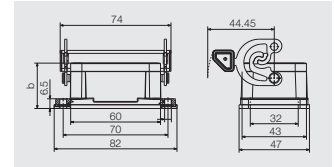


**Base**

**Bulkhead housing**



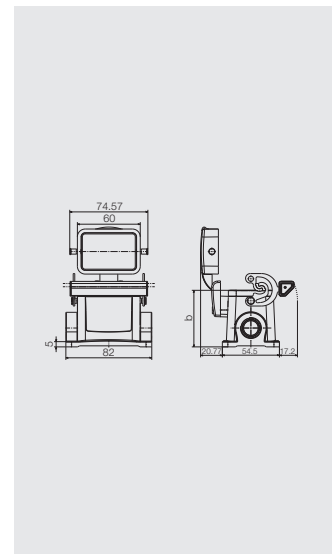
Version	Cover	b (mm)	Designation	Order No.
	without cover	29	HDC 06B ALU	1202100000
	with cover	47	HDC 06B ADLU	1202500000



**Base housing**



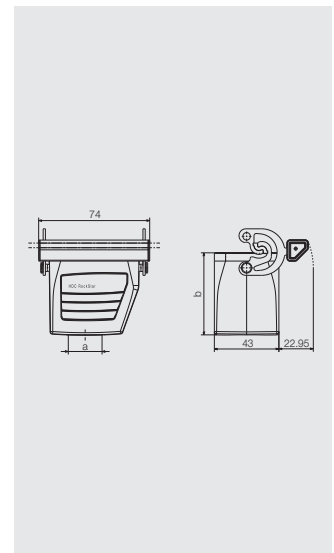
a	Version	Cover	b (mm)	Designation	Order No.
M20	w. threading	without cover	54	HDC 06B SLU 1M20G	1900460000
M20	w. threading	with cover	72	HDC 06B SDLU 1M20G	1900360000
M20	w. threading	without cover	54	HDC 06B SLU 2M20G	1788140000
M20	w. threading	with cover	72	HDC 06B SDLU 2M20G	1788170000
M25	w. threading	without cover	54	HDC 06B SLU 1M25G	1900480000
M25	w. threading	with cover	72	HDC 06B SDLU 1M25G	1900380000
M25	w. threading	without cover	74	HDC 16D SLU 1M25G	1900880000
M25	w. threading	with cover	92	HDC 16D SDLU 1M25G	1900820000
M25	w. threading	without cover	54	HDC 06B SLU 2M25G	1788130000
M25	w. threading	without cover	74	HDC 16D SLU 2M25G	1787520000
M25	w. threading	with cover	92	HDC 16D SDLU 2M25G	1787540000
M25	w. threading	with cover	72	HDC 06B SDLU 2M25G	1788160000
M32	w. threading	without cover	74	HDC 16D SLU 1M32G	1900900000
M32	w. threading	without cover	74	HDC 16D SLU 2M32G	1787510000
PG 16	w. threading	without cover	54	HDC 06B SLU 1PG16G	1652750000
PG 16	w. threading	with cover	72	HDC 06B SDLU 1PG16G	1652980000
PG 16	w. threading	without cover	54	HDC 06B SLU 2PG16G	1652760000
PG 16	w. threading	with cover	72	HDC 06B SDLU 2PG16G	1652990000
PG 21	w. threading	without cover	74	HDC 16D SLU 2PG21G	1652840000



**Coupling housing**



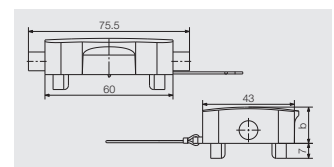
a	Version	Cover	b (mm)	Designation	Order No.
M25	w. threading	without cover	55	HDC 06B KLU 1M25G	1021330000
PG 16	w. threading	without cover	55	HDC 06B KLU 1PG16G	1653200000
PG 21	w. threading	without cover	75	HDC 16D KLU 1PG21G	1653230000



**Cover**



Version	Designation	Order No.
For bases (lower parts of housings)	HDC 06B DODL 2BO	1665200000



RockStar® Housings IP65 / IP66 / NEMA Type 4X  
End locking, lower side  
Size 3

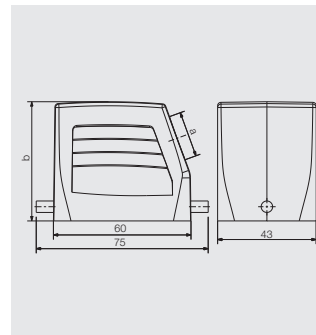


Hood

Plug housing, cable entry sideways



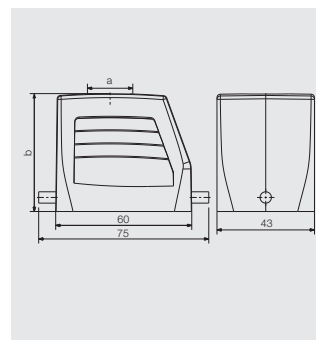
a	Version	Cover	b (mm)	Designation	Order No.
M20	w. threading	without cover 52		HDC 06B TSLU 1M20G	<b>1788100000</b>
M25	w. threading	without cover 52		HDC 06B TSLU 1M25G	<b>1788090000</b>
M25	w. threading	without cover 72		HDC 16D TSLU 1M25G	<b>1787480000</b>
M32	w. threading	without cover 72		HDC 16D TSLU 1M32G	<b>1787470000</b>
PG 13.5	w. threading	without cover 52		HDC 06B TSLU 1PG13G	<b>1670530000</b>
PG 16	w. threading	without cover 52		HDC 06B TSLU 1PG16G	<b>1652520000</b>
PG 21	w. threading	without cover 72		HDC 16D TSLU 1PG21G	<b>1652560000</b>
PG 29	w. threading	without cover 72		HDC 16D TSLU 1PG29G	<b>1652580000</b>



Plug housing, cable entry at top



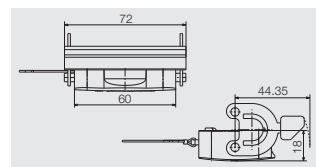
a	Version	Cover	b (mm)	Designation	Order No.
M20	w. threading	without cover 52		HDC 06B TOLU 1M20G	<b>1788120000</b>
M25	w. threading	without cover 52		HDC 06B TOLU 1M25G	<b>1788110000</b>
M25	w. threading	without cover 72		HDC 16D TOLU 1M25G	<b>1787500000</b>
M32	w. threading	without cover 72		HDC 16D TOLU 1M32G	<b>1787490000</b>
PG 13.5	w. threading	without cover 52		HDC 06B TOLU 1PG13G	<b>1670500000</b>
PG 16	w. threading	without cover 52		HDC 06B TOLU 1PG16G	<b>1652640000</b>
PG 21	w. threading	without cover 72		HDC 16D TOLU 1PG21G	<b>1652680000</b>
PG 29	w. threading	without cover 72		HDC 16D TOLU 1PG29G	<b>1652700000</b>



Cover



Version	Designation	Order No.
For hoods (upper parts of housings)	HDC 06B DMDL 1LB	<b>1665210000</b>



Size 4

CR10 ConCept frame, plastic



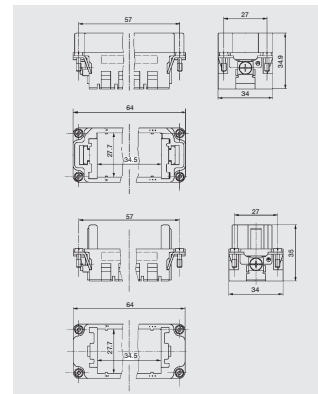
Frame

Screw connection



Frame	Designation	Order No.
Pin	HDC-CR10-3S GR	1758460000
Socket	HDC-CR10-3B GR	1758470000

**Note** For 3 modules



C

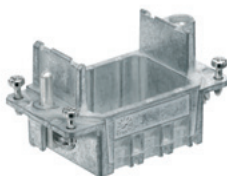
Size 4

CR10 ConCept frame, metal



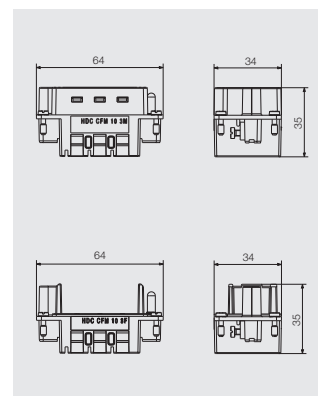
Frame

Screw connection



Frame	Designation	Order No.
Pin	HDC CFM 10 3M	1983850000
Socket	HDC CFM 10 3F	1983860000

**Note** For 3 modules





RockStar® Housings IP65 / IP66 / NEMA Type 4X  
Side locking, lower side  
Size 4

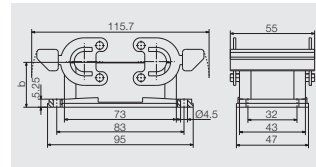


Base

Bulkhead housing



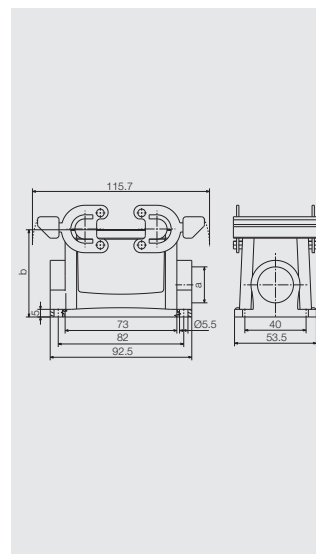
Version	Cover	b (mm)	Designation	Order No.
	without cover	29,3	HDC 10B ABU	1205000000



Base housing



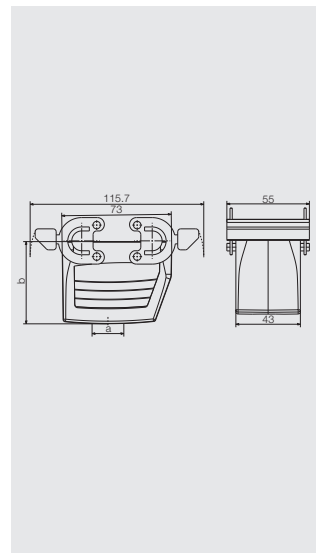
a	Version	Cover	b (mm)	Designation	Order No.
M20	w. threading	without cover	57	HDC 10B SBU 1M20G	1901360000
M20	w. threading	without cover	57	HDC 10B SBU 2M20G	1787640000
M25	w. threading	without cover	57	HDC 10B SBU 1M25G	1901370000
M25	w. threading	without cover	57	HDC 10B SBU 2M25G	1787630000
M25	w. threading	without cover	74	HDC 24D SBU 1M25G	1903210000
M25	w. threading	without cover	74	HDC 24D SBU 2M25G	1787350000
M32	w. threading	without cover	74	HDC 24D SBU 1M32G	1903220000
M32	w. threading	without cover	74	HDC 24D SBU 2M32G	1787360000
PG 16	w. threading	without cover	57	HDC 10B SBU 1PG16G	1654370000
PG 16	w. threading	without cover	57	HDC 10B SBU 2PG16G	1654380000
PG 21	w. threading	without cover	74	HDC 24D SBU 2PG21G	1654450000
PG 29	w. threading	without cover	74	HDC 24D SBU 1PG29G	1654470000



Coupling housing



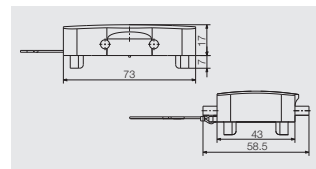
a	Version	Cover	b (mm)	Designation	Order No.
M20	w. threading	without cover	55	HDC 10B KBU 1M20G	1787720000
PG 16	w. threading	without cover	55	HDC 10B KBU 1PG16G	1654580000



Cover



Version	Designation	Order No.
For bases (lower parts of housings)	HDC 10B DODQ 4BO	1665230000



**RockStar® Housings IP65 / IP66 / NEMA Type 4X**  
**Side locking, lower side**  
**Size 4**

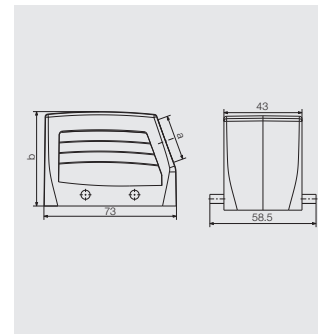


**Hood**

**Plug housing, cable entry sideways**



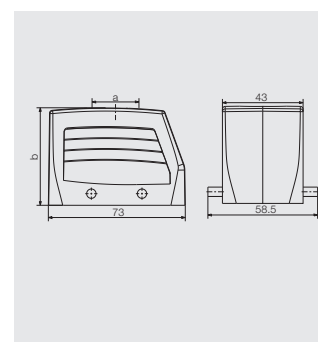
a	Version	Cover	b (mm)	Designation	Order No.
M20	w. threading	without cover 52		HDC 10B TSBU 1M20G	<b>1787560000</b>
M25	w. threading	without cover 52		HDC 10B TSBU 1M25G	<b>1787550000</b>
M25	w. threading	without cover 72		HDC 24D TSBU 1M25G	<b>1787240000</b>
M32	w. threading	without cover 72		HDC 24D TSBU 1M32G	<b>1787230000</b>
PG 16	w. threading	without cover 52		HDC 10B TSBU 1PG16G	<b>1654070000</b>
PG 21	w. threading	without cover 52		HDC 10B TSBU 1PG21G	<b>1654090000</b>
PG 21	w. threading	without cover 72		HDC 24D TSBU 1PG21G	<b>1654150000</b>
PG 29	w. threading	without cover 72		HDC 24D TSBU 1PG29G	<b>1654170000</b>



**Plug housing, cable entry at top**



a	Version	Cover	b (mm)	Designation	Order No.
M20	w. threading	without cover 52		HDC 10B TOBU 1M20G	<b>1787600000</b>
M25	w. threading	without cover 52		HDC 10B TOBU 1M25G	<b>1787590000</b>
M25	w. threading	without cover 72		HDC 24D TOBU 1M25G	<b>1787300000</b>
M32	w. threading	without cover 72		HDC 24D TOBU 1M32G	<b>1787290000</b>
PG 16	w. threading	without cover 52		HDC 10B TOBU 1PG16G	<b>1654220000</b>
PG 21	w. threading	without cover 52		HDC 10B TOBU 1PG21G	<b>1654240000</b>
PG 29	w. threading	without cover 72		HDC 24D TOBU 1PG29G	<b>1654320000</b>



**Cover**



Version	Designation	Order No.
For hoods (upper parts of housings)	HDC 10B DMDQ 2QB	<b>1665240000</b>

