



Chipsmall Limited consists of a professional team with an average of over 10 year of expertise in the distribution of electronic components. Based in Hongkong, we have already established firm and mutual-benefit business relationships with customers from,Europe,America and south Asia,supplying obsolete and hard-to-find components to meet their specific needs.

With the principle of "Quality Parts,Customers Priority,Honest Operation,and Considerate Service",our business mainly focus on the distribution of electronic components. Line cards we deal with include Microchip,ALPS,ROHM,Xilinx,Pulse,ON,Everlight and Freescale. Main products comprise IC,Modules,Potentiometer,IC Socket,Relay,Connector.Our parts cover such applications as commercial,industrial, and automotives areas.

We are looking forward to setting up business relationship with you and hope to provide you with the best service and solution. Let us make a better world for our industry!



Contact us

Tel: +86-755-8981 8866 Fax: +86-755-8427 6832

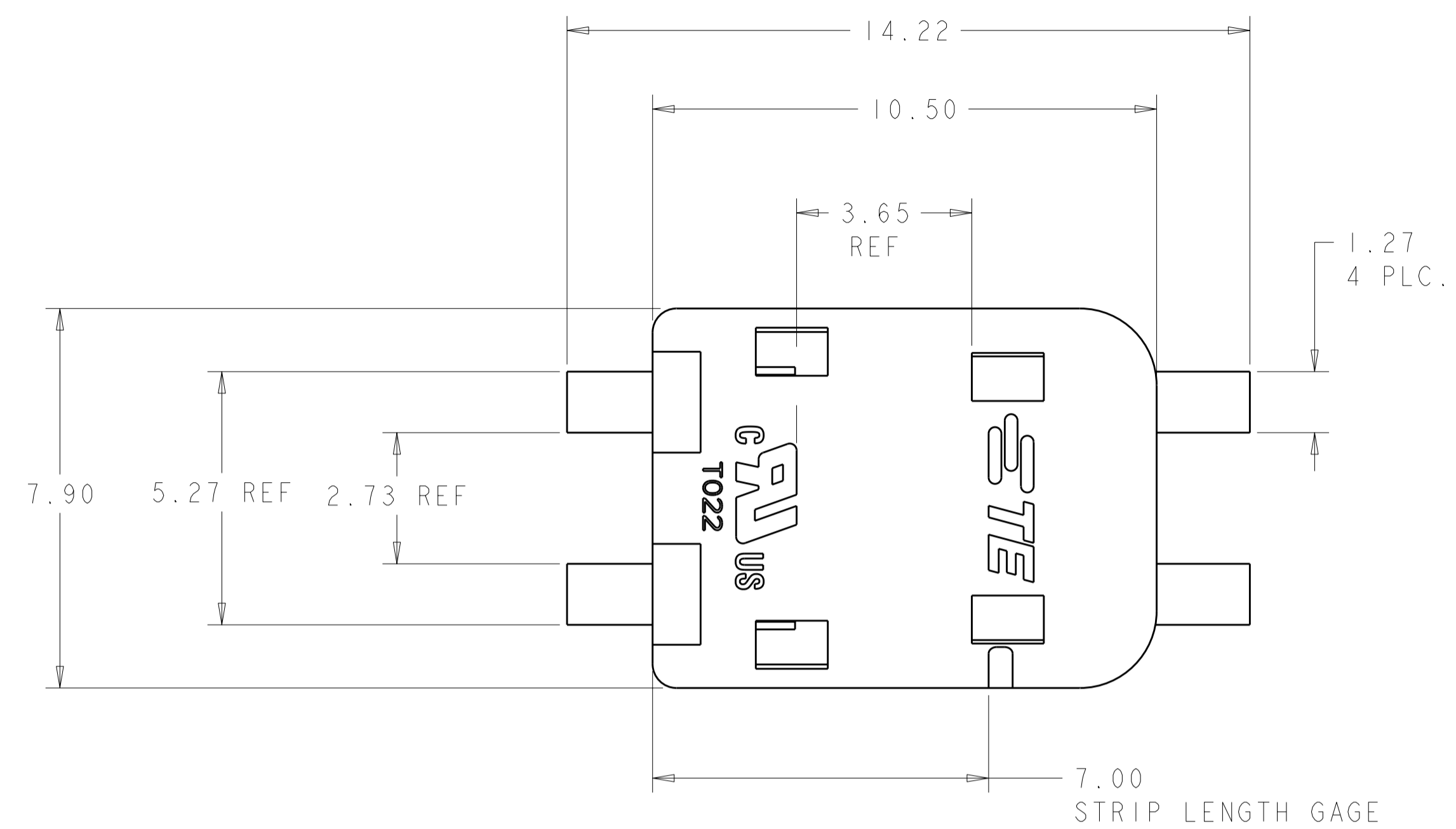
Email & Skype: info@chipsmall.com Web: www.chipsmall.com

Address: A1208, Overseas Decoration Building, #122 Zhenhua RD., Futian, Shenzhen, China

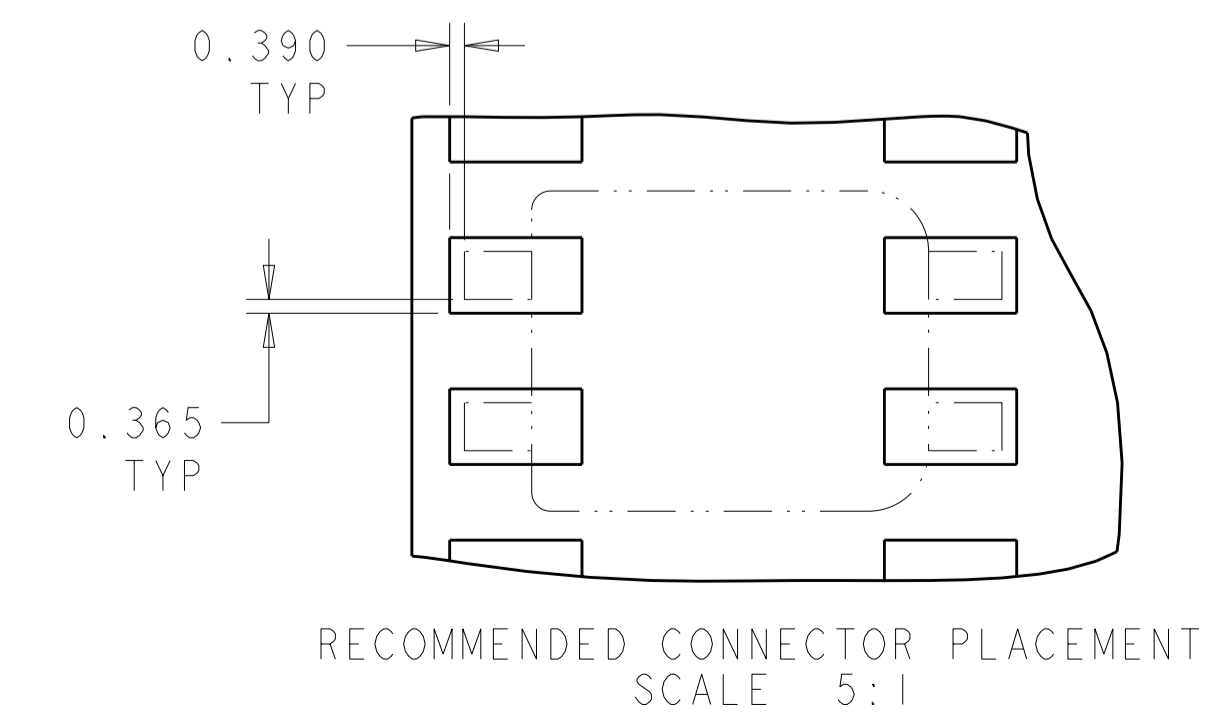
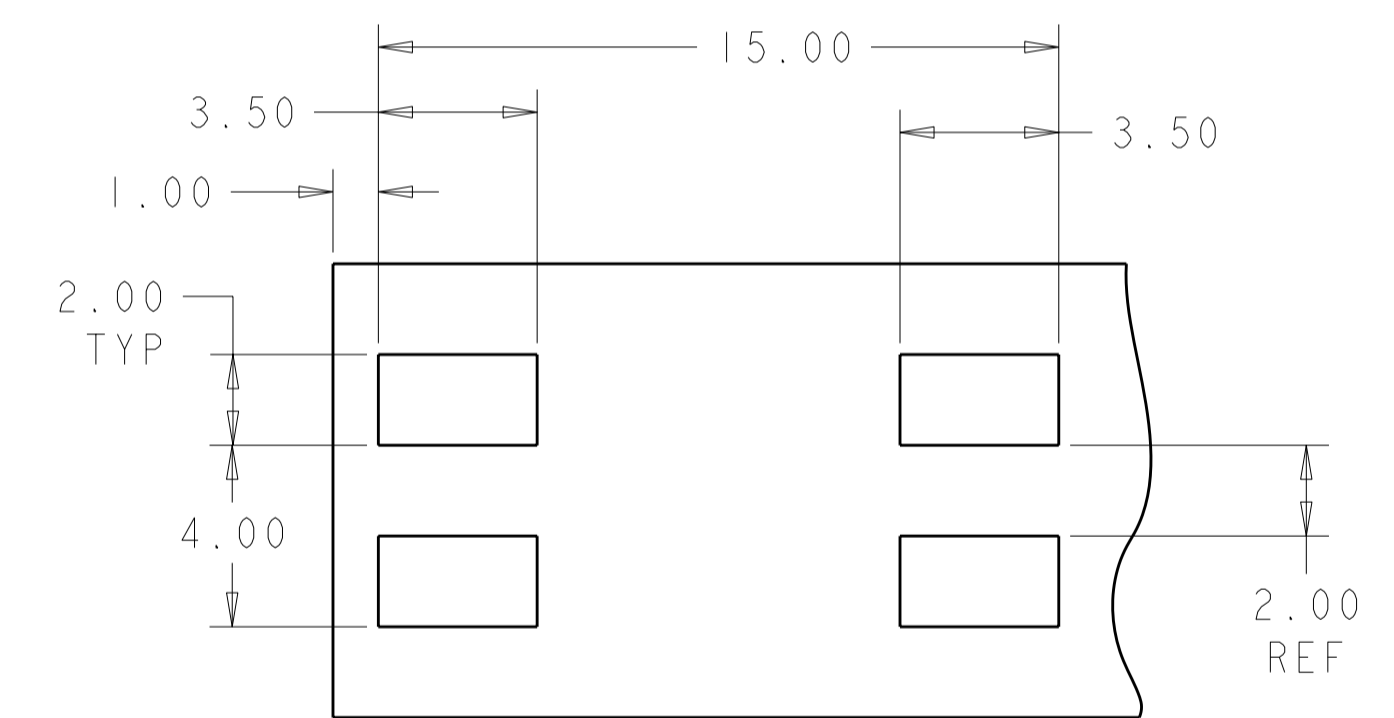
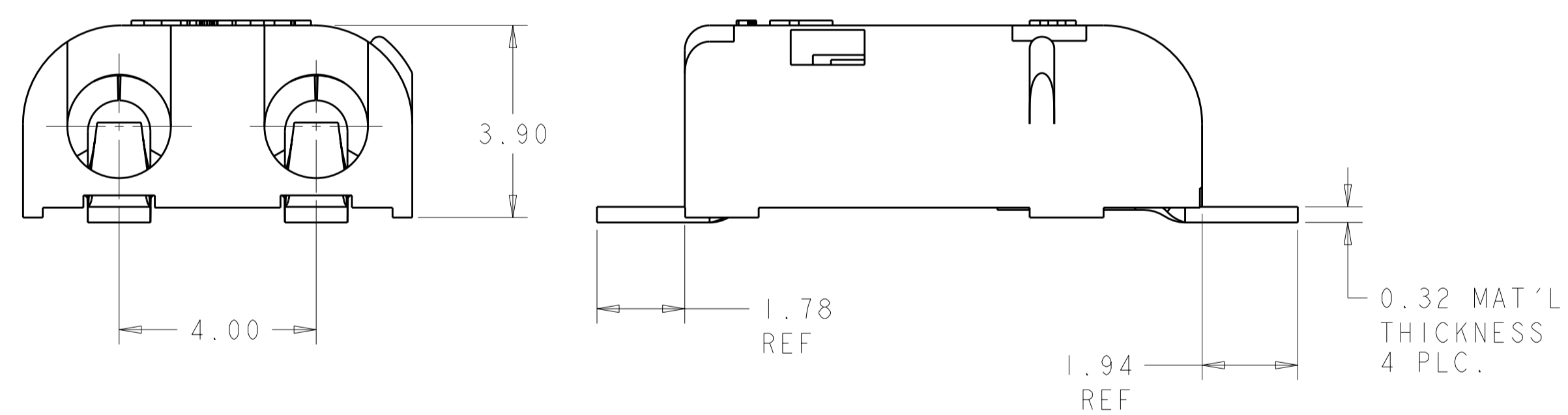


THIS DRAWING IS UNPUBLISHED. RELEASED FOR PUBLICATION 20
 © COPYRIGHT 20 BY - ALL RIGHTS RESERVED.

REVISIONS					
P	LTR	DESCRIPTION	DATE	DWN	APVD
A7		REVISED PER ECO-11-004587	11MAR2011	RK	HMR
A8		REVISED PER ECR-11-011090	03JUN2011	SK	DD



- NOTES :
- 1. MATERIALS AND FINISH:
 - HOUSING: LCP, COLOR: WHITE
 - CONTACTS: COPPER ALLOY, FINISH: TIN
 - 2. MUST COMPLY WITH DIRECTIVE 2002/95/EC (ROHS)
 - 3. THIS PRODUCT HAS NOT COMPLETED VALIDATION TESTING
 - 4. WIRE TYPES AND SIZES ACCEPTED
 18, 20 AND 22 AWG SOLID WIRE
 18 AND 20 AWG PREBOND STRANDED WIRE
 18 AWG STRANDED WIRE (16 STRAND COUNT)
 MAX INSULATION OD: 2.10 MM (.083")
 STRIP LENGTH: 7.0±1.0 (.276")
 - 5. MATERIAL AND FINISH:
 - HOUSING: LCP, COLOR: BLACK.
 - CONTACTS: COPPER ALLOY, FINISH: TIN
 - 6. PACKAGED IN TAPE AND REEL

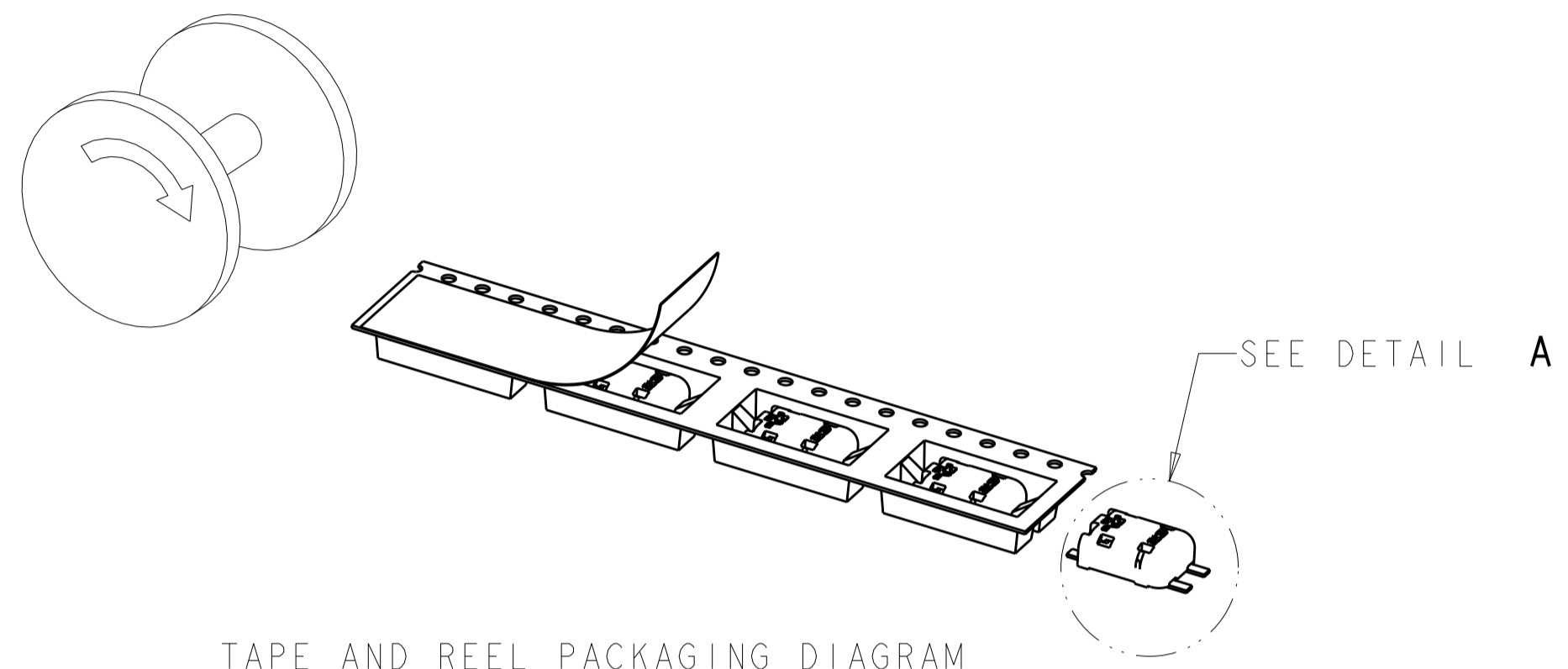


OBSELETE	1	WHITE	1954097-3
6	5	BLACK	1-1954097-1
6	1	WHITE	1954097-1
PACKAGING	MATERIAL	COLOR	PART NO.

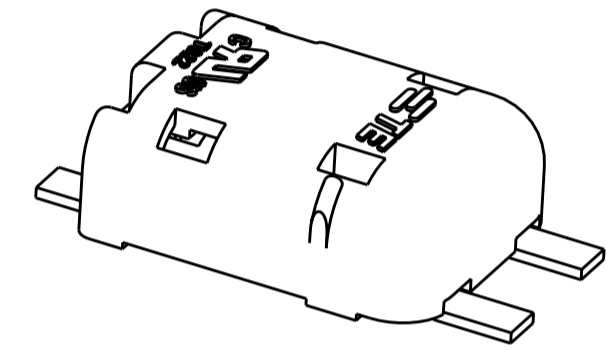
THIS DRAWING IS A CONTROLLED DOCUMENT.		DWN C. DAILY 06JUN2006	STE TE Connectivity	
DIMENSIONS: mm		CHK S. HORST 06JUN2006		
TOLERANCES UNLESS OTHERWISE SPECIFIED:		APVD J.K. KNOLL 25OCT2007	NAME POKE-IN LED CONNECTOR ASSEMBLY, 2 POSITION SMT	
0 PLC ±		PRODUCT SPEC 108-2284	SIZE CAGE CODE DRAWING NO RESTRICTED TO	
1 PLC ±0.2		APPLICATION SPEC 114-13194	A200779C-1954097	
2 PLC ±0.10		WEIGHT -	SCALE 7:1 SHEET 1 OF 2 REV A8	
3 PLC ±		CUSTOMER DRAWING		
4 PLC ±				
ANGLES ±3°				
FINISH				
SEE TABLE	SEE TABLE			

THIS DRAWING IS UNPUBLISHED. RELEASED FOR PUBLICATION 20
 © COPYRIGHT 20 BY ALL RIGHTS RESERVED.

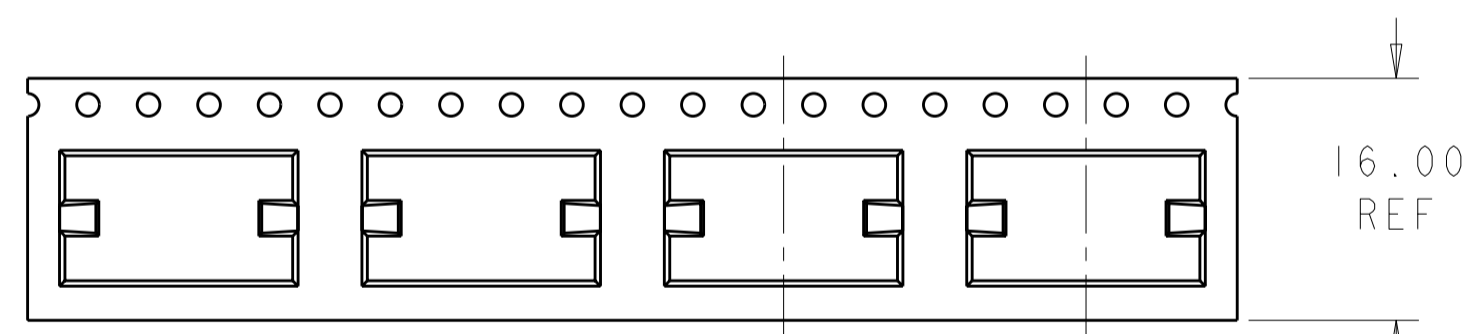
LOC	DIST	REVISIONS				
P	LTR	DESCRIPTION	DATE	DWN	APVD	
AF	50	-	SEE SHEET 1	-	-	



TAPE AND REEL PACKAGING DIAGRAM
 FOR 1954097-1 & 1-1954097-1



DETAIL A
 SCALE 5:1



20.00 REF
 TYP

SCALE 2:1

THIS DRAWING IS A CONTROLLED DOCUMENT.		DWN C. DAILY 06JUN2006	TE Connectivity	
DIMENSIONS: mm		CHK S. HORST 06JUN2006		
TOLERANCES UNLESS OTHERWISE SPECIFIED:		APVD J.K. KNOLL 25OCT2007	NAME POKE-IN LED CONNECTOR ASSEMBLY, 2 POSITION SMT	
0 PLC ± 1 PLC ±0.2 2 PLC ±0.10 3 PLC ± 4 PLC ±		PRODUCT SPEC 108-2284	SIZE A200779	
MATERIAL SEE TABLE		FINISH SEE TABLE	DRAWING NO C-1954097	
		WEIGHT -	RESTRICTED TO -	
		CUSTOMER DRAWING	SCALE 7:1	SHEET 2 OF 2 REV A8