



Chipsmall Limited consists of a professional team with an average of over 10 year of expertise in the distribution of electronic components. Based in Hongkong, we have already established firm and mutual-benefit business relationships with customers from,Europe,America and south Asia,supplying obsolete and hard-to-find components to meet their specific needs.

With the principle of "Quality Parts,Customers Priority,Honest Operation,and Considerate Service",our business mainly focus on the distribution of electronic components. Line cards we deal with include Microchip,ALPS,ROHM,Xilinx,Pulse,ON,Everlight and Freescale. Main products comprise IC,Modules,Potentiometer,IC Socket,Relay,Connector.Our parts cover such applications as commercial,industrial, and automotives areas.

We are looking forward to setting up business relationship with you and hope to provide you with the best service and solution. Let us make a better world for our industry!



## Contact us

Tel: +86-755-8981 8866 Fax: +86-755-8427 6832

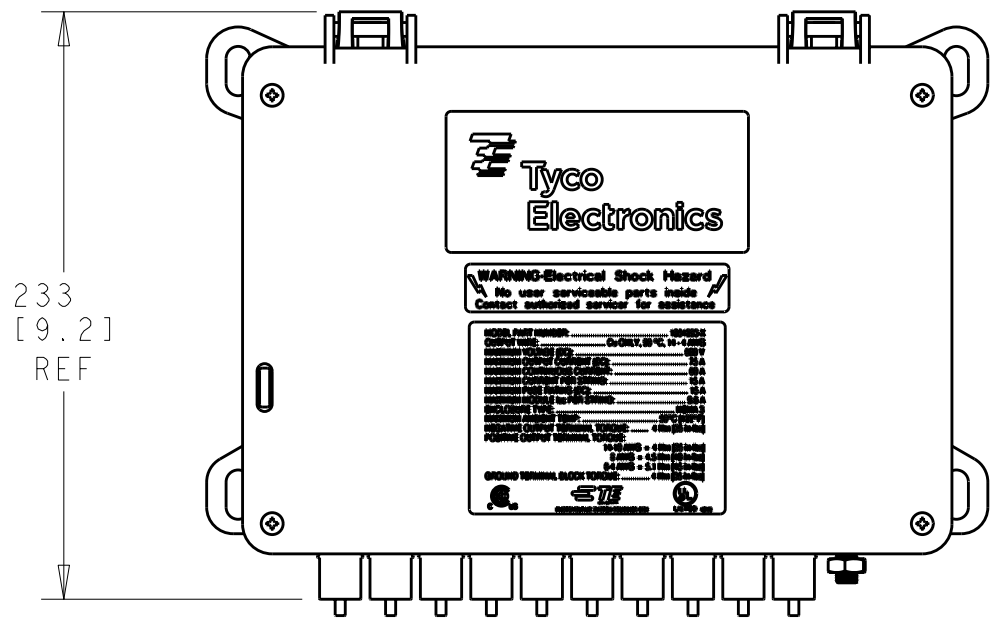
Email & Skype: info@chipsmall.com Web: www.chipsmall.com

Address: A1208, Overseas Decoration Building, #122 Zhenhua RD., Futian, Shenzhen, China

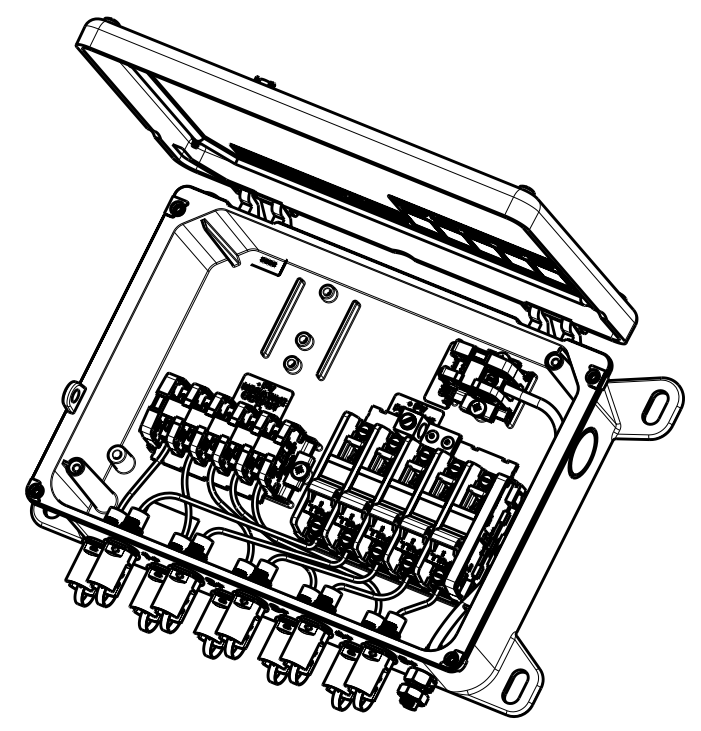
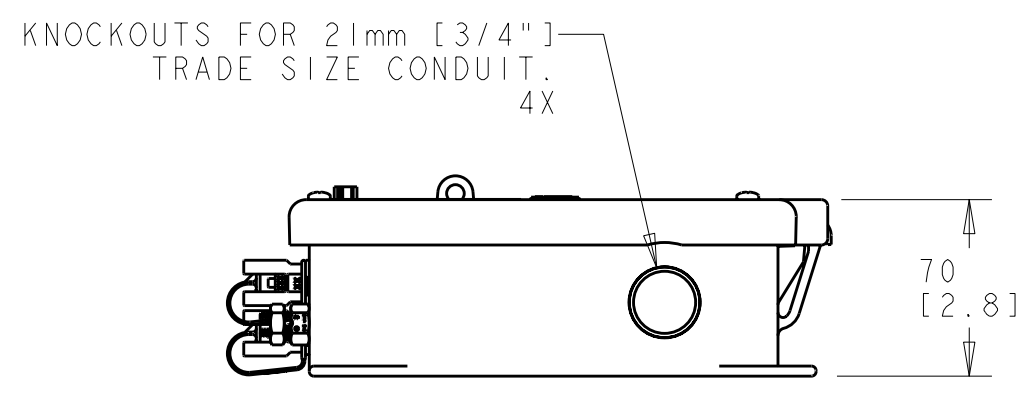
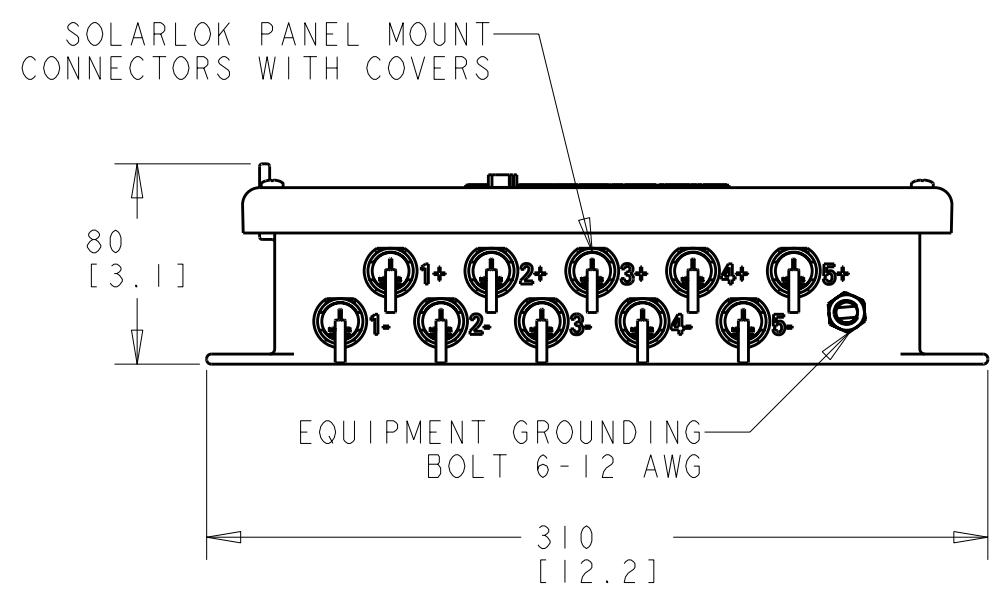


THIS DRAWING IS UNPUBLISHED. RELEASED FOR PUBLICATION 20  
 © COPYRIGHT 20 BY TYCO ELECTRONICS CORPORATION. ALL RIGHTS RESERVED.

LOC	DIST	REVISIONS					
		P	LTR	DESCRIPTION	DATE	DWN	APVD
-	-		G1	UPDATED PER ECO-11-013121	15JUL2011	DW	JE



1. SEE INSTRUCTION SHEET 408-10271 FOR INSTALLATION REQUIREMENTS.
2. FUSES AND MOUNTING HARDWARE NOT SUPPLIED.
3. THIS PRODUCT HAS NOT COMPLETED VALIDATION TESTING. IT HAS COMPLETED VERIFICATION TESTING AND UL LISTING (FILE E321923).
4. THE INSIDE OF THE COMBINER BOX IS NOT TO BE MODIFIED IN ANY WAY OR HAVE ADDITIONAL COMPONENTS INSTALLED (OTHER THAN THAT DESCRIBED BY THE INSTRUCTION SHEET 408-10271) AS THIS MAY VOID UL APPROVALS FOR THE COMBINER BOX.



SHOWN OPEN WITH INNER COVER REMOVED.

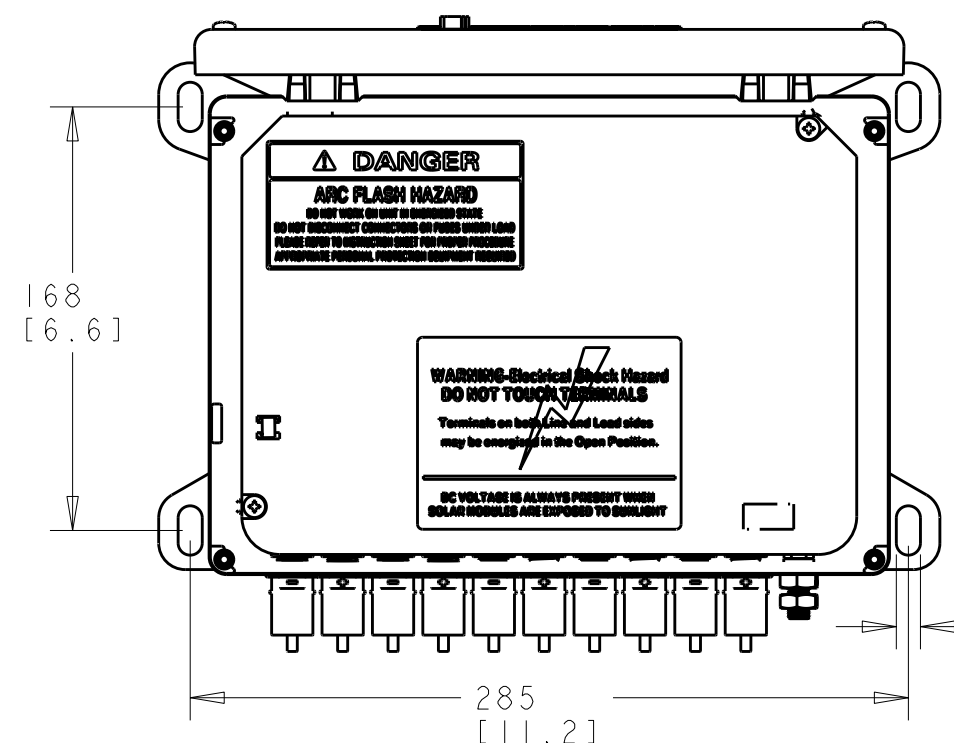
SCALE 1:4

5-STRING	BLACK	1954283-1
DESCRIPTION	ENCLOSURE COLOR	PART NUMBER

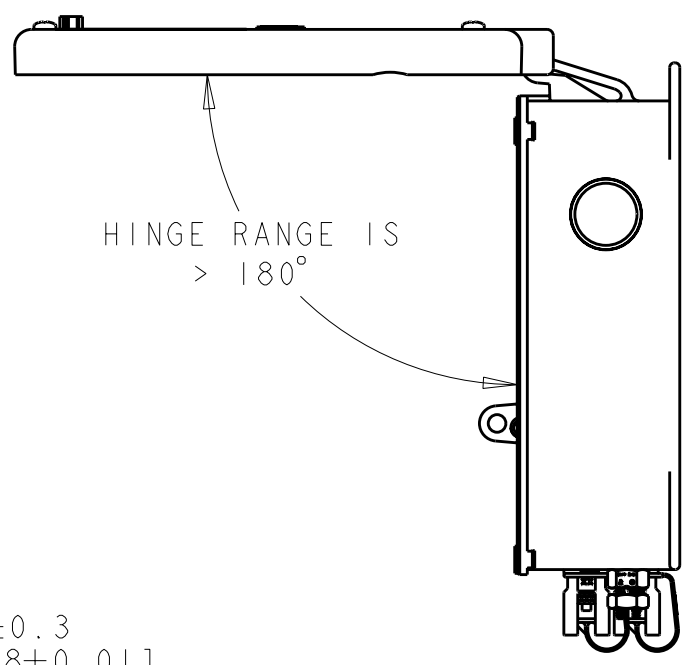
THIS DRAWING IS A CONTROLLED DOCUMENT FOR TYCO ELECTRONICS CORPORATION IT IS SUBJECT TO CHANGE AND THE CONTROLLING ENGINEERING ORGANIZATION SHOULD BE CONTACTED FOR THE LATEST REVISION.		DWN HILT 11JUN2007	Tyco Electronics Harrisburg, PA 17105-3608	
DIMENSIONS: mm		CHK S. DUESTERHOEFT	NAME SOLAR COMBINER BOX 5 STRING	
		APVD -	SIZE A3	
TOLERANCES UNLESS OTHERWISE SPECIFIED: 0 PLC ±2 1 PLC ±0.5 2 PLC ± 3 PLC ± 4 PLC ± ANGLES ±5		PRODUCT SPEC -	CAGE CODE 00779	DRAWING NO 1954283
MATERIAL -	FINISH -	APPLICATION SPEC -	RESTRICTED TO -	SCALE 1:3
MATERIAL -		WEIGHT 1.6 kg [3.5lb]	SHEET 1	OF 2
CUSTOMER DRAWING		REV G1		

THIS DRAWING IS UNPUBLISHED. RELEASED FOR PUBLICATION 20  
 © COPYRIGHT 20 BY TYCO ELECTRONICS CORPORATION. ALL RIGHTS RESERVED.

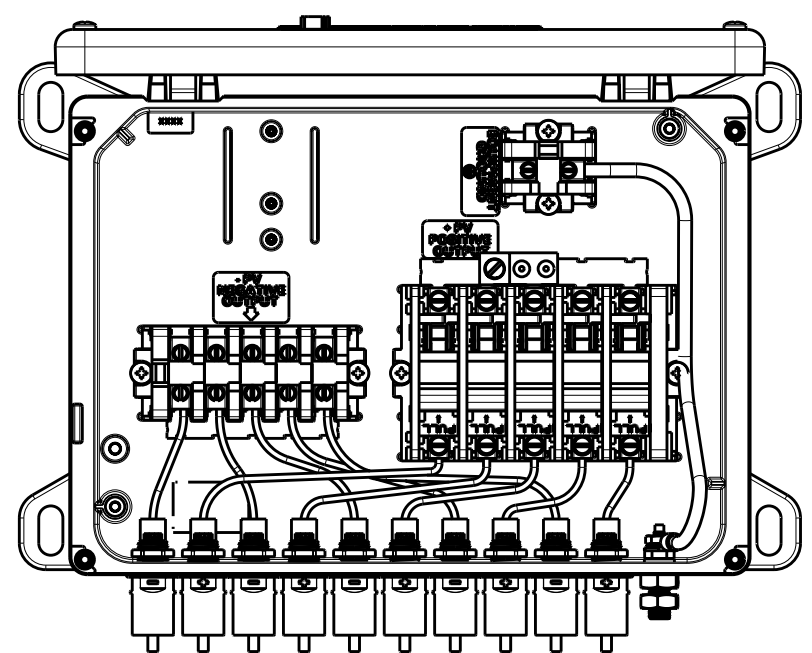
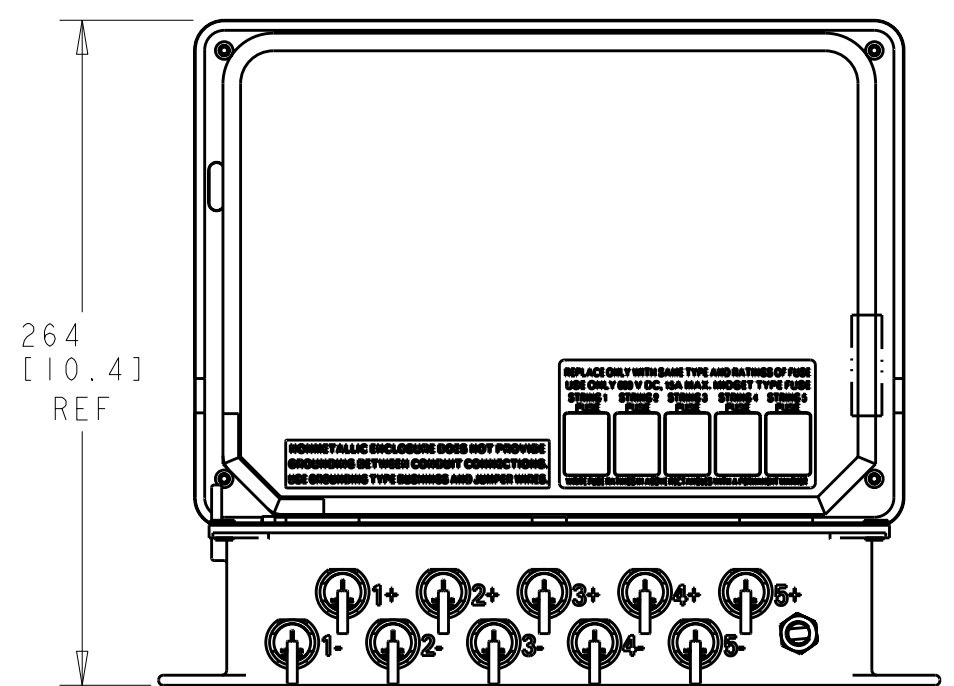
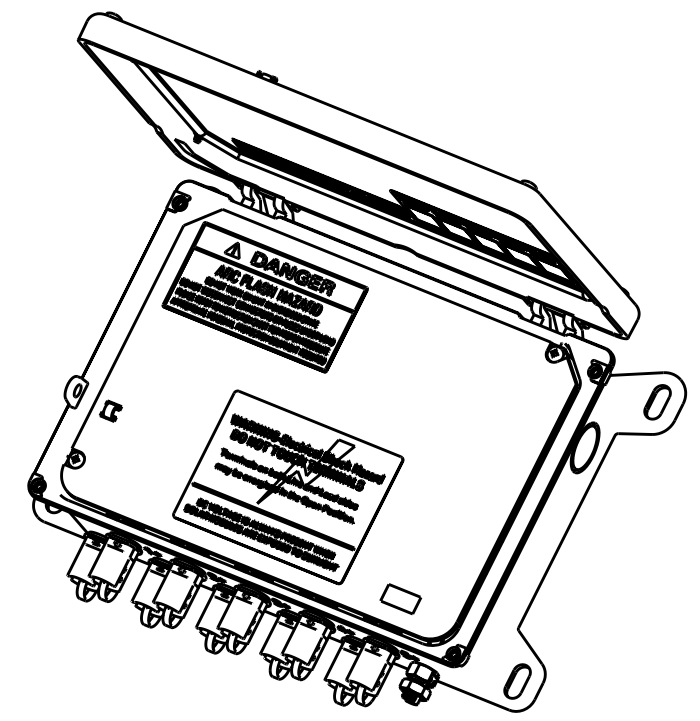
LOC	DIST	REVISIONS					
		P	LTR	DESCRIPTION	DATE	DWN	APVD
-	-	-	-	SEE SHEET 1	-	-	-



SHOWN OPEN WITH INNER COVER IN PLACE.



9.6±0.3 [0.38±0.01]



SHOWN OPEN WITH INNER COVER REMOVED

THIS DRAWING IS A CONTROLLED DOCUMENT FOR TYCO ELECTRONICS CORPORATION IT IS SUBJECT TO CHANGE AND THE CONTROLLING ENGINEERING ORGANIZATION SHOULD BE CONTACTED FOR THE LATEST REVISION.		DWN HILT 11JUN2007	Tyco Electronics Harrisburg, PA 17105-3608	
DIMENSIONS: mm		CHK S. DUESTERHOEFT	NAME SOLAR COMBINER BOX 5 STRING	
TOLERANCES UNLESS OTHERWISE SPECIFIED: 0 PLC ±2 1 PLC ±0.5 2 PLC ± 3 PLC ± 4 PLC ± ANGLES ±5		APVD -	PRODUCT SPEC -	
MATERIAL -		FINISH -	APPLICATION SPEC -	
		WEIGHT 1.6 kg [3.5lb]	SIZE A3	CAGE CODE 00779
		DRAWING NO C-1954283		RESTRICTED TO -
		CUSTOMER DRAWING		SCALE 1:3
		SHEET 2		OF 2
		REV G1		