



Chipsmall Limited consists of a professional team with an average of over 10 year of expertise in the distribution of electronic components. Based in Hongkong, we have already established firm and mutual-benefit business relationships with customers from,Europe,America and south Asia,supplying obsolete and hard-to-find components to meet their specific needs.

With the principle of “Quality Parts,Customers Priority,Honest Operation,and Considerate Service”,our business mainly focus on the distribution of electronic components. Line cards we deal with include Microchip,ALPS,ROHM,Xilinx,Pulse,ON,Everlight and Freescale. Main products comprise IC,Modules,Potentiometer,IC Socket,Relay,Connector.Our parts cover such applications as commercial,industrial, and automotives areas.

We are looking forward to setting up business relationship with you and hope to provide you with the best service and solution. Let us make a better world for our industry!



Contact us

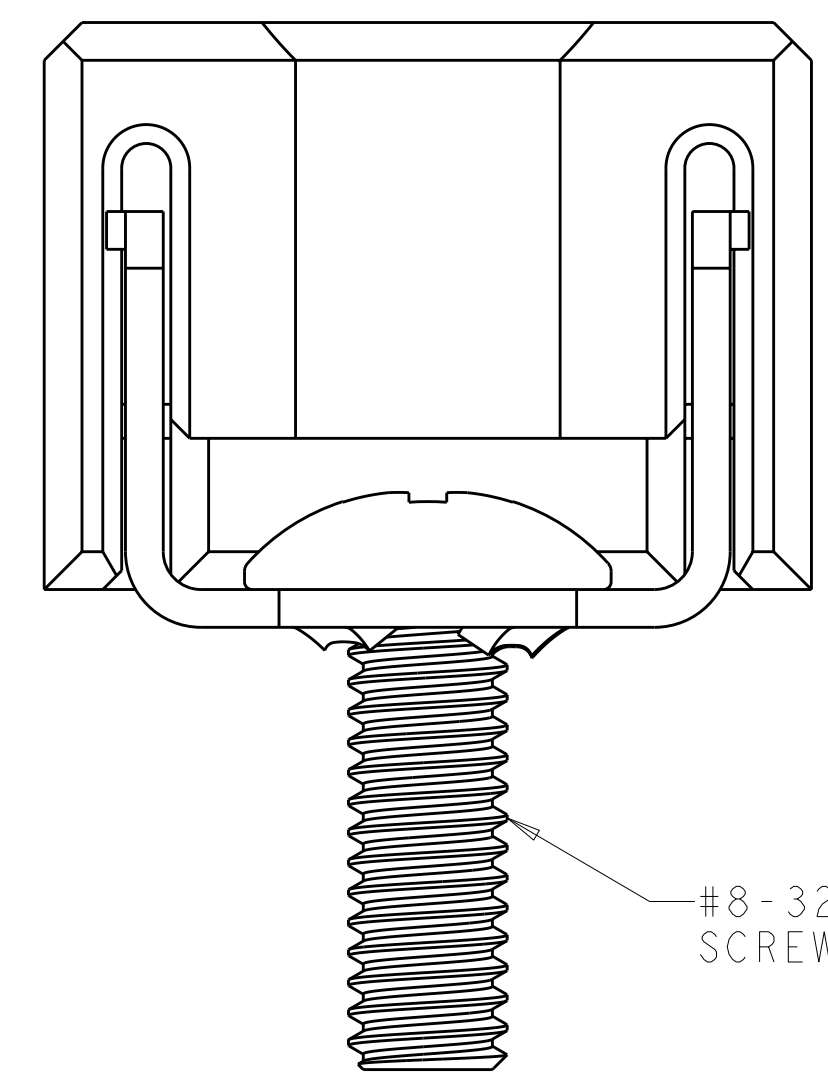
Tel: +86-755-8981 8866 Fax: +86-755-8427 6832

Email & Skype: info@chipsmall.com Web: www.chipsmall.com

Address: A1208, Overseas Decoration Building, #122 Zhenhua RD., Futian, Shenzhen, China

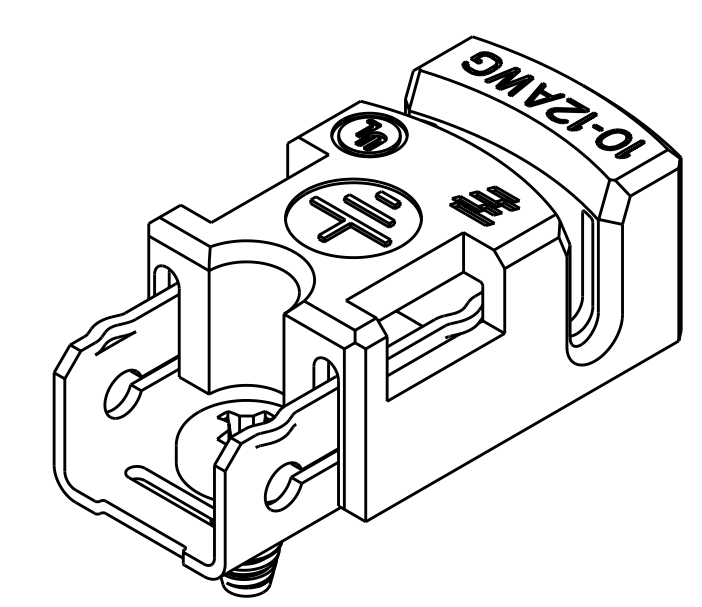
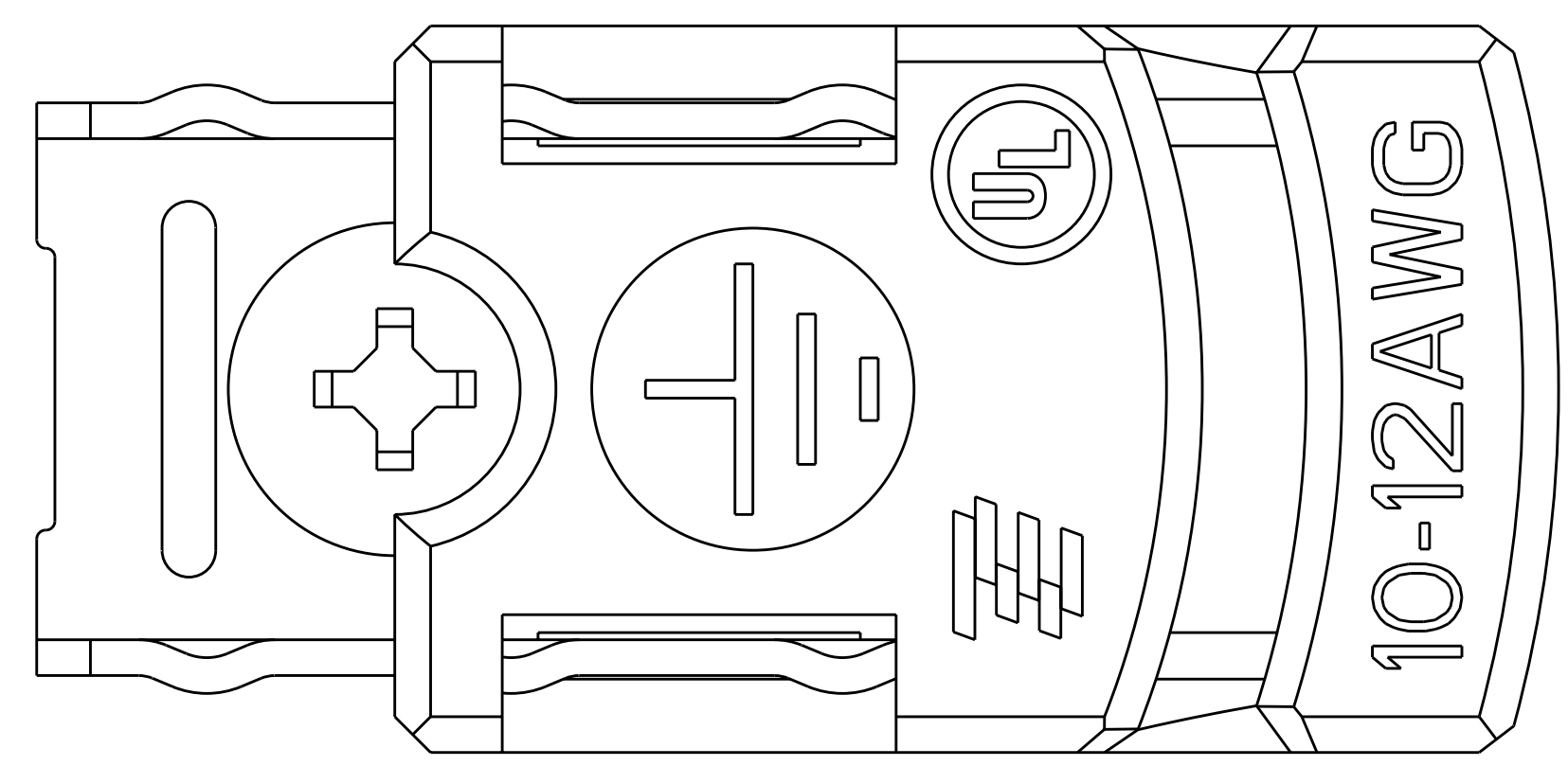
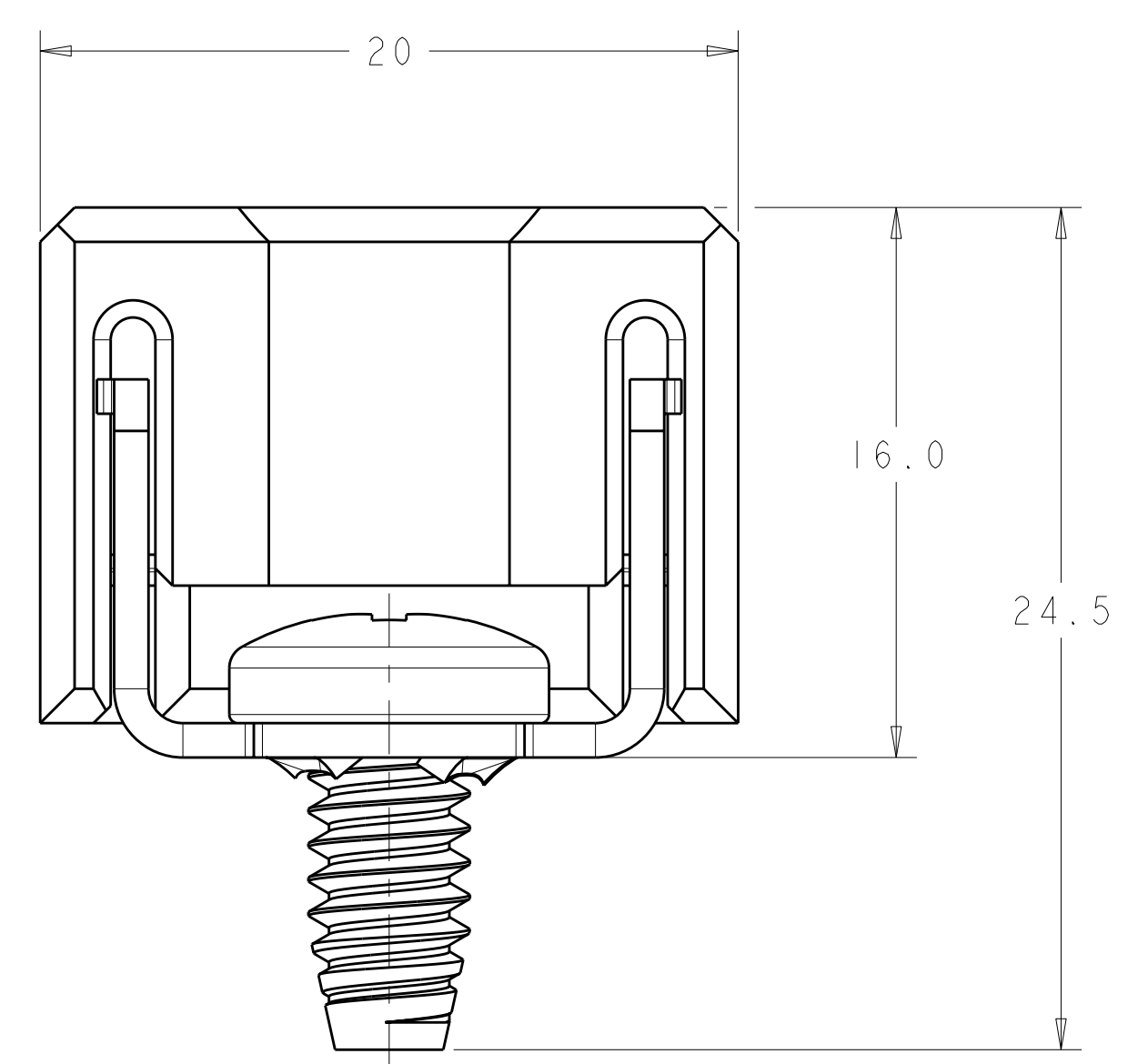


LOC	DIST	REV	DESCRIPTION	DATE	DWN	APVD
FT	0	D5	EDITED NOTES PER ECO-11-013836	15JUL2011	DW	JE

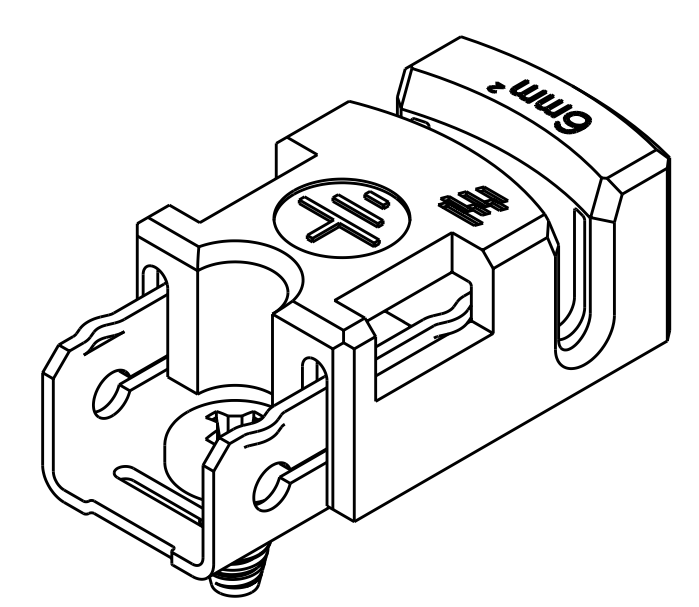


#8-32 PAN HEAD SCREW

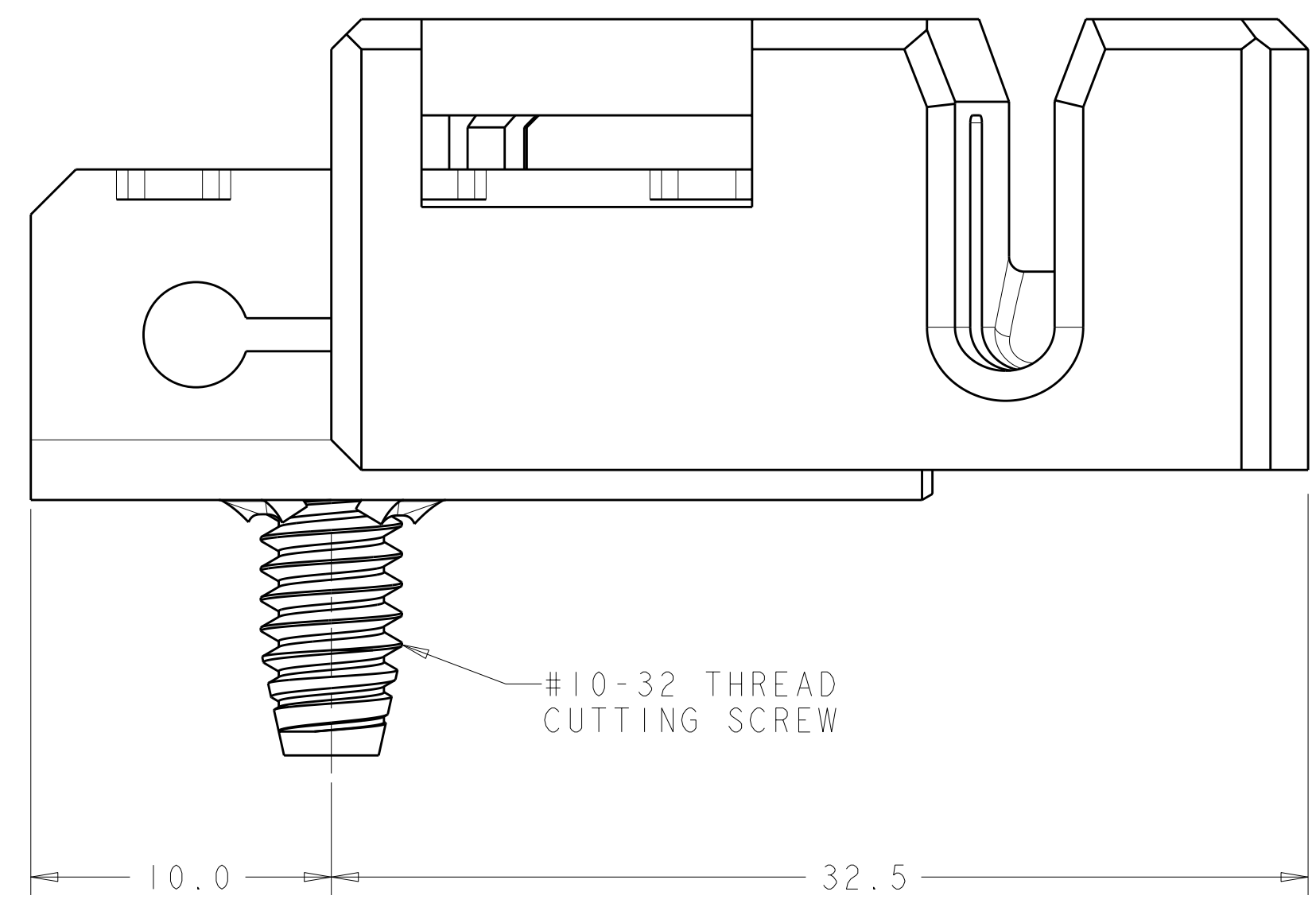
1954381-2 & -3



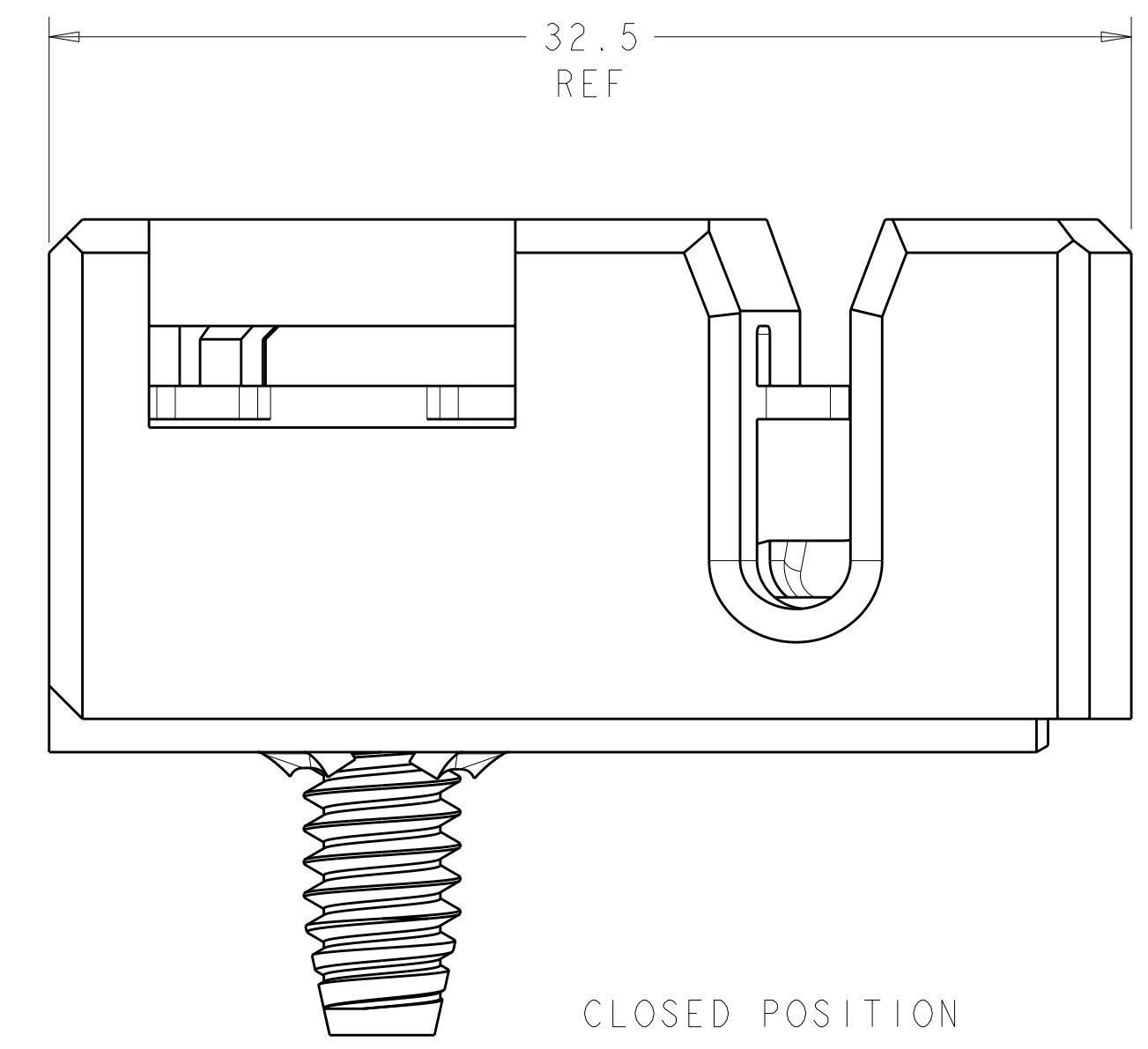
SCALE 2:1



SCALE 2:1
1954381-5 ONLY



#10-32 THREAD CUTTING SCREW



CLOSED POSITION

△ MATERIALS AND FINISH:
 SLIDER: PBT, UV F1 RATING, BLACK, 94V5
 BASE: PHOSPHOR BRONZE; FINISH: Sn OVER Ni
 MOUNTING HARDWARE: STAINLESS STEEL EXCEPT #8-32 HEX NUT WHICH IS CARBON STEEL

2. COMPLIES WITH DIRECTIVE 2002/95/EC (ROHS)
3. PATENTED.

△ NUTS ARE PACKAGED SEPERATELY IN A BAG.

NONE	NONE	6mm ² AND 4mm ²	1954381-6
NONE	#10-32 THREAD CUTTING .375LG	6mm ² AND 4mm ²	1954381-5
△ NUT WITH LOCKWASHER	#10-32 PAN HEAD .625LG	10-12 AWG, 4mm ²	1954381-4
△ NUT WITH LOCKWASHER	#8 PAN HEAD .500LG	10-12 AWG, 4mm ²	1954381-3
△ HEX NUT	#8-32 PAN HEAD .500LG	10-12 AWG, 4mm ²	1954381-2
NONE	#10-32 THREAD CUTTING .375LG	10-12 AWG, 4mm ²	1954381-1
NUT	SCREW	WIRE SIZE	PART NUMBER

THIS DRAWING IS A CONTROLLED DOCUMENT.		DWN: MOHAN 31OCT2006	TE Connectivity
DIMENSIONS: mm		CHK: S. DUESTERHOFF 01NOV2006	
TOLERANCES UNLESS OTHERWISE SPECIFIED:		APVD: M. STROCKEWAAL 01JUN2007	NAME: GROUNDING CLIP ASSEMBLY SOLID WIRE
9 PLC ±.10	3 PLC ±.10	PRODUCT SPEC	SIZE: CAGE CODE: DRAWING NO: A100779C=1954381
5 PLC ±.10	4 PLC ±.10	APPLICATION SPEC	RESTRICTED TO
ANGLES ±.5°	FINISH	WEIGHT	SCALE: 5:1 SHEET 1 OF 1 REV D5
MATERIAL	FINISH	CUSTOMER DRAWING	