



Chipsmall Limited consists of a professional team with an average of over 10 year of expertise in the distribution of electronic components. Based in Hongkong, we have already established firm and mutual-benefit business relationships with customers from,Europe,America and south Asia,supplying obsolete and hard-to-find components to meet their specific needs.

With the principle of “Quality Parts,Customers Priority,Honest Operation,and Considerate Service”,our business mainly focus on the distribution of electronic components. Line cards we deal with include Microchip,ALPS,ROHM,Xilinx,Pulse,ON,Everlight and Freescale. Main products comprise IC,Modules,Potentiometer,IC Socket,Relay,Connector.Our parts cover such applications as commercial,industrial, and automotives areas.

We are looking forward to setting up business relationship with you and hope to provide you with the best service and solution. Let us make a better world for our industry!



## Contact us

Tel: +86-755-8981 8866 Fax: +86-755-8427 6832

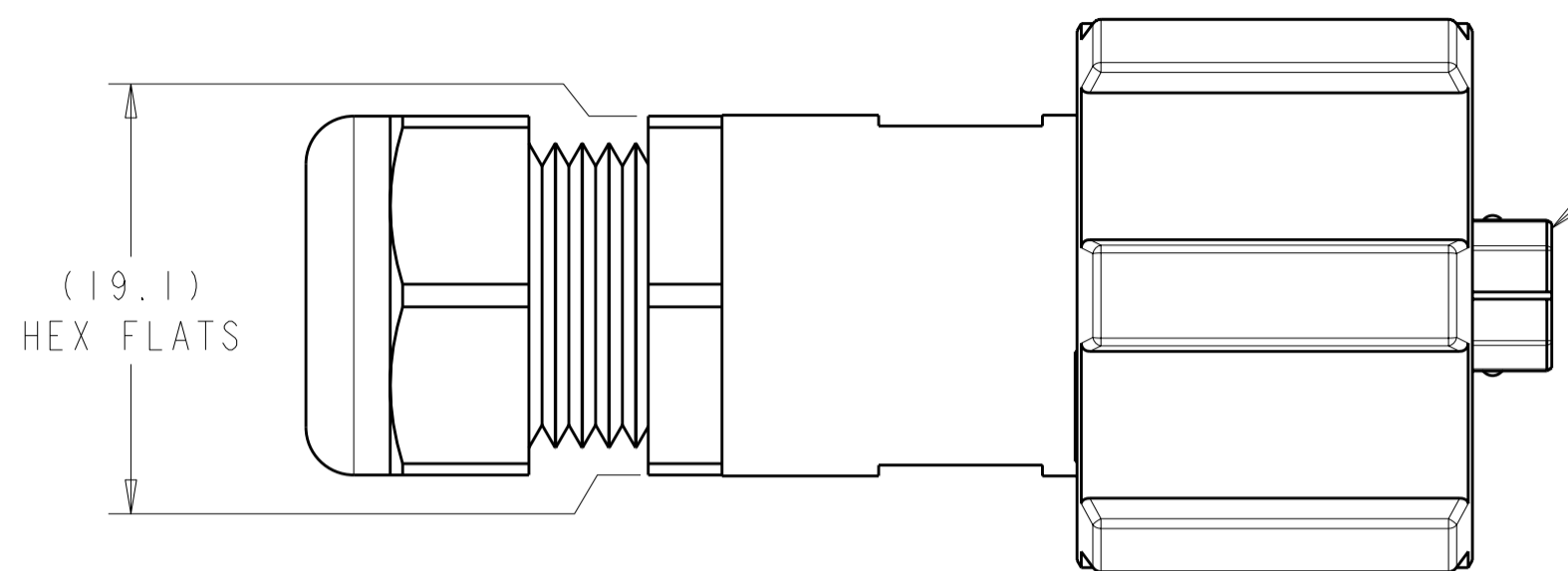
Email & Skype: info@chipsmall.com Web: www.chipsmall.com

Address: A1208, Overseas Decoration Building, #122 Zhenhua RD., Futian, Shenzhen, China

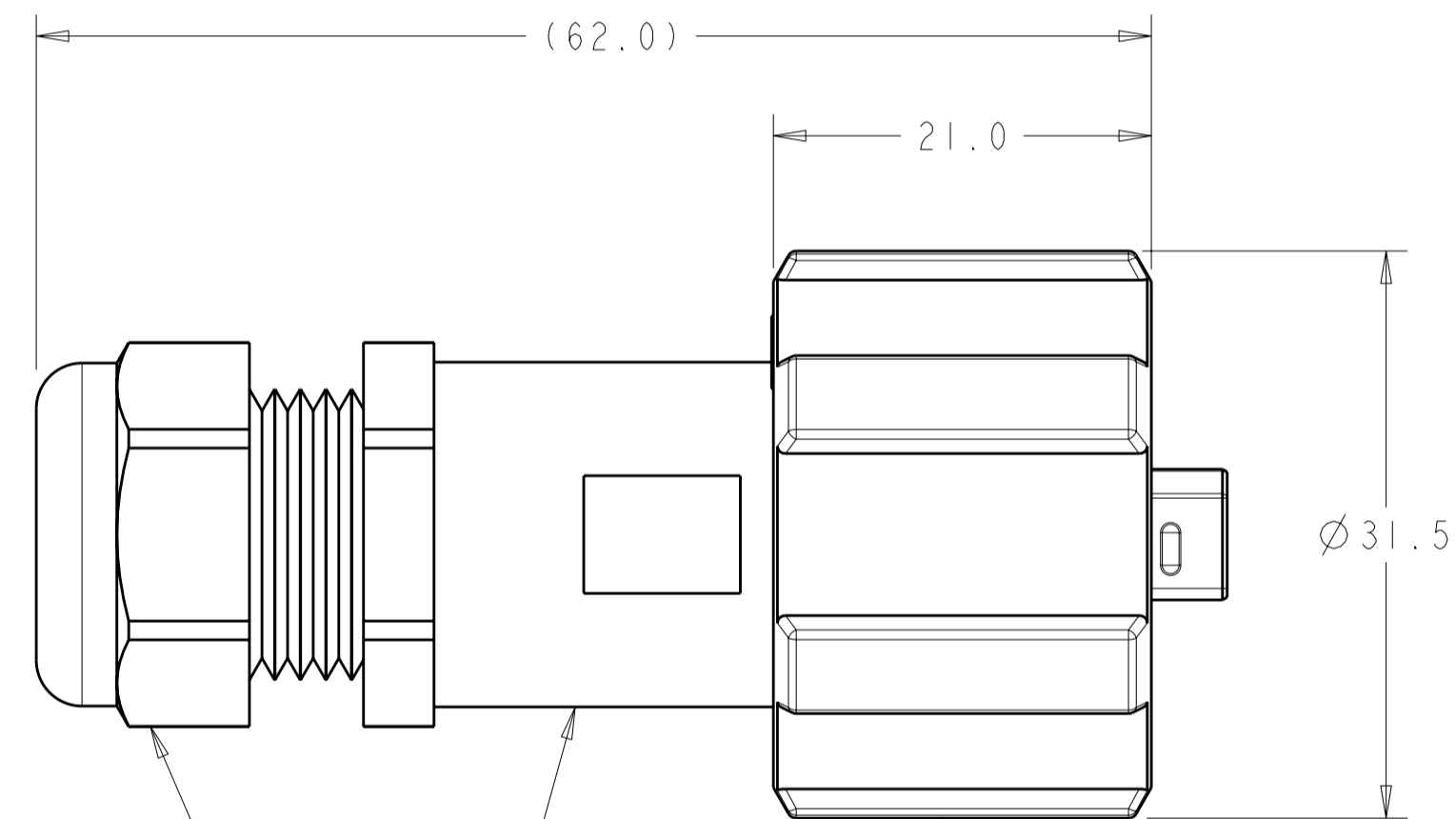


THIS DRAWING IS UNPUBLISHED. RELEASED FOR PUBLICATION 20  
 © COPYRIGHT 20 BY TYCO ELECTRONICS CORPORATION. ALL RIGHTS RESERVED.

LOC		DIST		REVISIONS			
P	LTR	DESCRIPTION	DATE	DWN	APVD		
	A	REVISED PER ECO-09-009008	08APR2009	SS	MS		



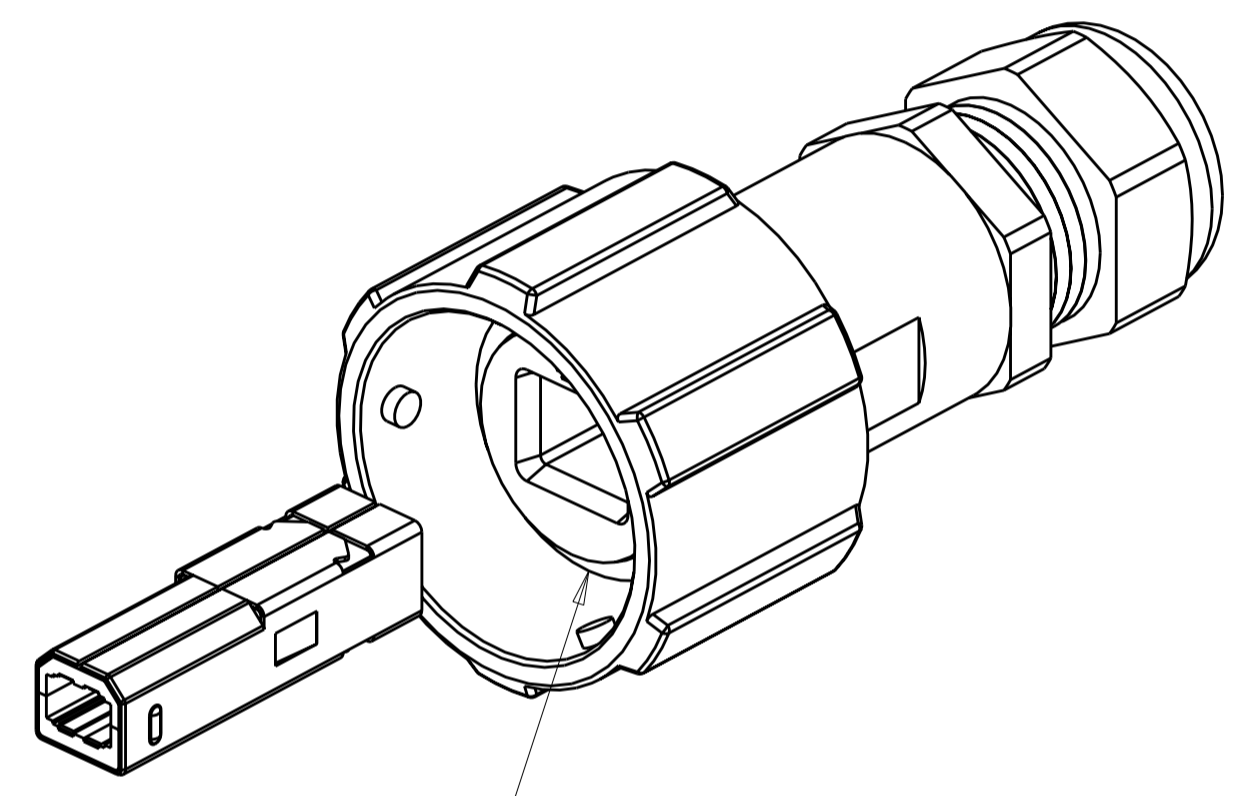
USB HARDWARE PLUG ASSEMBLY, SERIES B  
 HOUSING - PBT  
 CONTACTS - BRASS, GOLD OVER NICKEL  
 SHIELD - STEEL, NICKEL PLATED



1 CABLE FITTING  
 POLYAMIDE AND ELASTOMER  
 COLOR: BLACK

3 PLUG HOUSING  
 POLYESTER, COLOR: BLACK

COUPLING RING  
 POLYESTER, COLOR: BLACK



SCALE 2:1

4 INTERFACIAL SEAL  
 ELASTOMER, COLOR: ORANGE-RED

1 CABLE DIAMETER RANGE, 4.6 mm TO 7.9 mm, CABLE FITTING ONLY,  
 SEE APPLICATION SPECIFICATION FOR PLUG TERMINATION INFORMATION

2. PARTS PACKAGED UNASSEMBLED IN POLYBAG.

3 GEOMETRY CAN VARY.

4 ELASTOMER SEAL IS SECURED TO HOUSING WITH ADHESIVE.

1954640-1  
 PART NO.

THIS DRAWING IS A CONTROLLED DOCUMENT FOR TYCO ELECTRONICS CORPORATION IT IS SUBJECT TO CHANGE AND THE CONTROLLING ENGINEERING ORGANIZATION SHOULD BE CONTACTED FOR THE LATEST REVISION.		DWN RAGHU 29NOV2006	Tyco Electronics Harrisburg, PA 17105-3608	
DIMENSIONS: mm		CHK J. LANDIS 29NOV2006	NAME PLUG KIT, SERIES B CIRCULAR SEALED USB CONNECTOR	
TOLERANCES UNLESS OTHERWISE SPECIFIED: 0 PLC ±0.3 1 PLC ±0.2 2 PLC ±0.10 3 PLC ± 4 PLC ± ANGLES ±1° FINISH		APVD -	PRODUCT SPEC 108-2318	RESTRICTED TO -
MATERIAL -		APPLICATION SPEC 114-13211	SIZE A2	CAGE CODE 00779
		WEIGHT -	DRAWING NO 1954640	REV A
		CUSTOMER DRAWING	SCALE 5:2	SHEET 1 OF 1