



Chipsmall Limited consists of a professional team with an average of over 10 year of expertise in the distribution of electronic components. Based in Hongkong, we have already established firm and mutual-benefit business relationships with customers from,Europe,America and south Asia,supplying obsolete and hard-to-find components to meet their specific needs.

With the principle of “Quality Parts,Customers Priority,Honest Operation,and Considerate Service”,our business mainly focus on the distribution of electronic components. Line cards we deal with include Microchip,ALPS,ROHM,Xilinx,Pulse,ON,Everlight and Freescale. Main products comprise IC,Modules,Potentiometer,IC Socket,Relay,Connector.Our parts cover such applications as commercial,industrial, and automotives areas.

We are looking forward to setting up business relationship with you and hope to provide you with the best service and solution. Let us make a better world for our industry!



## Contact us

Tel: +86-755-8981 8866 Fax: +86-755-8427 6832

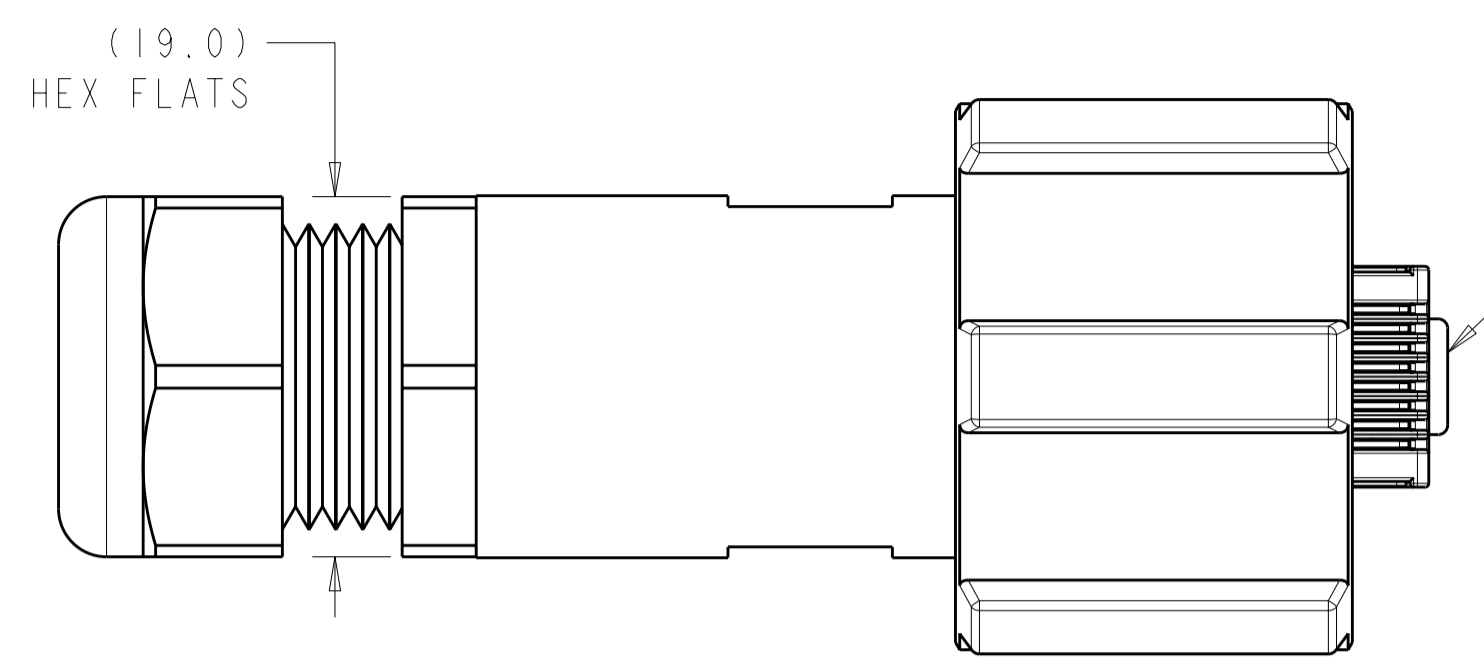
Email & Skype: info@chipsmall.com Web: www.chipsmall.com

Address: A1208, Overseas Decoration Building, #122 Zhenhua RD., Futian, Shenzhen, China

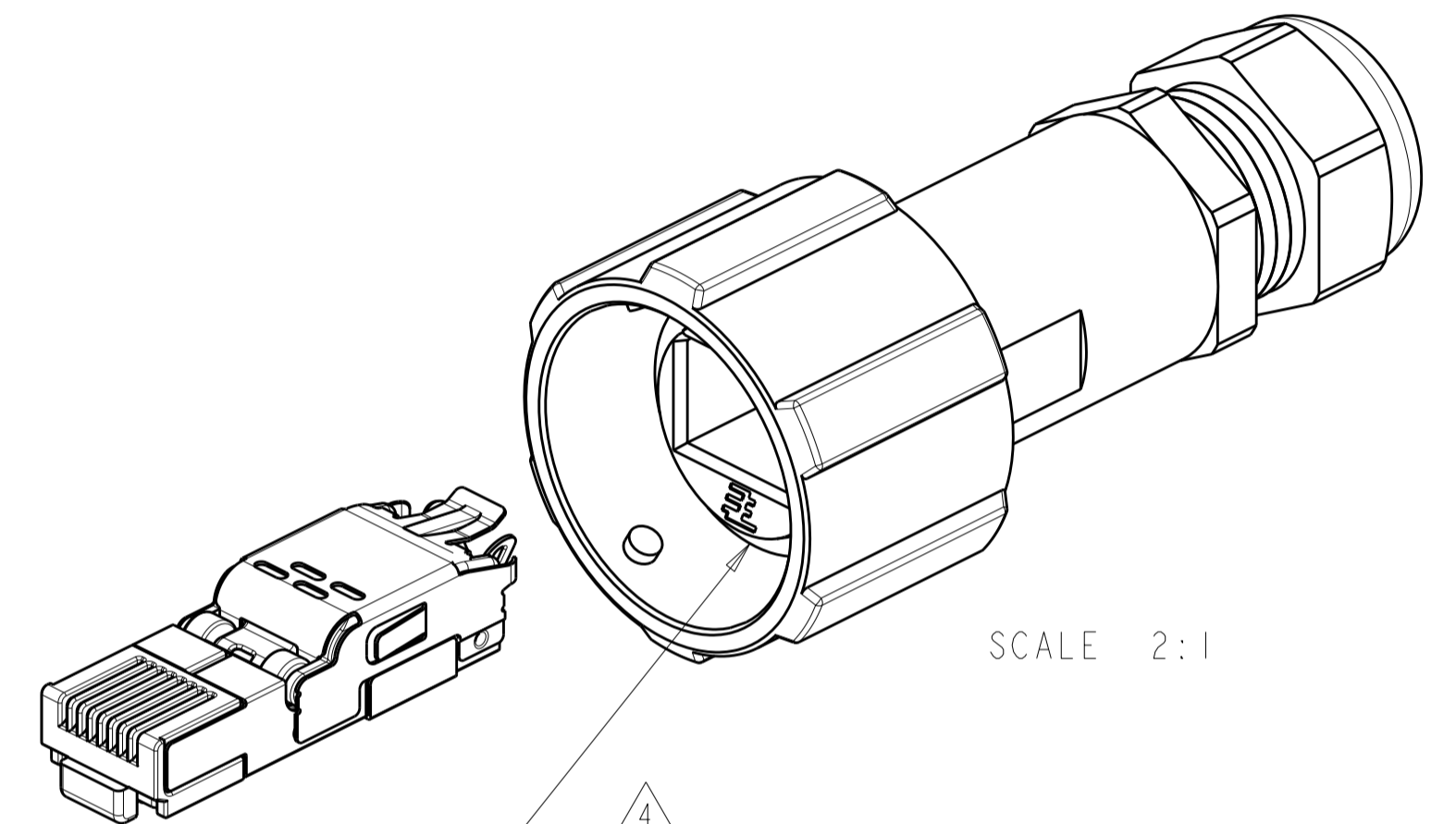
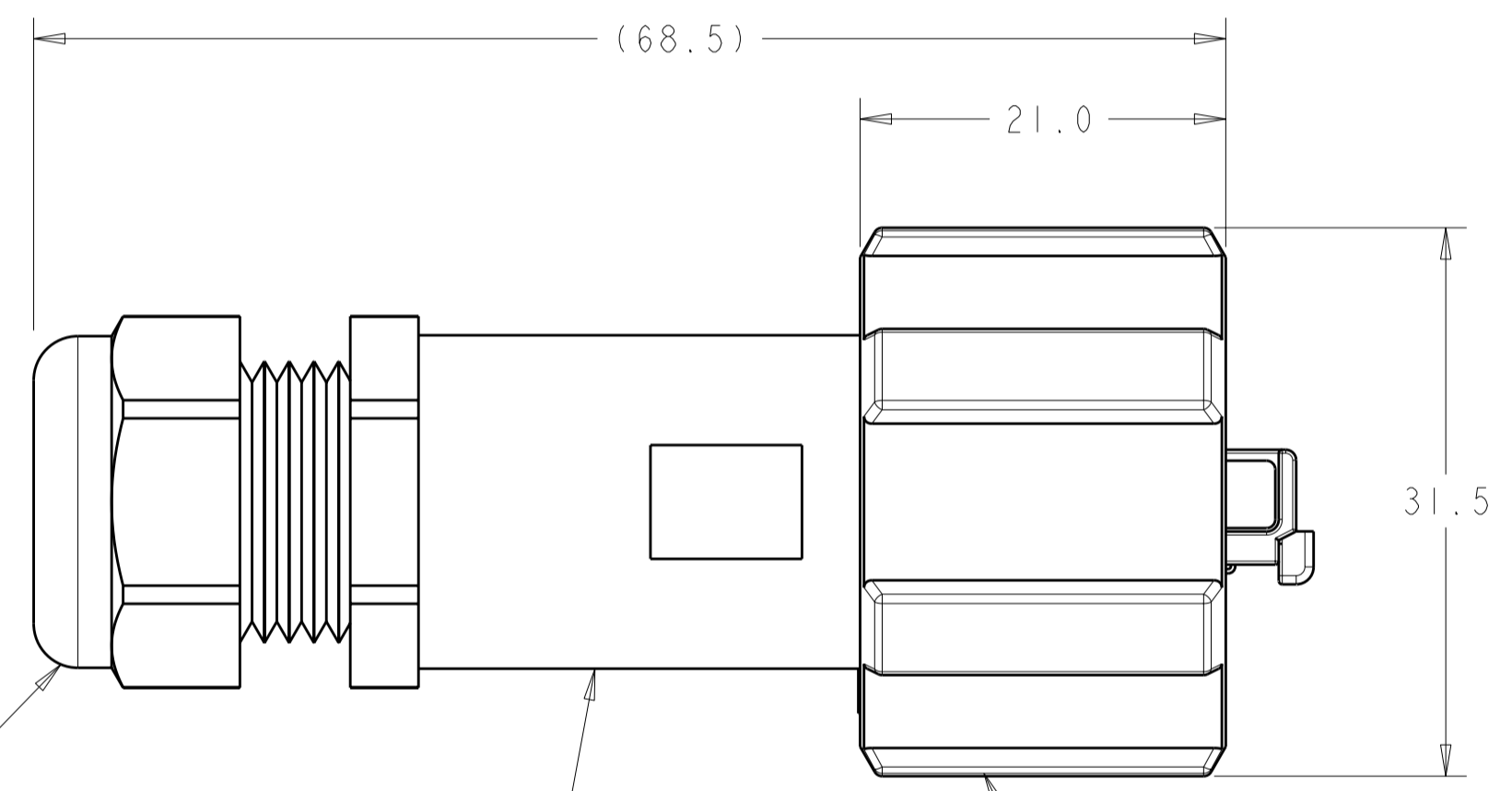


THIS DRAWING IS UNPUBLISHED. RELEASED FOR PUBLICATION 20  
 © COPYRIGHT 20 BY TYCO ELECTRONICS CORPORATION. ALL RIGHTS RESERVED.

LOC	DIST	REVISIONS				
P	LTR	DESCRIPTION	DATE	DWN	APVD	
-	-					
	AI	REVISED PER ECR 10-006879	01APR10	JR	SM	



COMMON CORE PLUG ASSEMBLY  
 TERMINAL HOUSING - NYLON  
 CONTACT - COPPER ALLOY  
 SHELL - COPPER ALLOY



SCALE 2:1

4 INTERFACIAL SEAL  
 ELASTOMER, COLOR: ORANGE-RED

1 CABLE FITTING  
 POLYIMIDE AND ELASTOMER  
 COLOR: BLACK

3 PLUG HOUSING  
 POLYESTER, COLOR: BLACK

COUPLING RING  
 POLYESTER, COLOR: BLACK

CAT 6	CORE, 8P ASSEMBLY	1954656-3
CAT 5/5E	CORE, 8P ASSEMBLY	1954656-2
CAT 5/5E	CORE, 4P ASSEMBLY	1954656-1
CABLE TYPE	COMMON CORE TYPE	PART NUMBER

1 CABLE DIAMETER RANGE, 4.0 mm TO 7.0 mm, CABLE FITTING ONLY,  
 SEE APPLICATION SPECIFICATION FOR COMMON CORE TERMINATION INFORMATION

2. PARTS PACKAGED UNASSEMBLED IN POLYBAG.

3 GEOMETRY CAN VARY.

4 ELASTOMER SEAL IS SECURED TO HOUSING WITH ADHESIVE.

DIMENSIONS:		TOLERANCES UNLESS OTHERWISE SPECIFIED:		DWN		Tyco Electronics	
mm		0 PLC	±0.3	C. DAILY	05DEC2006	Tyco Electronics Harrisburg, PA 17105-3608	
		1 PLC	±0.2	CHK	05DEC2006	PLUG ASSEMBLY COMMON CORE INDUSTRIAL CIRCULAR ETHERNET CONNECTOR	
		2 PLC	±0.10	J. LANDIS		SIZE	CAGE CODE
		3 PLC	±	APVD		A2	00779
		4 PLC	±			DRAWING NO	1954656
		ANGLES	±1°			RESTRICTED TO	
		FINISH				SCALE	5:2
MATERIAL						SHEET	1 OF 1
						REV	AI