



Chipsmall Limited consists of a professional team with an average of over 10 year of expertise in the distribution of electronic components. Based in Hongkong, we have already established firm and mutual-benefit business relationships with customers from,Europe,America and south Asia,supplying obsolete and hard-to-find components to meet their specific needs.

With the principle of “Quality Parts,Customers Priority,Honest Operation,and Considerate Service”,our business mainly focus on the distribution of electronic components. Line cards we deal with include Microchip,ALPS,ROHM,Xilinx,Pulse,ON,Everlight and Freescale. Main products comprise IC,Modules,Potentiometer,IC Socket,Relay,Connector.Our parts cover such applications as commercial,industrial, and automotives areas.

We are looking forward to setting up business relationship with you and hope to provide you with the best service and solution. Let us make a better world for our industry!



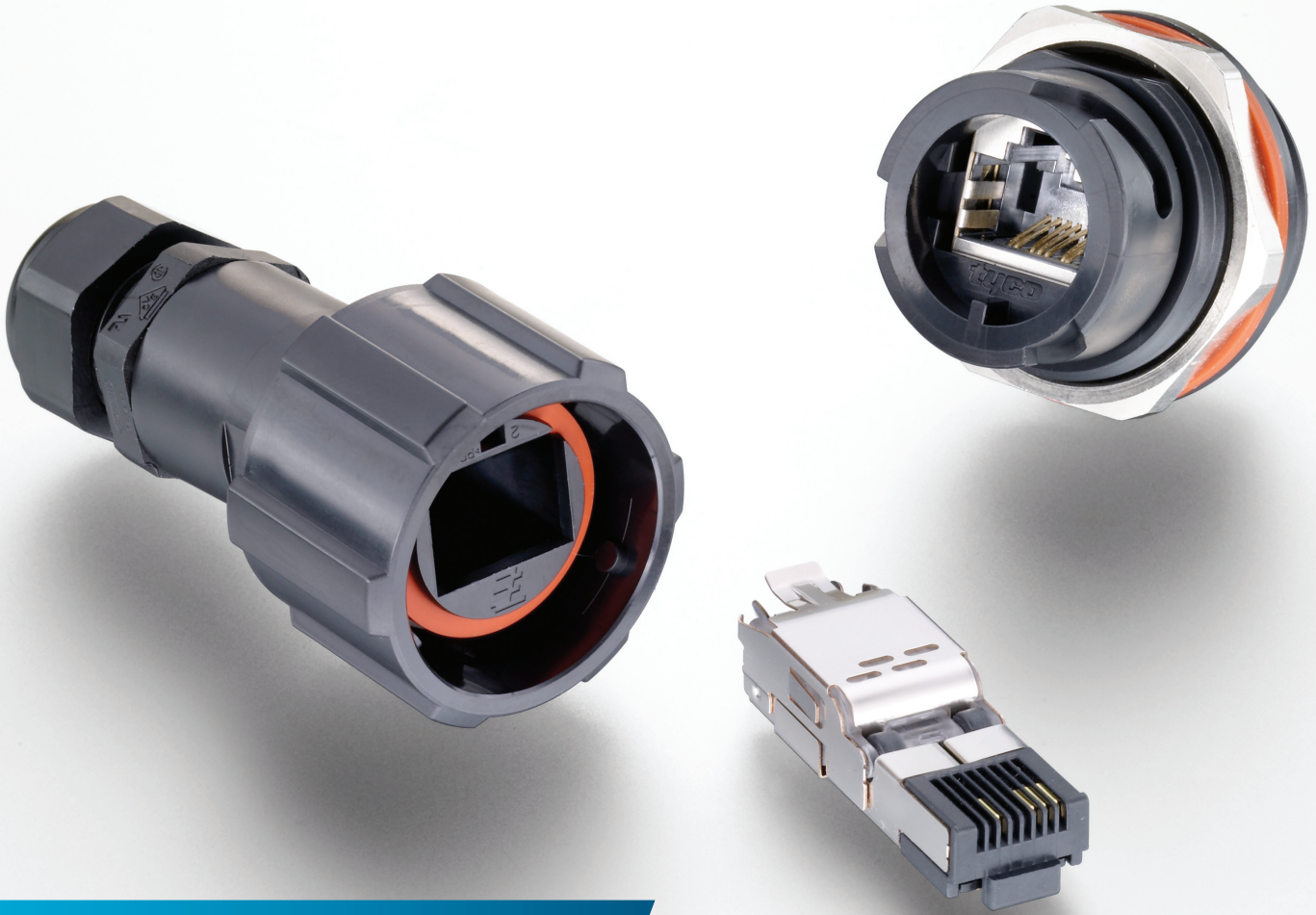
Contact us

Tel: +86-755-8981 8866 Fax: +86-755-8427 6832

Email & Skype: info@chipsmall.com Web: www.chipsmall.com

Address: A1208, Overseas Decoration Building, #122 Zhenhua RD., Futian, Shenzhen, China





Introducing
IP67 Common
Core Connector

IP67 Common Core Connector

KEY FEATURES

- Compliant to IEC 61076-3-106 - Variant 1
- Positive lock coupling ring provides reliable connections in harsh environments
- Tool-less connector
- For use with Cat 5e cable
- IP67 sealing performance
- Protective covers available for both the plug and receptacle

DESCRIPTIONS

Tyco Electronics now offers an IP67 field installable RJ45 connector. Utilizing our already existing “common core” design, the product can be applied in the field without the use of a tool. Designed for use in harsh environments, the connector features a quick-connect bayonet coupling mechanism.

APPLICATIONS

Industrial machinery, diagnostic equipment, communications equipment, industrial printers

ELECTRICAL

Meets TIA/EIA 568 Category 5e requirements

MATERIALS

Housing : UL94V-0

Pass Through Modular Jack : UL94V-0

Gasket, Seal : UL94 HBF

UV Resistant Housing Material

MECHANICAL

Positive lock coupling ring

Polarized for proper mating

Temperature Range : -40°C to +85°C [-40F to 185F]

STANDARDS & SPECIFICATIONS

[108-2198](#) : Product Specification

[114-13136](#) : Application Specification

[408-8933](#) : Instruction Sheet

Compliant to IEC 61076-3-106 - Variant 1

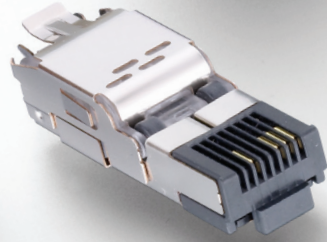
Compliant to IEC 60603-7, A8F - Variant 3

PRODUCT OFFERING

[PN 1954656-1](#) : 4 position Plug Kit

[PN 1954656-2](#) : 8 position Plug Kit

[PN 1811689-1](#) : Shielded receptacle Kit



IP67 Common Core Connector

OPTIONAL ACCESSORIES

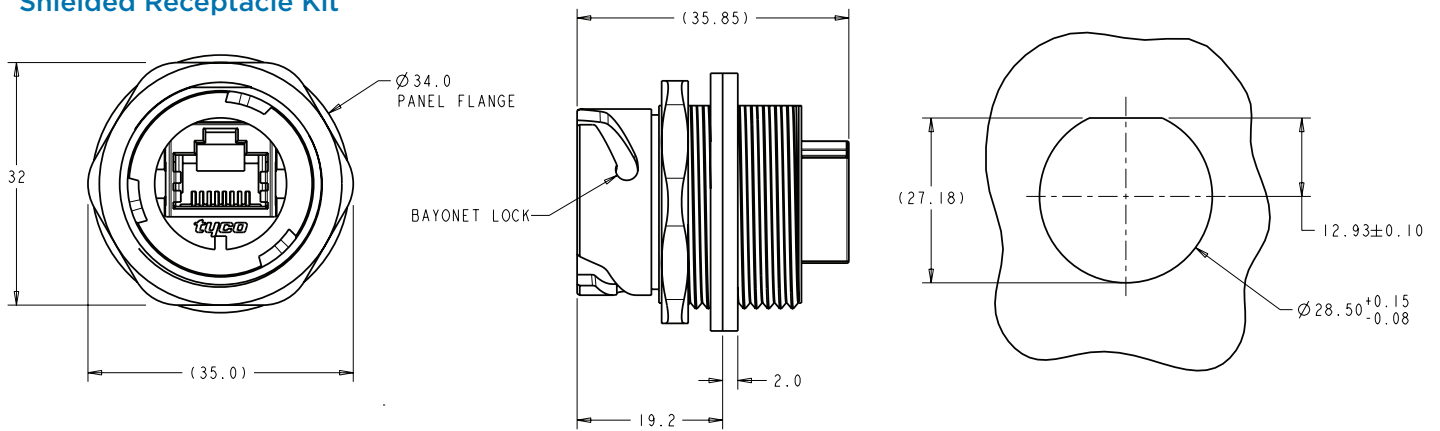
PN 1738611-1 : Receptacle Cover

PN 1981944-1 : Cable Stripper

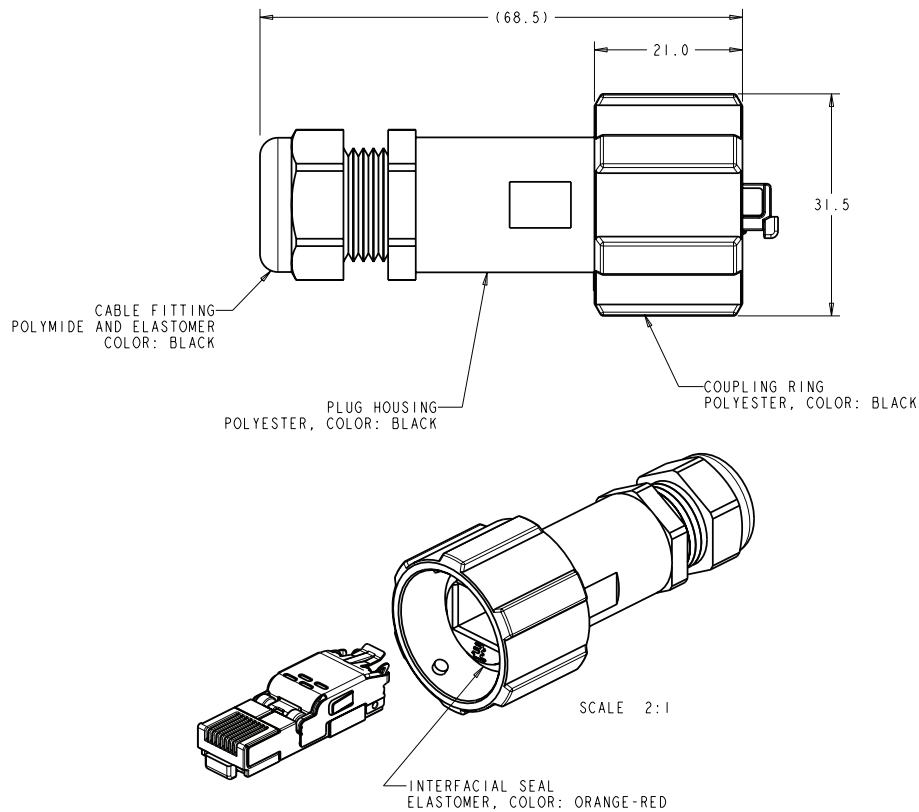
PN 1828740-1 : Plug Cover

PN 1939708-1 : Cable

Shielded Receptacle Kit



Plug Assembly



FOR MORE INFORMATION

www.tycoelectronics.com/industrial

Technical Support

Internet :	www.tycoelectronics.com/help
USA:	+1 (800) 522-6752
Canada:	+1 (905) 470-4425
Mexico & Central America:	+52(0) 55-1106-0814
South America:	+55 (0) 11-2103-6000
Germany:	+49 (0) 6251-133-1999
UK:	+44 (0) 8706-080208
France:	+33 (0) 1-3420-8686
Netherlands:	+31 (0) 73-6246-999
China:	+86 (0) 400-820-6015

Tyco Electronics Corporation
Harrisburg, PA

tycoelectronics.com

Copyright 2008 Tyco Electronics Corporation
7-1773453-3 2.5M FP 12/2008
TE logo and Tyco Electronics are trademarks.

 **Tyco Electronics**
Our commitment. Your advantage.