



Chipsmall Limited consists of a professional team with an average of over 10 year of expertise in the distribution of electronic components. Based in Hongkong, we have already established firm and mutual-benefit business relationships with customers from,Europe,America and south Asia,supplying obsolete and hard-to-find components to meet their specific needs.

With the principle of "Quality Parts,Customers Priority,Honest Operation,and Considerate Service",our business mainly focus on the distribution of electronic components. Line cards we deal with include Microchip,ALPS,ROHM,Xilinx,Pulse,ON,Everlight and Freescale. Main products comprise IC,Modules,Potentiometer,IC Socket,Relay,Connector.Our parts cover such applications as commercial,industrial, and automotives areas.

We are looking forward to setting up business relationship with you and hope to provide you with the best service and solution. Let us make a better world for our industry!



Contact us

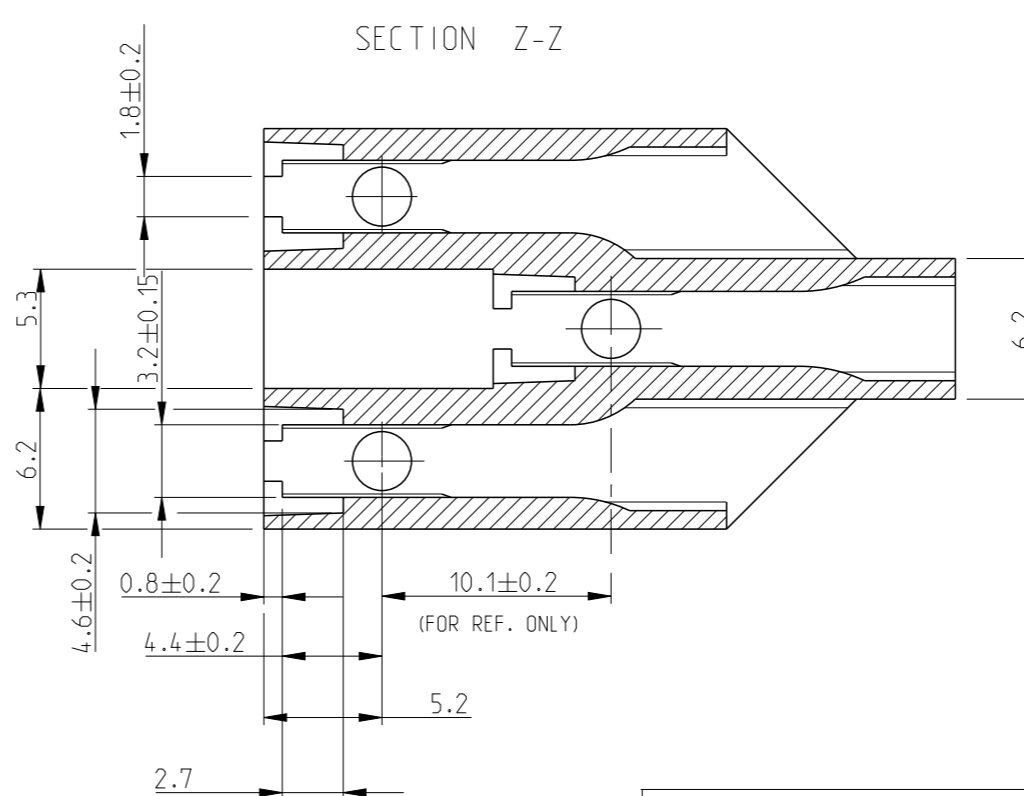
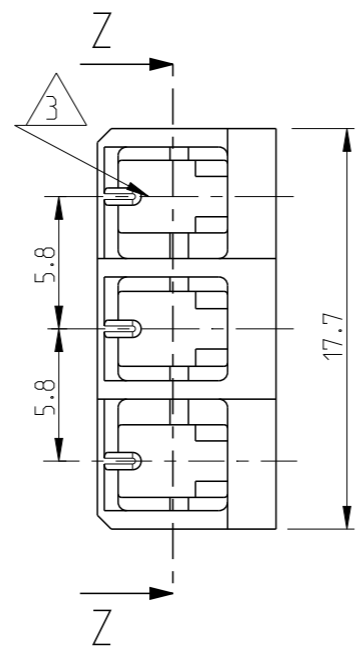
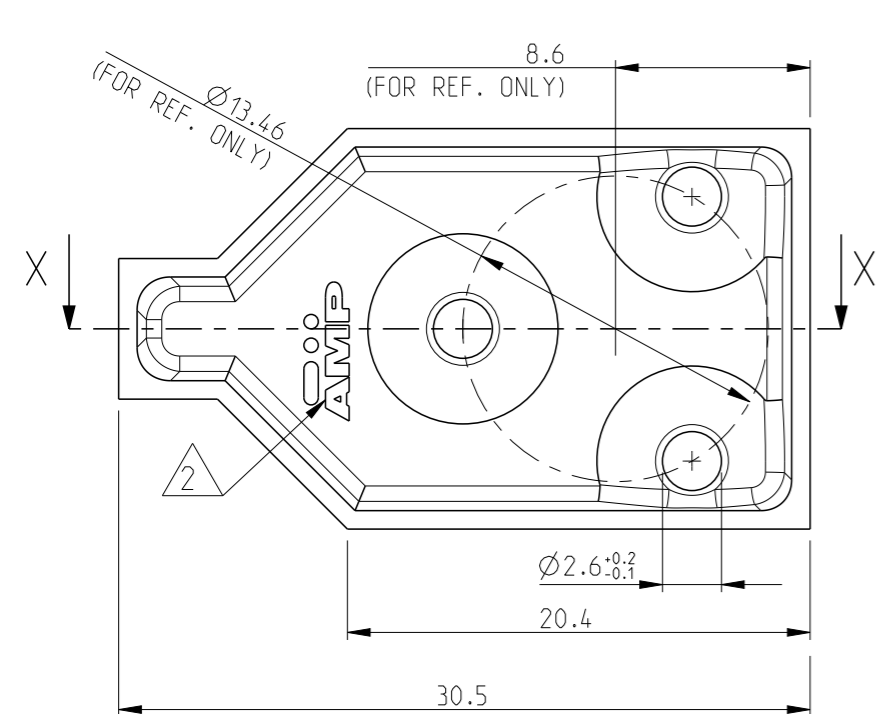
Tel: +86-755-8981 8866 Fax: +86-755-8427 6832

Email & Skype: info@chipsmall.com Web: www.chipsmall.com

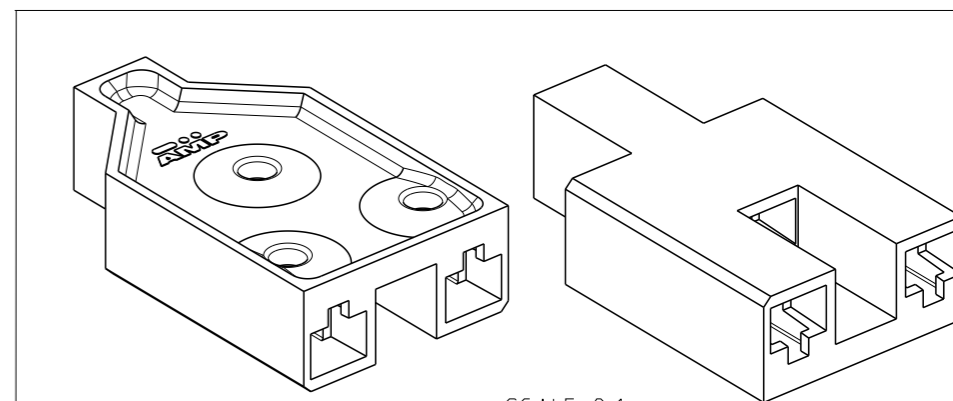
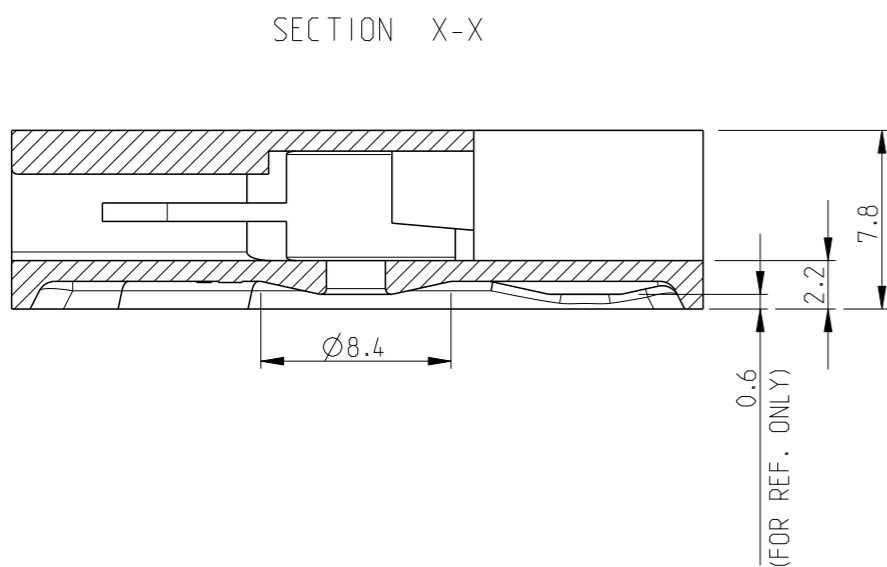
Address: A1208, Overseas Decoration Building, #122 Zhenhua RD., Futian, Shenzhen, China



P	LTR	DESCRIPTION	DATE	DWN	APVD
	A3	REVISED AS PER ECR-14-018786	16DEC2014	MKD	RRP



- NOTES
- 1 MATERIAL PA-6, GWT 750°C NF ACC.DIN EN 60695-2-11
 - 2 TRADE MARK
 - 3 3 TYPICAL CAVITIES FOR REC. TRERMINAL TE P/N 62131-3
 - 4 MATERIAL PA6 GF, GWT 750°C NF ACC.DIN EN 60695-2-11 & UL 94 V0
 - 5 MATERIAL PA66 GF, GWT 750°C NF ACC.DIN EN 60695-2-11 & UL 94 V0
 - 6 PRELIMINARY PART



NATURAL	5	3POS CLUSTER BLOCK HOUSING	0-1955415-3	6	3
NATURAL	4	3POS CLUSTER BLOCK HOUSING	0-1955415-2	6	2
NATURAL	1	3POS CLUSTER BLOCK HOUSING	0-1955415-1		1
COLOUR	MATERIAL	DESCRIPTION	PART No	SL No	

THIS DRAWING IS A CONTROLLED DOCUMENT.		DWN Chethan.J 13-May-2009	TE Connectivity													
DIMENSIONS: mm		CHK Rajendra 13-May-2009														
TOLERANCES UNLESS OTHERWISE SPECIFIED:		APVD M.Westen 13-May-2009														
<table border="0"> <tr><td>0 PLC</td><td>±0.5</td></tr> <tr><td>1 PLC</td><td>±0.3</td></tr> <tr><td>2 PLC</td><td>±</td></tr> <tr><td>3 PLC</td><td>±</td></tr> <tr><td>4 PLC</td><td>±</td></tr> <tr><td>ANGLES</td><td>±2°</td></tr> <tr><td>FINISH</td><td>-</td></tr> </table>		0 PLC				±0.5	1 PLC	±0.3	2 PLC	±	3 PLC	±	4 PLC	±	ANGLES	±2°
0 PLC	±0.5															
1 PLC	±0.3															
2 PLC	±															
3 PLC	±															
4 PLC	±															
ANGLES	±2°															
FINISH	-															
MATERIAL SEE TABLE		APPLICATION SPEC -	NAME 3POS CLUSTER BLOCK HOUSING													
		WEIGHT -	SIZE A3	CAGE CODE -	DRAWING NO C-1955415											
		Customer Drawing	SCALE 3:1	SHEET 1 OF 1	REV A3											