



Chipsmall Limited consists of a professional team with an average of over 10 year of expertise in the distribution of electronic components. Based in Hongkong, we have already established firm and mutual-benefit business relationships with customers from,Europe,America and south Asia,supplying obsolete and hard-to-find components to meet their specific needs.

With the principle of "Quality Parts,Customers Priority,Honest Operation,and Considerate Service",our business mainly focus on the distribution of electronic components. Line cards we deal with include Microchip,ALPS,ROHM,Xilinx,Pulse,ON,Everlight and Freescale. Main products comprise IC,Modules,Potentiometer,IC Socket,Relay,Connector.Our parts cover such applications as commercial,industrial, and automotives areas.

We are looking forward to setting up business relationship with you and hope to provide you with the best service and solution. Let us make a better world for our industry!



Contact us

Tel: +86-755-8981 8866 Fax: +86-755-8427 6832

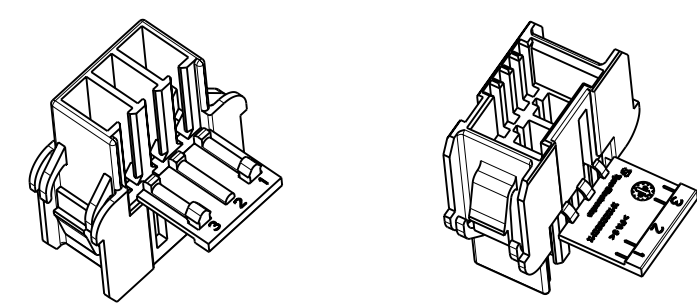
Email & Skype: info@chipsmall.com Web: www.chipsmall.com

Address: A1208, Overseas Decoration Building, #122 Zhenhua RD., Futian, Shenzhen, China



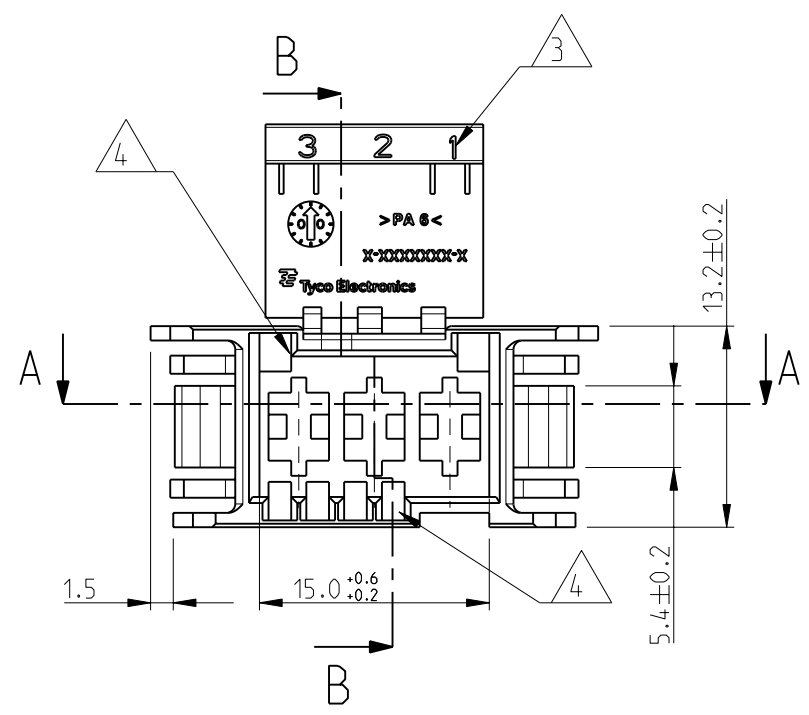
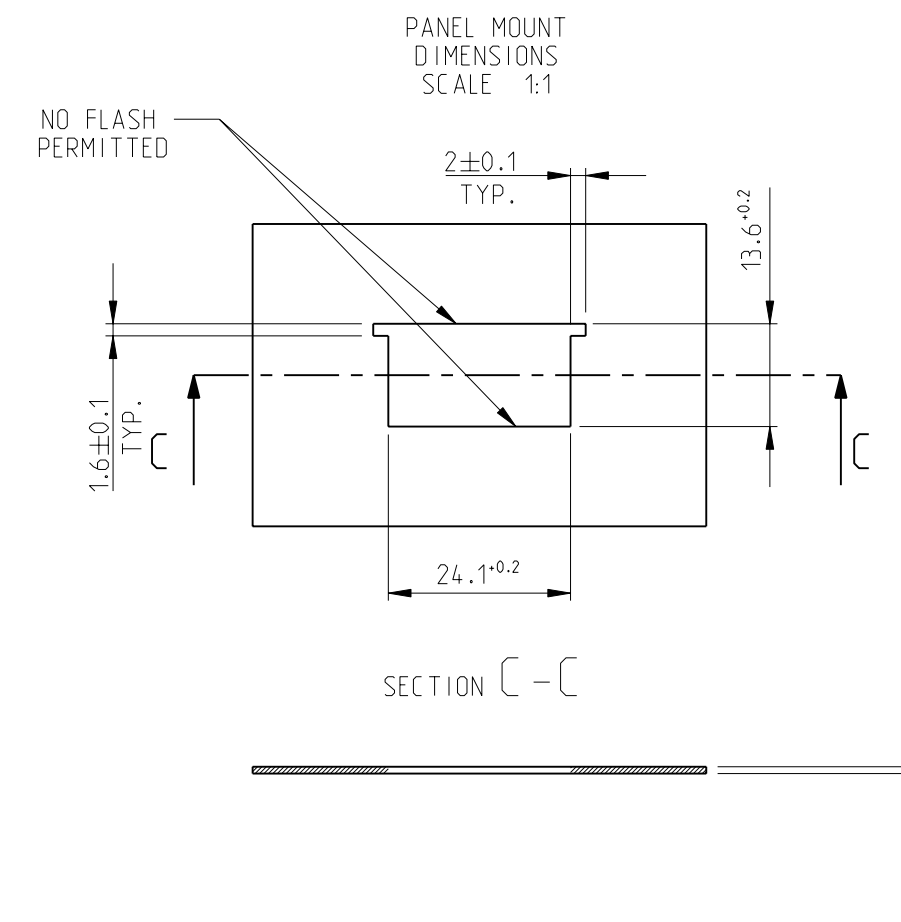
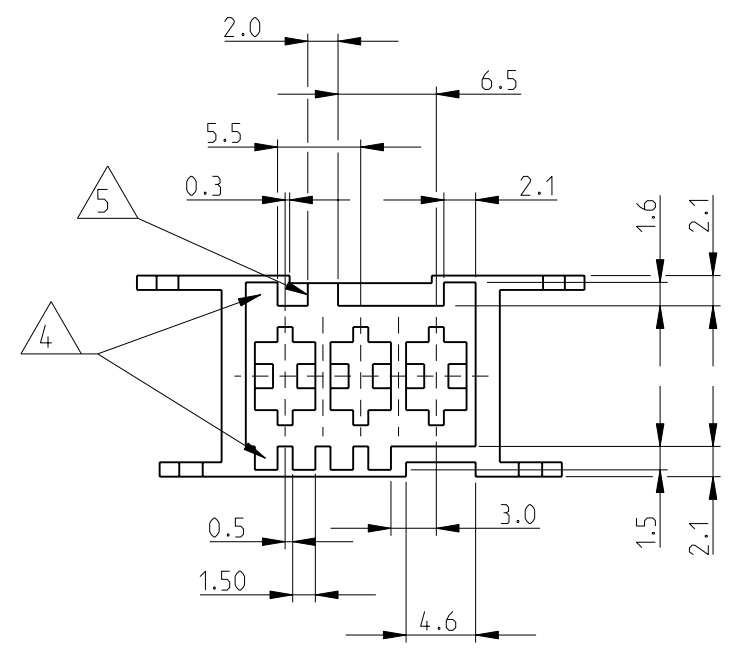
THIS DRAWING IS UNPUBLISHED. RELEASED FOR PUBLICATION 2009
 © COPYRIGHT 2009 BY TYCO ELECTRONICS CORPORATION. ALL RIGHTS RESERVED.

LOC		DIST		REVISIONS			
P	LTR	DESCRIPTION	DATE	DWN	APVD		
	A	INITIAL RELEASE	05JAN2010	DMK	RRP		

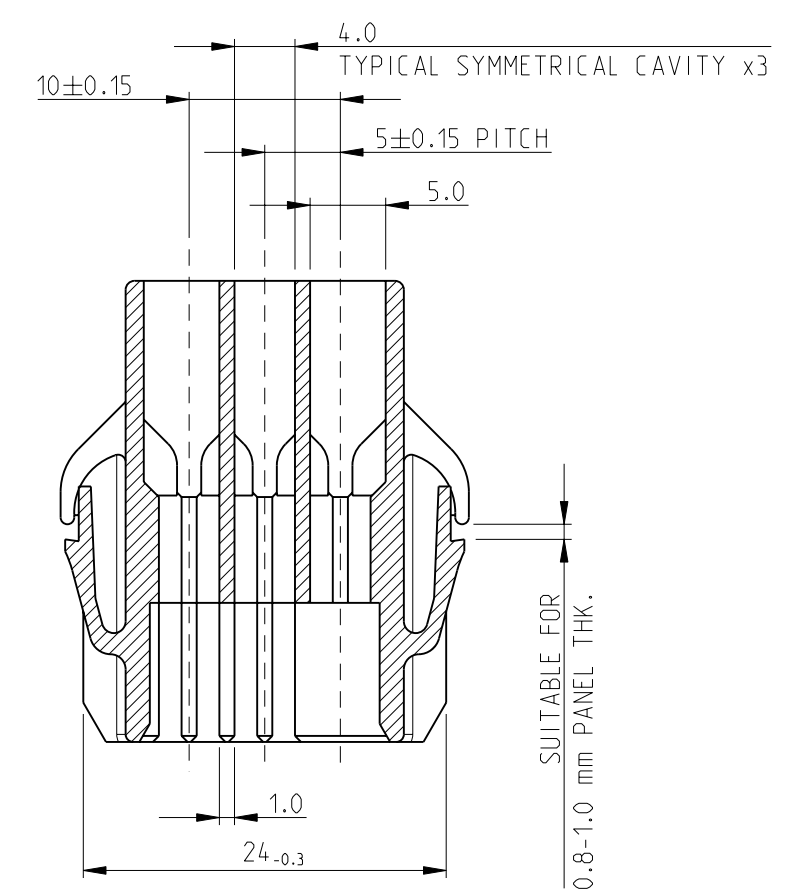


SCALE 1:1

POLARIZATION KEYS SCHEME

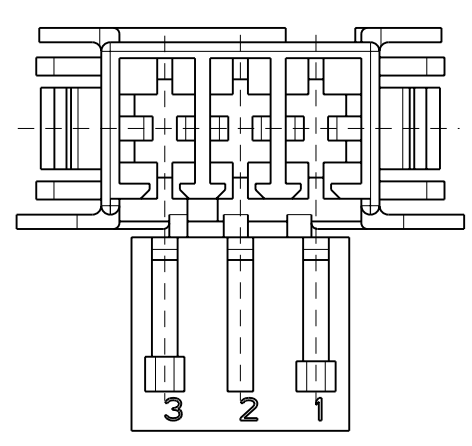
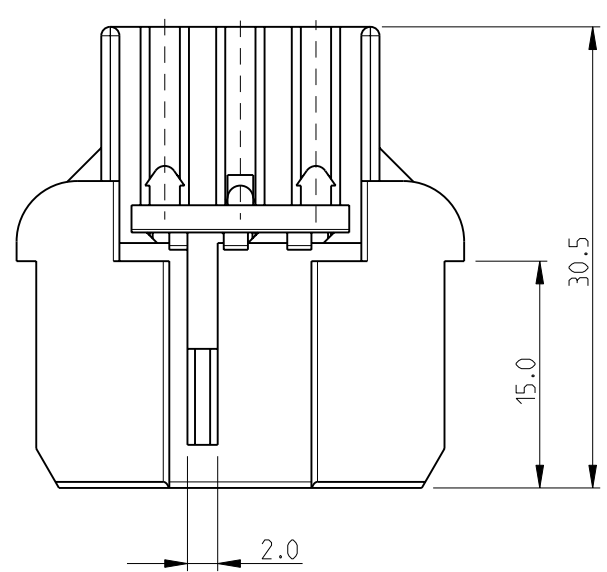
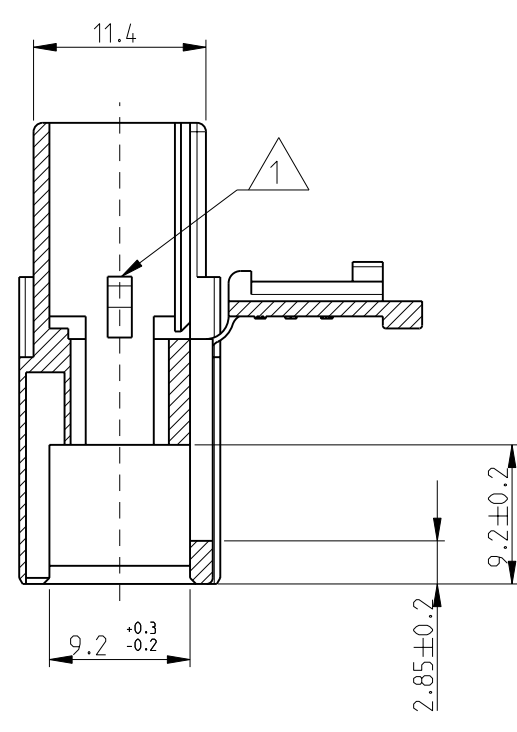


SECTION A-A



SUITABLE FOR
0.8-1.0 mm PANEL THK.

SECTION B-B



- NOTES:
- 1 TYPICAL CAVITY SUITABLE FOR:
FASTIN-FASTON TAB CONTACTS 6.3 mm SRS:
P/N: 60294, 0.3-0.8 mm² WIRE RANGE
160691, 0.3-0.8 mm² WIRE RANGE
AMPLIVAR CONTACTS:
P/N: 141051, 0.1-0.5 mm² WIRE RANGE
142411, 0.3-1.6 mm² WIRE RANGE
MAX. INSULATION DIA. 2.8 mm,
MAX. INSULATION CRIMP WIDTH 3.3 mm.
 - 2 MATERIAL: PA 6 UNFILLED, UL94 V2
ACCORDING TO IEC-60335-1 NORMS
 - 3 CIRCUIT IDENTIFICATION NUMBERS, 1 TO 3
 - 4 POLARIZATION KEYS DIMENSIONS AND POSITIONS
ARE ACCORDING TO "RAST 5" NORM
RAST CODE 03-K
 - 5 GROOVE FOR LOCKING SPRING BETWEEN
CAVITY NO. 2 AND 3

PN 0-1 AS SHOWN

NATURAL	2	0-1955416-1
SURFACE / COLOR	MATERIAL	PART NO.

THIS DRAWING IS A CONTROLLED DOCUMENT FOR TYCO ELECTRONICS CORPORATION IT IS SUBJECT TO CHANGE AND THE CONTROLLING ENGINEERING ORGANIZATION SHOULD BE CONTACTED FOR THE LATEST REVISION.		DWN 13MAY2009 DHANESH.MK	Tyco Electronics Corporation India (P) Ltd Bangalore, India	
DIMENSIONS: mm		CHK 19MAY2009 RAJENDRA	NAME 3 POS. FASTIN-FASTON CONNECTOR TAB HOUSING, RAST 5	
TOLERANCES UNLESS OTHERWISE SPECIFIED:		APVD 19MAY2009 M.WESTEN	PRODUCT SPEC 108-20256	
0 PLC ±0.2		APPLICATION SPEC		
1 PLC ±0.2		WEIGHT -		
2 PLC ±		SIZE A2		
3 PLC ±		CAGE CODE 00779		
4 PLC ±		DRAWING NO 1955416		
ANGLES ±1°		RESTRICTED TO -		
FINISH		SCALE 5:1		
MATERIAL 2		SHEET 1 OF 1		
		REV A		