



Chipsmall Limited consists of a professional team with an average of over 10 year of expertise in the distribution of electronic components. Based in Hongkong, we have already established firm and mutual-benefit business relationships with customers from,Europe,America and south Asia,supplying obsolete and hard-to-find components to meet their specific needs.

With the principle of “Quality Parts,Customers Priority,Honest Operation,and Considerate Service”,our business mainly focus on the distribution of electronic components. Line cards we deal with include Microchip,ALPS,ROHM,Xilinx,Pulse,ON,Everlight and Freescale. Main products comprise IC,Modules,Potentiometer,IC Socket,Relay,Connector.Our parts cover such applications as commercial,industrial, and automotives areas.

We are looking forward to setting up business relationship with you and hope to provide you with the best service and solution. Let us make a better world for our industry!



## Contact us

Tel: +86-755-8981 8866 Fax: +86-755-8427 6832

Email & Skype: info@chipsmall.com Web: www.chipsmall.com

Address: A1208, Overseas Decoration Building, #122 Zhenhua RD., Futian, Shenzhen, China



# Chargebuster Ion Gun Installation, Operation and Maintenance



Figure 1. Desco Chargebuster Ion Gun

## Description

The Desco Chargebuster Ion Gun is a point-of-use ionizer used for neutralizing electrostatic charges to eliminate attraction, visual imperfections and contamination issues by dislodging charged dust and debris. It uses compressed clean dry air (CDA) or a compressed gas supply. Less than 1 second discharge times with  $\pm 30$  volt offset voltage balance meet the required limits of ANSI/ESD S20.20 and ESD TR53. A 7-foot ESD hose with trigger switch allows operators freedom of motion and minimizes awkward or unsupported positions. The quick change filter in the console collects small residual particles.

“There is sometimes a need to provide static control in a small defined area or location. This may be done to provide static control within production equipment, in mini-environments, or to facilitate particle removal from part of a product. Ionizers used for this purpose may be blow-off guns or nozzles that work with a supply of compressed air or nitrogen. They may use either nuclear, soft x-ray or any of the previously described types of corona ionization technology. It will be important to choose a method of ionization and cleanliness of the gas supply that is appropriate to the work area.” (ESD handbook ESD TR20.20 section 5.3.6.5.2.4 Point-Of-Use Ionization)

“Necessary non-conductors in the environment cannot lose their electrostatic charge by attachment to ground. Ionization systems provide neutralization of charges on these necessary non-conductive items (circuit board materials and some device packages are examples of necessary non-conductors). Assessment of the ESD hazard created by electrostatic charges on the necessary nonconductors in the work place is required to ensure that appropriate actions are implemented, commensurate with risk to ESDS [ESD sensitive] items”. (ANSI/ESDS20.20 Foreword)

The Chargebuster Ion Gun and its accessories are available as the following item numbers:

Item	Description
<a href="#">19590</a>	Chargebuster Ion Gun, with North America Power Adapter
<a href="#">19599</a>	Chargebuster Ion Gun, without Power Adapter
<a href="#">19591</a>	Air Filter, Pack of 3
<a href="#">19592</a>	Foot Switch
<a href="#">19593</a>	Power Adapter, 120VAC Input, 24VAC Output, North America Plug
<a href="#">50711</a>	Power Adapter, 230VAC Input, 24VAC Output, UK Plug
<a href="#">50712</a>	Power Adapter, 230VAC Input, 24VAC Output, Europe Plug

## Packaging

- 1 Chargebuster Ion Gun with Hose
- 1 Console
- 1 Console Mounting Plate
- 1 Air Filter
- 1 Power Adapter, 120VAC Input, 24VAC Output, North America Plug (19590 only)
- 1 Female Quick Connect Coupling
- 1 S-Hook
- 4 Mounting Screws
- 1 Certificate of Calibration

## Installation

### COMPRESSED GAS REQUIREMENTS

NOTE: Failure to use clean dry air or nitrogen may result in damage to the Chargebuster Ion Gun that is not covered under the Limited Warranty.

The compressed gas supply must be clean dry air or nitrogen supplied by a delivery system that utilizes a refrigerated dryer or equivalent water removal to achieve a limit of about 550 ppm water vapor at 35°F (1.66°C) Dew Point. To prevent particles from entering the console, a 2 micron coalescing filter or better is recommended upstream of the gun console. Note that the filter in the console collects small residual particles and aerosols and does not act as a primary filter. The console filter is rated at 0.01 micron for particulates and is effective down to 0.008 micron for aerosols.

An adequate filter that can be recommended for the inlet of the Chargebuster Ion Gun would be a Finite Filter Grade 10 Media Specification. This provides a 95% coalescing efficiency for aerosols with a 0.7 micron (and greater) particle retention. This removes gross amounts of particles, water and/or oil and aerosols.

A Grade 6 Media provides 99.98% efficiency when almost total removal of liquid aerosols and particles are required in all pressure ranges down to 0.01 microns. Fine filters need to be changed more often.

### MOUNTING THE CONSOLE

Choose a location convenient to the work area and gas supply. The console takes up very little space and is adaptable to a variety of permanent or non-permanent installations. To minimize bends in the Chargebuster Ion Gun's hose, orient the console so that the open end that accepts the filtered air hose to the hand unit points toward the work area, and the male connector points toward the gas supply.

Prior to mounting, plug the RJ-11 cable from the power supply into the jack located on the back of the console.

Use the included screws to attach the mounting plate to the threaded holes on the back of the console. Use suitable screws and fasteners to attach the mounting plate to a flat surface such as a wall or the back of a workbench. When mounting to a hollow wall, be sure to use adequate screws and wall anchors to ensure stability of the installation.

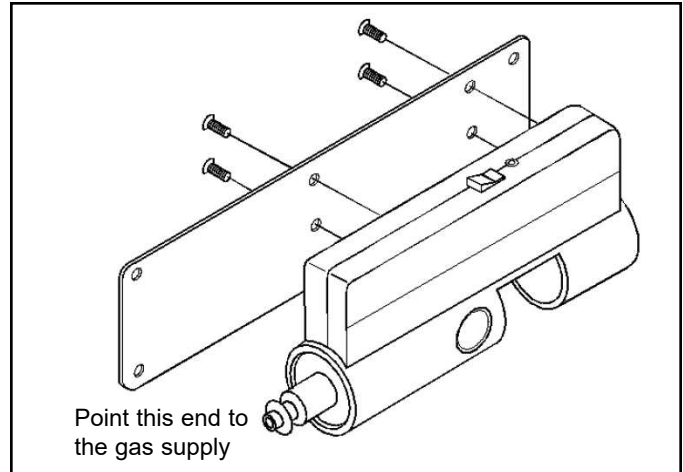


Figure 2. Securing the console to the mounting plate

### MOUNTING TO A GAS SUPPLY

When a gas supply is close to the work area and fitted with a U.S. standard industrial interchange quick coupling, you may attach it to the console directly using the included female quick connect coupling. If a U.S. standard industrial interchange quick coupling is not available on the gas supply, be sure to use a suitable interconnect between the gas supply and the console. Use a prefilter as defined in the COMPRESSED GAS REQUIREMENTS section if necessary.

### ASSEMBLY

NOTE: Protect the hose from sharp objects, abrasion and high temperatures. Do not pull or pinch the hose while assembling the components.

1. Insert the large end of the filter into the fitting at the end of the flexible hose. Push the filter gently until the metal release tab clicks and locks the filter into place.

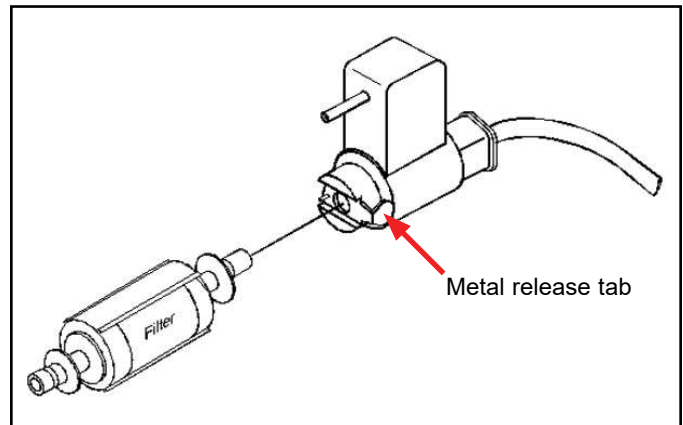


Figure 3. Connecting the air filter to the hose assembly

2. Insert the hose and filter assembly into the console until the console's release button latches on with a click. The small plastic fitting on the end of the filter must align with the metal guide coupling inside the console. You may have to wiggle the filter slightly while inserting it.

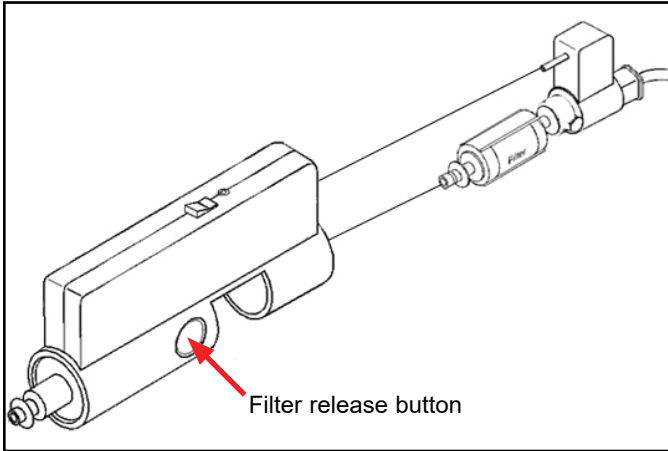


Figure 4. Inserting the hose and filter assembly into the console

3. Connect the male air inlet fitting on the console to the gas supply. The console's fitting is designed for a U.S. standard industrial interchange quick coupling. The console may be connected directly to a gas supply with the included female quick connect coupling or hose (not supplied). Use a prefilter as defined in the COMPRESSED GAS REQUIREMENTS section if necessary.
4. Connect the optional 19592 Foot Switch to the top of the console if necessary.

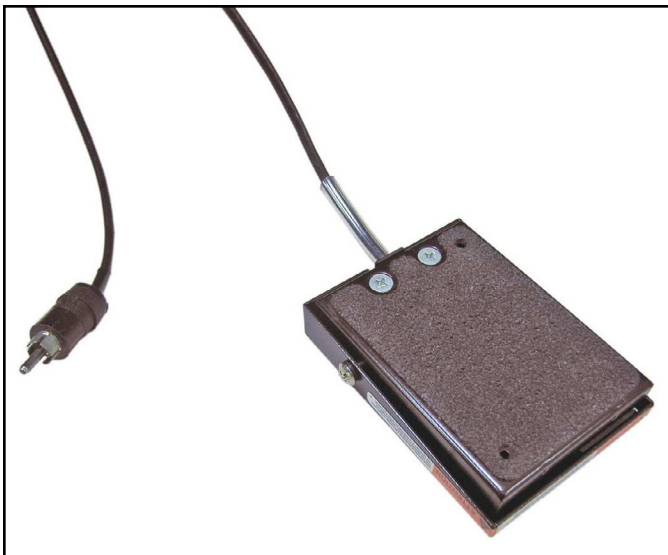


Figure 4. Desco 19592 Foot Switch

5. Use the included S-hook to hang the gun at the workstation if desired.
6. Ensure that the power switch on top of the console is in the OFF position. Connect the power adapter to an appropriate power outlet.

NOTE: Use only Desco 19593, 50711 or 50712 power adapters. Use of other power adapters may result in damage to the unit and void the warranty.

For optimal safety and ionization, set the pressure regulator on the compressed gas supply to 25-65 psi (1.4-4.5 bar). Neutralization (discharge) times vary on gas pressure settings.

NOTE: Pressures of 30-40 psi (2.0-2.8 bar) are commonly used for decontaminating surfaces. Please refer to the pertinent regulations concerning maximum air pressure on hand-held air blow devices in order to determine a safe operating pressure.

The Chargebuster Ion Gun is rated at 65 psi (4.5 bar) inlet pressure at temperatures up to 75° F (24° C), and the rating decreases at higher temperatures. When using high pressures, consider the ambient room temperature as well as heat from surrounding equipment.

## Operation

1. Ensure that the gun's trigger is not depressed. Set the console's power switch to the ON position. The green power LED located next to the power switch should illuminate.
2. Aim the gun approximately 6 inches (15 cm) from the surface to be neutralized and cleaned.
3. Hold down the trigger to blow ionized air. The green LED on the back of the gun will illuminate to indicate ionization. Typically, static charges will be neutralized within one second.
4. Release the trigger when the surface is clean.

Desco recommends turning off the console whenever the Chargebuster Ion Gun is not in use. This will prevent unintentional operation.



Figure 5. Using the Chargebuster Ion Gun

## Maintenance

The Chargebuster Ion Gun requires very little maintenance. Occasional cleaning of the case and emitter points, and periodic replacement of the air filter are all that is required. Always be sure to protect all components from liquids and corrosive chemicals.

**CAUTION:** Always disconnect the Chargebuster Ion Gun from its power and gas supplies before performing any maintenance.

### CLEANING THE COMPONENTS

1. Turn off the console and disconnect it from its electrical power and gas supplies.
2. Moisten a cloth with isopropyl alcohol, and use it to wipe the exterior surfaces of the console and gun. Remove any dirt or dust that may have collected.
3. Moisten a swab with isopropyl alcohol, and use it to gently clean the emitter points in the gun. Extremely dirty points increase the time needed to neutralize static charge and affect ionization offset voltage balance.

### REPLACING THE AIR FILTER

Desco recommends changing the filter every three months or whenever it looks dirty. Replacement filters are available as Desco item 19591.

1. Turn off the console and disconnect it from its electrical power and gas supplies.
2. Hold down the filter release button on the side of the console.

3. Disconnect the hose and filter assembly from the console by pulling the textured plastic ring nearby the hose's spring. Rocking the ring back and forth may help loosen the filter from the console. **DO NOT** pull the hose itself.
4. Pull and disconnect the filter from the hose fitting by depressing the metal release tab. Discard the dirty filter.
5. Install a new filter by following the ASSEMBLY instructions on pages 2-3.

## Calibration

Frequency of recalibration should be based on the critical nature of those ESD sensitive items handled and the risk of failure for the ESD protective equipment and materials. In general, Desco recommends that calibration be performed annually.

Periodically measure the offset voltage balance and neutralization times of the Chargebuster Ion Gun to verify that it is performing within specifications. These measurements should be taken using a charged plate monitor such as EMIT item 50571.

Calibration should be performed in accordance with the ESD Association ionization standard ANSI/ESD STM3.1 or Compliance Verification ESD TR53. At a line pressure of 30 psi (2 bars) and a distance of 6 inches (15 cm), the neutralization (discharge) time of  $\pm 1000V$  to  $\pm 100V$  should be less than 1 second, and the offset voltage balance should be  $\pm 30V$  or better.



Figure 6. EMIT 50571 Charged Plate Analyzer

## Specifications

### General

Input Voltage and Frequency (120VAC External Adapter)	AC Power Adapter Power Input: 120VAC, 60 Hz Power Output: 24VAC, 500mA
Input Voltage and Frequency (230VAC External Adapter)	AC Power Adapter Power Input: 230VAC, 50 Hz Power Output: 24VAC, 500mA
Neutralization (Discharge) Time at 6", 30 psi	< 1 second
Balance (Offset Voltage) at 6", 30 psi	±30V
Power Consumption	10 W
Ion Emission	Steady-State DC
Emitter Points	Tungsten
Audible Noise at 1 m, 30 psi	70 dBA
Ozone	< 0.005 ppm
Blow-off Force	41 g @ 30 psi; measured at 3" from a 2" diameter target
Air Hose	Static-dissipative polyurethane, 3/8" outside diameter; 7' length
Gas Input	20-65 psi, Clean Dry Air (CDA) or nitrogen
Gas Connection	1/4" male industrial interchange quick disconnect
Gas Air Filter	99.9% efficient, 0.01 micron or larger air particles; 99.9% coalescing efficiency
Mounting	Metal mounting plate attaches to back of console
Enclosure	Static-dissipative polycarbonate
Dimensions (Gun)	8" x 3" x 1" (20.3 cm x 7.6 cm x 2.5 cm)
Dimensions (Console)	8.5" x 3.0" x 1.6" (21.6 cm x 7.6 cm x 4.1 cm)
Weight (Gun with Air Hose)	0.8 lbs (0.4 kg)
Weight (Console)	0.7 lbs (0.3 kg)
Calibration Type	NIST
Certifications	CE, RoHS2
Country of Origin	China

### Limited Warranty, Warranty Exclusions, Limit of Liability and RMA Request Instructions

See the Desco Warranty -

<http://desco.descoindustries.com/Limited-Warranty.aspx>