



Chipsmall Limited consists of a professional team with an average of over 10 year of expertise in the distribution of electronic components. Based in Hongkong, we have already established firm and mutual-benefit business relationships with customers from,Europe,America and south Asia,supplying obsolete and hard-to-find components to meet their specific needs.

With the principle of “Quality Parts,Customers Priority,Honest Operation,and Considerate Service”,our business mainly focus on the distribution of electronic components. Line cards we deal with include Microchip,ALPS,ROHM,Xilinx,Pulse,ON,Everlight and Freescale. Main products comprise IC,Modules,Potentiometer,IC Socket,Relay,Connector.Our parts cover such applications as commercial,industrial, and automotives areas.

We are looking forward to setting up business relationship with you and hope to provide you with the best service and solution. Let us make a better world for our industry!



Contact us

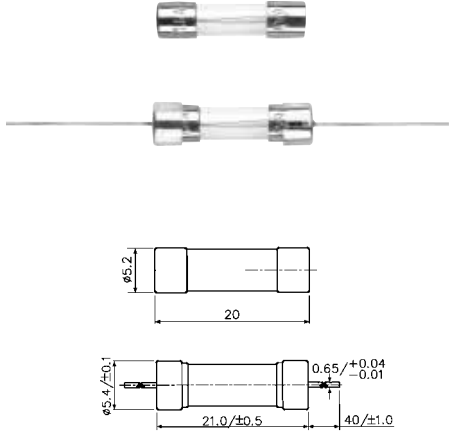
Tel: +86-755-8981 8866 Fax: +86-755-8427 6832

Email & Skype: info@chipsmall.com Web: www.chipsmall.com

Address: A1208, Overseas Decoration Building, #122 Zhenhua RD., Futian, Shenzhen, China



**5x20mm
Time-Lag**

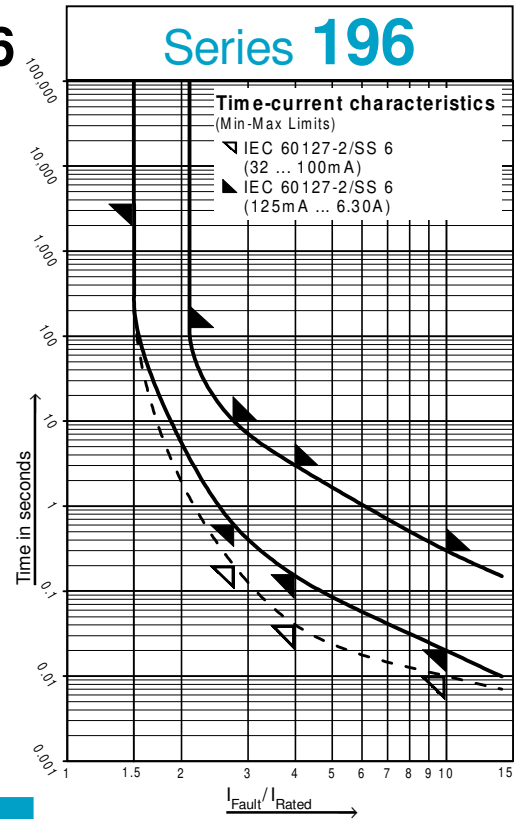


IEC 60127-2/SS 6

- **FaxBack Document # 205**
- **Glass tube**
Brass caps, nickel-plated
- **Approvals:**
cULus Recognized: File No. E 67006
VDE: File No. 43285
- **Packaging:**
00: Bulk (1000 pcs. per Box)
02: Pack (10 pcs. per Pack)
40: Axial Leads/Bulk
43: Axial Leads/Tape & Reel (1000 pcs. per Reel)



Series 196



Note: Contact WICKMANN for individual I-t curves

• Limits for Pre-arcing Time

| Rated Current | 150% | 210% | 275% | 400% | 1000% |
|-----------------|------|--------|---------------|--------------|--------------|
| 32 ... 100mA | > 1h | < 2min | 200ms ... 10s | 40ms ... 3s | 10 ... 300ms |
| 125mA ... 6.30A | > 1h | < 2min | 600ms ... 10s | 150ms ... 3s | 20 ... 300ms |

Permissible continuous operating current is ≤ 100% at ambient temperature of 23°C (73.4°F).

| Rated Current / Rated Voltage | Amp Code | Breaking Capacity | Voltage Drop (max) ¹ 100% x I _{Rated} (mV) | Power Dissipation (max) ¹ 150% x I _{Rated} (W) | Melting Integral (min) 1000% x I _{Rated} (A ² s) | Approvals | |
|-------------------------------|----------|-----------------------------------|--|--|--|-----------|-------|
| | | | | | | VDE | cULus |
| 32mA / 250V | 0032 | E ≅ 150A at 250VAC cos φ = 1.0 | 5000 | 1.6 | 0.01 | • | • |
| 40mA / • | 0040 | | 4000 | 1.6 | 0.011 | • | • |
| 50mA / • | 0050 | | 3500 | 1.6 | 0.019 | • | • |
| 63mA / • | 0063 | | 3000 | 1.6 | 0.035 | • | • |
| 80mA / • | 0080 | | 3000 | 1.6 | 0.052 | • | • |
| 100mA / • | 0100 | | 2500 | 1.6 | 0.075 | • | • |
| 125mA / • | 0125 | | 2000 | 1.6 | 0.13 | • | • |
| 160mA / • | 0160 | | 1900 | 1.6 | 0.24 | • | • |
| 200mA / • | 0200 | | 1500 | 1.6 | 0.3 | • | • |
| 250mA / • | 0250 | | 1300 | 1.6 | 0.33 | • | • |
| 315mA / • | 0315 | | 1100 | 1.6 | 1.2 | • | • |
| 400mA / • | 0400 | | 1000 | 1.6 | 2.4 | • | • |
| 500mA / • | 0500 | | 900 | 1.6 | 4.4 | • | • |
| 630mA / • | 0630 | | 300 | 1.6 | 7.5 | • | • |
| 800mA / • | 0800 | | 250 | 1.6 | 11 | • | • |
| 1.00A / • | 1100 | | 150 | 1.6 | 15 | • | • |
| 1.25A / • | 1125 | | 150 | 1.6 | 22 | • | • |
| 1.60A / • | 1160 | | 150 | 1.6 | 36 | • | • |
| 2.00A / • | 1200 | | 150 | 1.6 | 16 | • | • |
| 2.50A / • | 1250 | | 120 | 1.6 | 17 | • | • |
| 3.15A / • | 1315 | | 100 | 1.6 | 30 | • | • |
| 4.00A / • | 1400 | | 100 | 1.6 | 54 | • | • |
| 5.00A / • | 1500 | | 100 | 1.6 | 130 | • | • |
| 6.30A / • | 1630 | | 100 | 1.6 | 140 | • | • |

¹ values according to IEC 60127; WICKMANN values may be lower

• Order Information

| Qty. | Order-Number | Series | Amp Code | Packaging |
|------|--------------|------------|----------|-----------|
| | | 196 | | 0 |