



Chipsmall Limited consists of a professional team with an average of over 10 year of expertise in the distribution of electronic components. Based in Hongkong, we have already established firm and mutual-benefit business relationships with customers from,Europe,America and south Asia,supplying obsolete and hard-to-find components to meet their specific needs.

With the principle of “Quality Parts,Customers Priority,Honest Operation,and Considerate Service”,our business mainly focus on the distribution of electronic components. Line cards we deal with include Microchip,ALPS,ROHM,Xilinx,Pulse,ON,Everlight and Freescale. Main products comprise IC,Modules,Potentiometer,IC Socket,Relay,Connector.Our parts cover such applications as commercial,industrial, and automotives areas.

We are looking forward to setting up business relationship with you and hope to provide you with the best service and solution. Let us make a better world for our industry!



Contact us

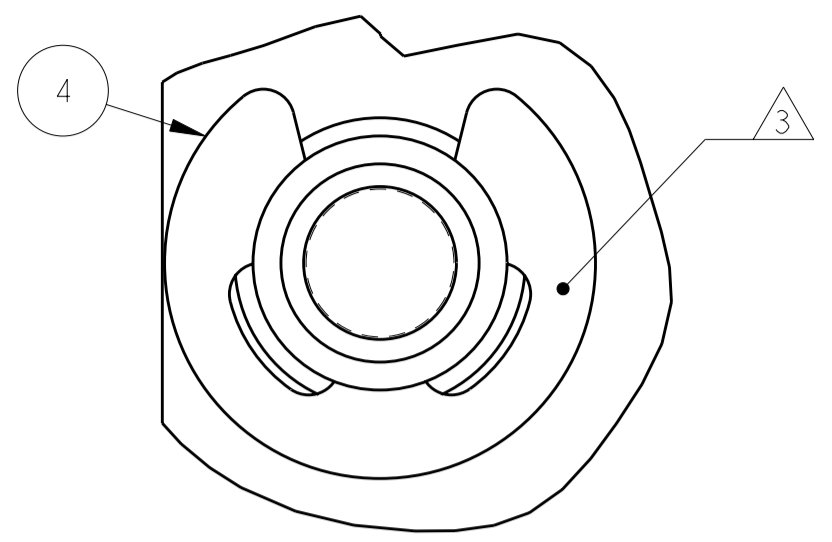
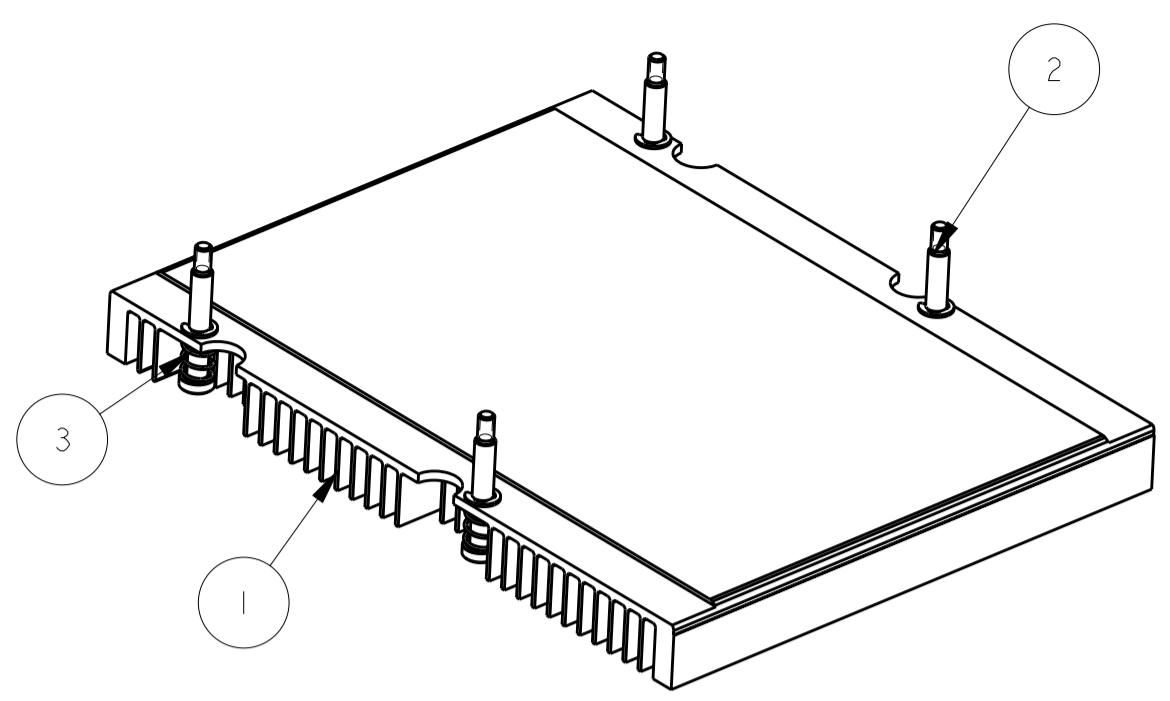
Tel: +86-755-8981 8866 Fax: +86-755-8427 6832

Email & Skype: info@chipsmall.com Web: www.chipsmall.com

Address: A1208, Overseas Decoration Building, #122 Zhenhua RD., Futian, Shenzhen, China



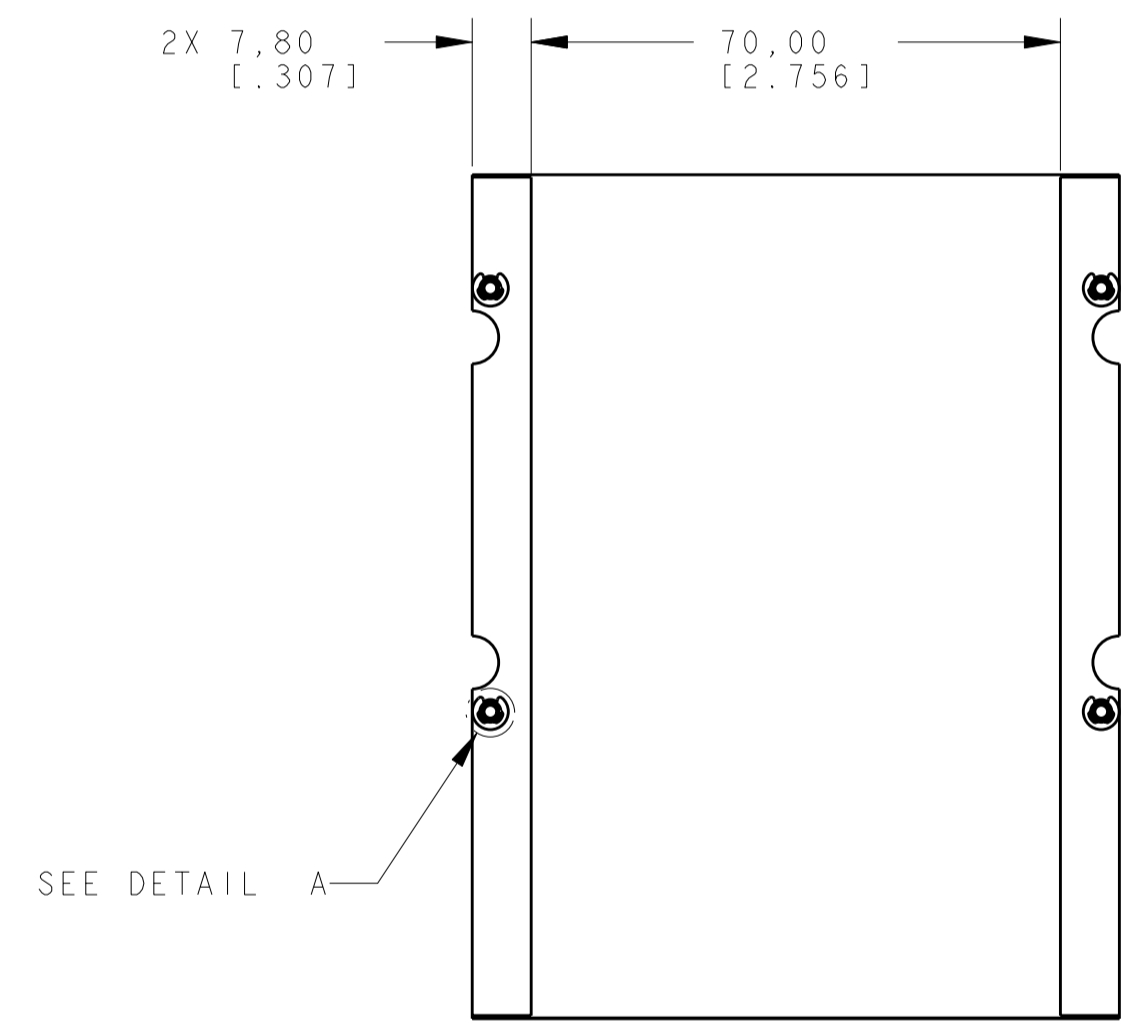
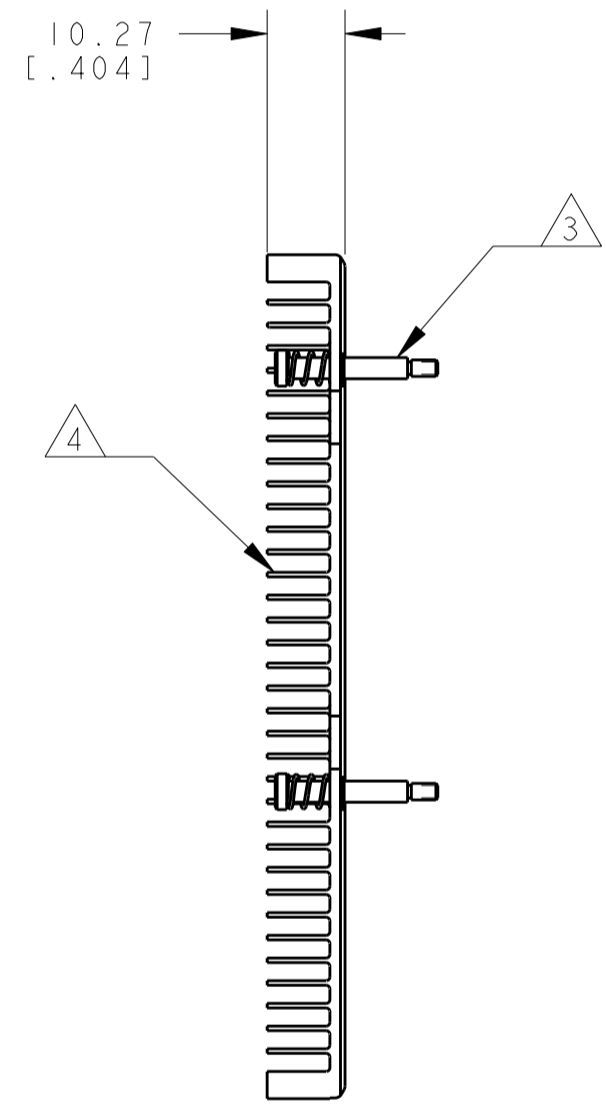
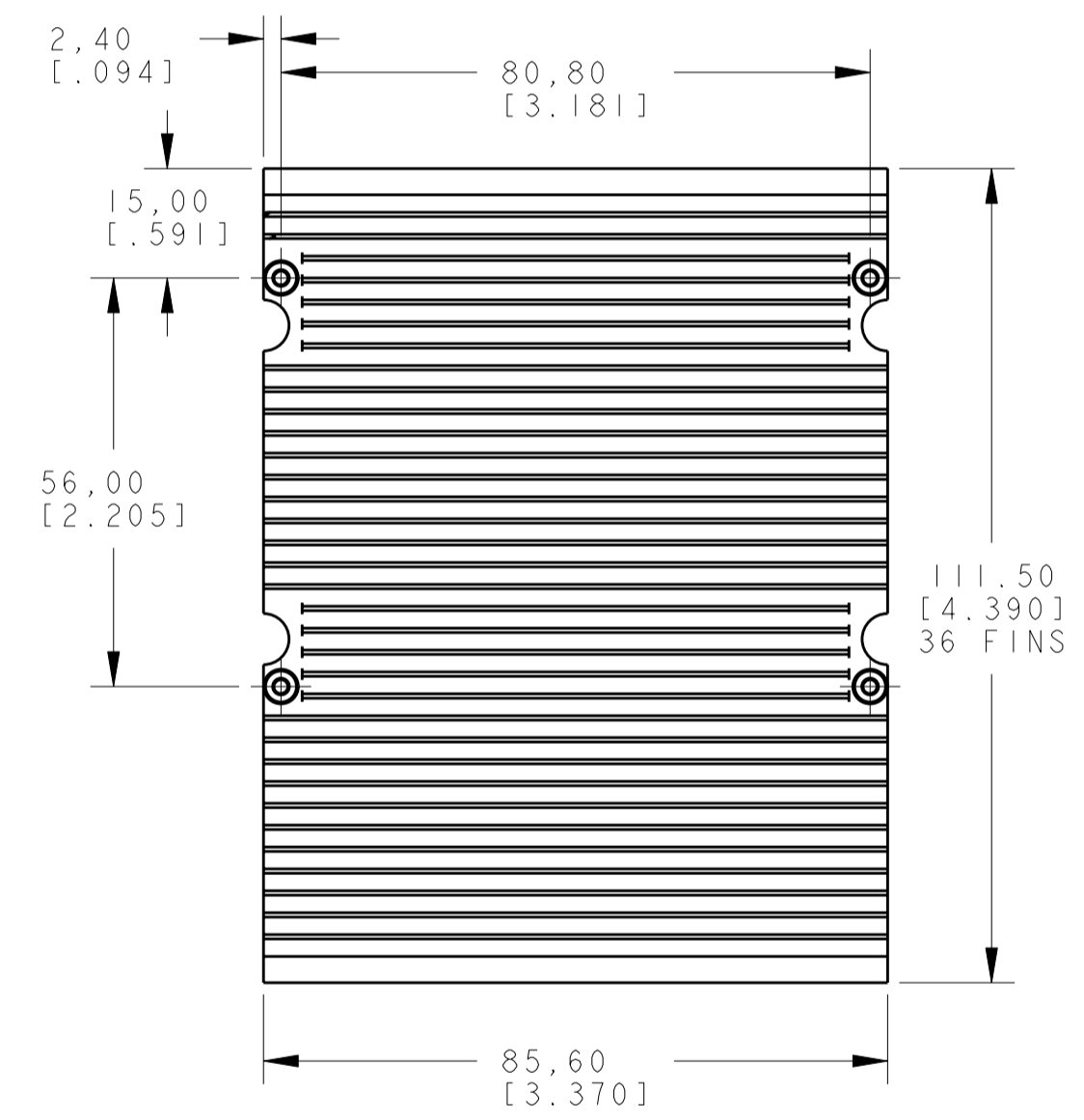
LOC	DIST	REVISIONS			
P	LTR	DESCRIPTION	DATE	DWN	APVD
	C2	REVISED PER ECO-11-004587	11MAR2011	RK	HMR
	D	REVISED ECR-11-020698	25OCT2011	C.D	C.W



DETAIL A
SCALE 12.000

- 1 AS SHOWN

- NOTES: UNLESS OTHERWISE SPECIFIED:
- ① HEATSINK MATERIAL: ALUMINUM ALLOY
 - ② FINISH: ANNOXIDIZED
 - ③ 2-56 SHOULDER BOLT AND SPRING PRE-ASSEMBLED AND HELD IN PLACE WITH CLIP
 - ④ FULL ROUND PERMITTED ON TOP OF HEATSINK FINS



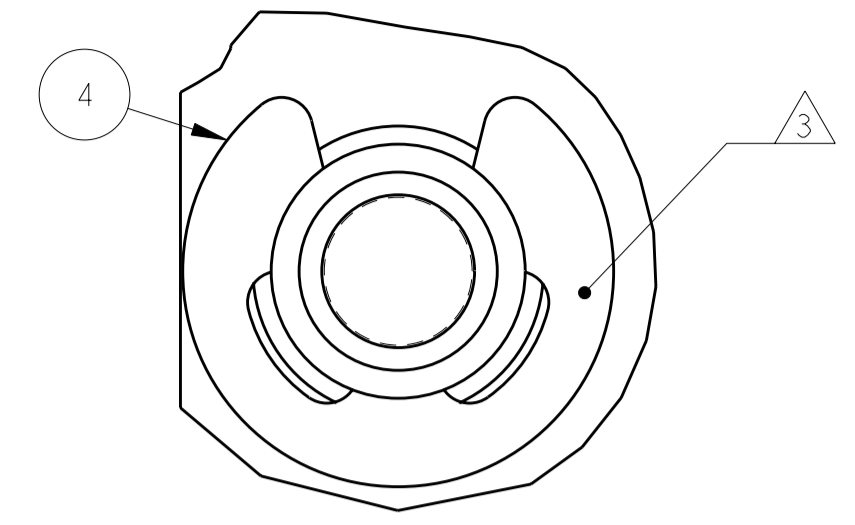
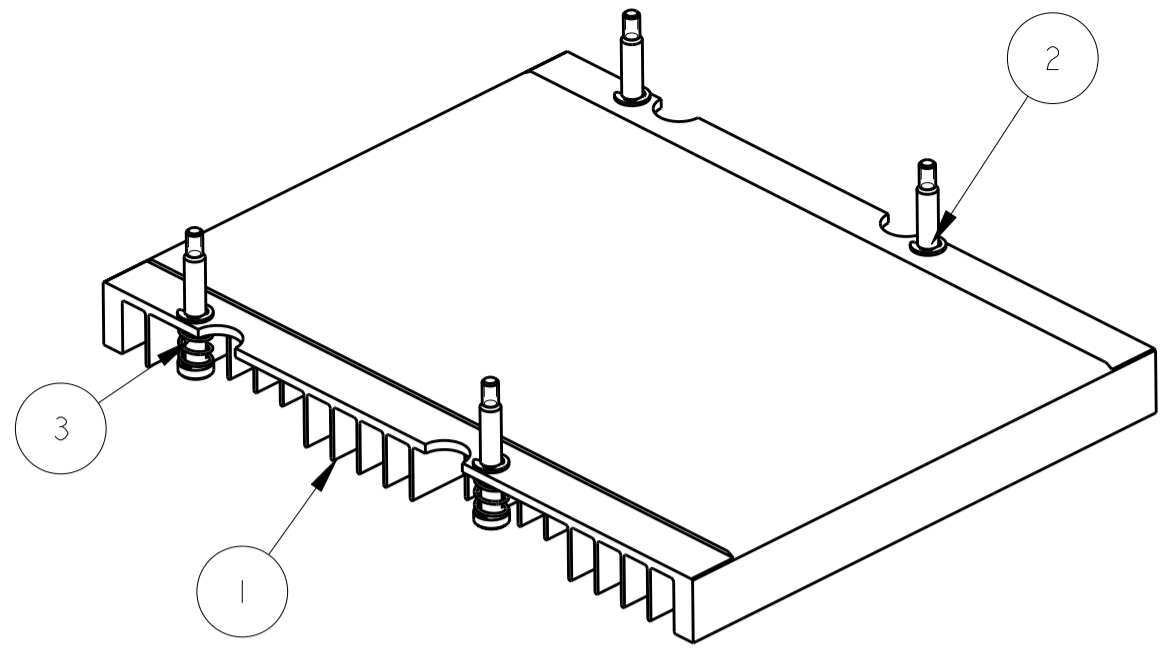
SEE DETAIL A

QTY	UNIT	DESCRIPTION	ITEM NO.
4	4	E-CLIP	4
4	4	SPRING	3
4	4	2-56 SHOULDER SCREW	2
1	-	HEAT SINK (22 FINS)	1
-	1	HEAT SINK (36 FINS)	
-2	-1	DESCRIPTION	ITEM NO.

THIS DRAWING IS A CONTROLLED DOCUMENT.		DWN BM 3-5-09	TE Connectivity	
DIMENSIONS: mm (inch)		CHK B. STRATTON 3-5-09		
TOLERANCES UNLESS OTHERWISE SPECIFIED:		APVD J. FARY 5-11-09	NAME HEAT SINK ASSEMBLY 100 GIG PLUGGABLE	
0 PLC ± 1 PLC ±0.5 2 PLC ±0.25 3 PLC ±0.125 4 PLC ±0.0001° ANGLES ± FINISH		PRODUCT SPEC -	SIZE CAGE CODE DRAWING NO RESTRICTED TO	
MATERIAL ①		APPLICATION SPEC -	A20779C-1963856	
		WEIGHT -	SCALE 1.000 SHEET 1 OF 2 REV D	
		CUSTOMER DRAWING		

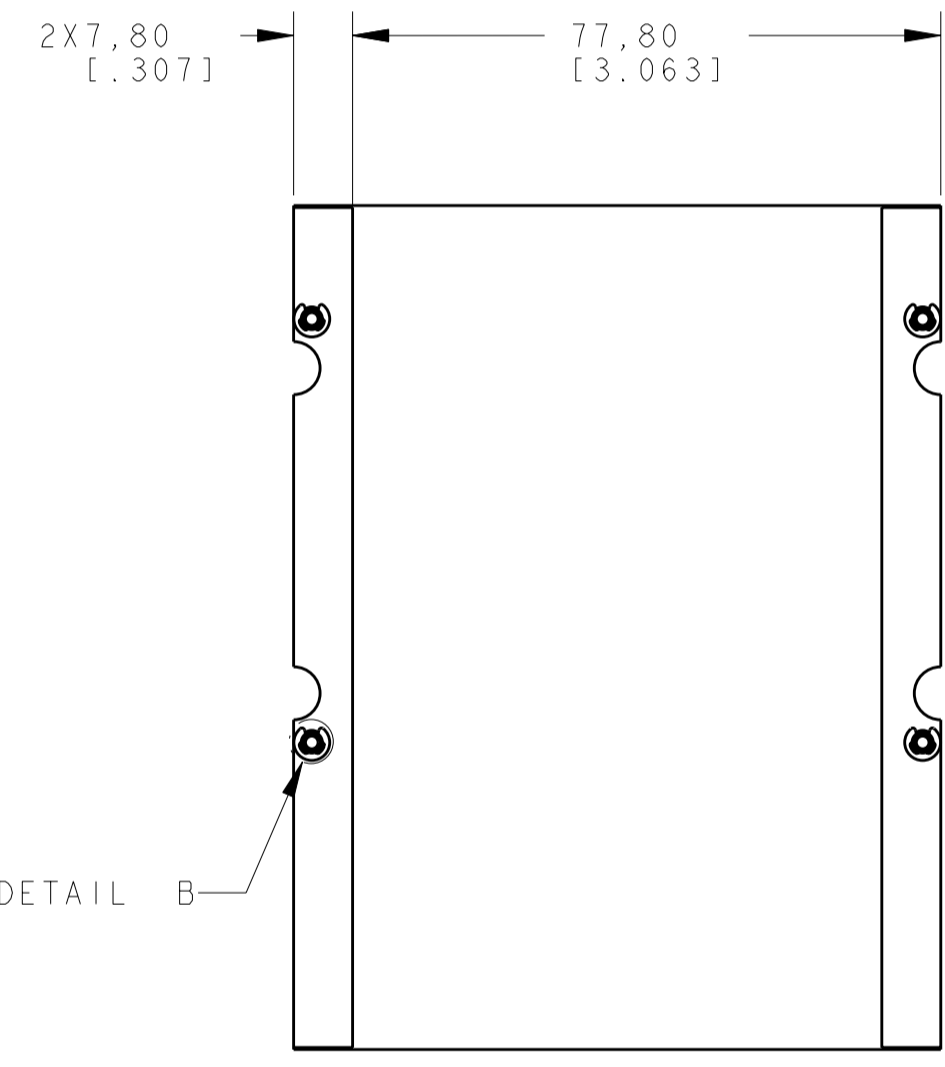
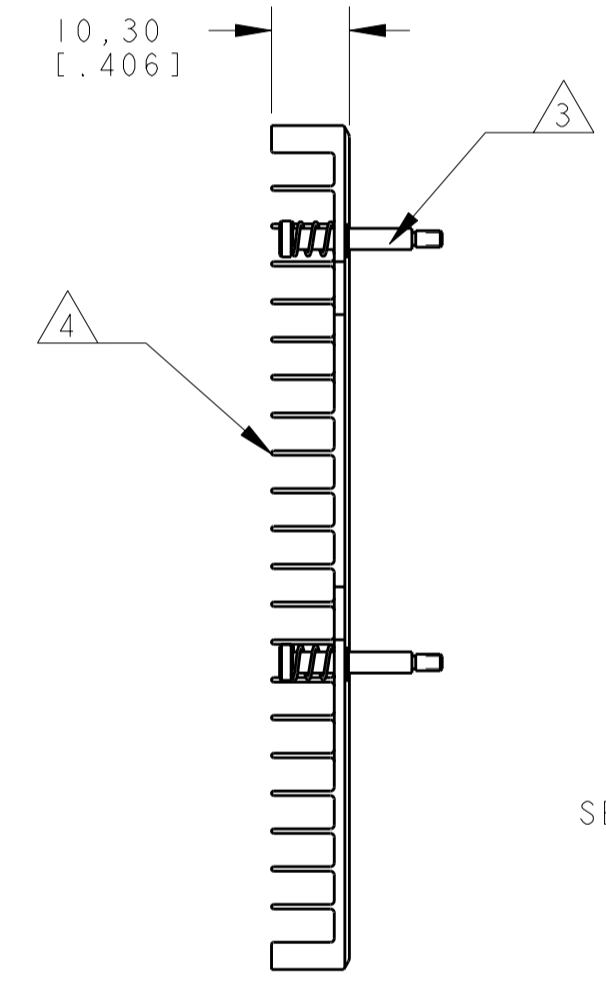
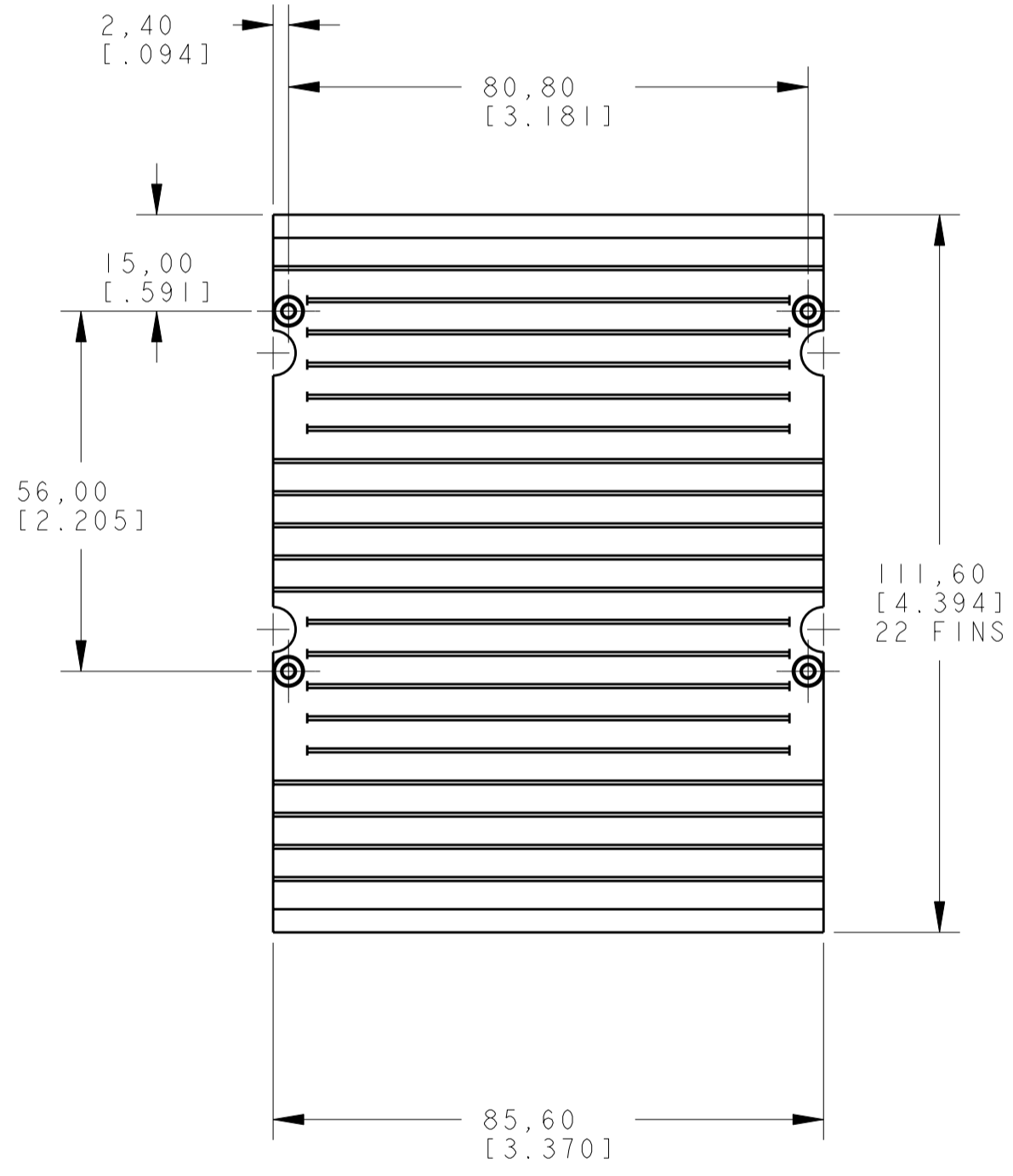
THIS DRAWING IS UNPUBLISHED. RELEASED FOR PUBLICATION 20
 © COPYRIGHT 20 BY - ALL RIGHTS RESERVED.

LOC	DIST	REVISIONS				
P	LTR	DESCRIPTION	DATE	DWN	APVD	
-	-	SEE SHEET 1	-	-	-	



DETAIL B
SCALE 12.000

- 2 AS SHOWN



THIS DRAWING IS A CONTROLLED DOCUMENT.		DWN C.D	25OCT2011	TE Connectivity	
DIMENSIONS: mm (inch)		CHK C.W	25OCT2011		
TOLERANCES UNLESS OTHERWISE SPECIFIED:		APVD C.W	25OCT2011	NAME HEAT SINK ASSEMBLY 100 GIG PLUGGABLE	
0 PLC ±		PRODUCT SPEC		SIZE	
1 PLC ±0.5		APPLICATION SPEC		CAGE CODE	
2 PLC ±0.25		WEIGHT		DRAWING NO	
3 PLC ±0.125		CUSTOMER DRAWING		RESTRICTED TO	
4 PLC ±0.0001°		SCALE 1.000		SHEET 2 OF 2	
ANGLES ±		REV D		REV D	
FINISH		A20779C-1963856		REV D	