



Chipsmall Limited consists of a professional team with an average of over 10 year of expertise in the distribution of electronic components. Based in Hongkong, we have already established firm and mutual-benefit business relationships with customers from,Europe,America and south Asia,supplying obsolete and hard-to-find components to meet their specific needs.

With the principle of “Quality Parts,Customers Priority,Honest Operation,and Considerate Service”,our business mainly focus on the distribution of electronic components. Line cards we deal with include Microchip,ALPS,ROHM,Xilinx,Pulse,ON,Everlight and Freescale. Main products comprise IC,Modules,Potentiometer,IC Socket,Relay,Connector.Our parts cover such applications as commercial,industrial, and automotives areas.

We are looking forward to setting up business relationship with you and hope to provide you with the best service and solution. Let us make a better world for our industry!



## Contact us

Tel: +86-755-8981 8866 Fax: +86-755-8427 6832

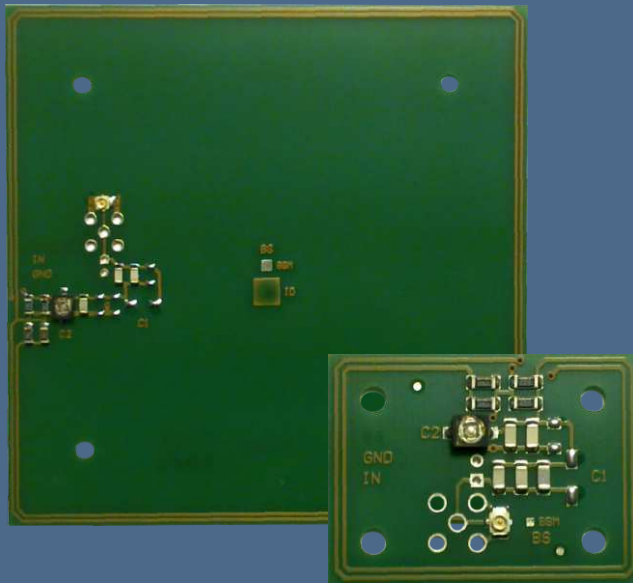
Email & Skype: info@chipsmall.com Web: www.chipsmall.com

Address: A1208, Overseas Decoration Building, #122 Zhenhua RD., Futian, Shenzhen, China



## ID ISC.ANT40/30 & ID ISC.ANT100/100

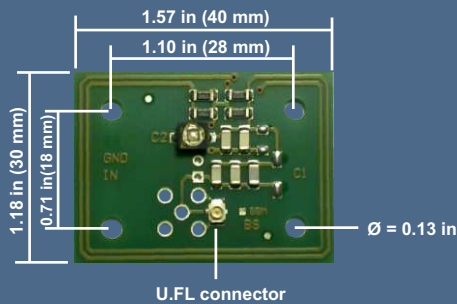
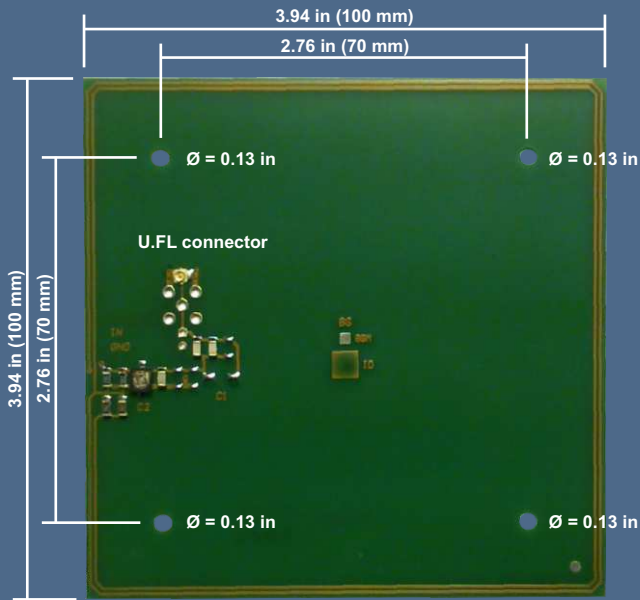
HF-Antennas for RFID proximity reader



Pictures show layout with U.FL connector

- RFID antenna - Impedance: 50  $\Omega$
- Frequency: 13.56 MHz
- Transmitting power: 1 W max.
- Data transfer rate up to 424 kbits/s
- Reading distance up to 5.87 in (14 cm) (ID ISC.ANT100.100)\*
- 2 pin or U.FL connector option

- Vending
- eTicketing
- eMobility



Pictures show layout with U.FL connector

The external antennas ID ISC.ANT40/30 and ID ISC.ANT100/100 could be used with all supported HF reader modules of FEIG ELECTRONIC.

\*The reading ranges depends on the used transponder.  
The ranges are based on an antenna inlay of 2.99 in x 1.77 in (76 mm x 45 mm).

#### Order descriptions

Article no.	Description
1967.000.00	ID ISC.ANT 40/30-A 2-pin connector
3674.000.00	ID ISC.ANT 40/30-U.FL
1968.000.00	ID ISC.ANT 100/100-A 2-pin connector
3673.000.00	ID ISC.ANT 100/100-U.FL

## Specifications

### ID ISC.ANT40/30

Dimensions (W x H)	1.58 in x 1.18 in (40 mm x 30 mm)
Interface	
ID ISC.ANT40/30-A	2-pin connector
ID ISC.ANT40/30-U.FL-A	U.FL connector
Operating frequency	13.56 MHz
Impedance	50 Ω
Transmitting power	1 W max.
Max. reading distance	up to 2.76 in* (7 cm)*
Data transfer rate	up to 424 kbit/s
Power supply	unneeded

### Environmental conditions

Operation	-13°F - 158°F (-25 °C - 70 °C)
Storage	-40°F - 185°F (-40 °C - 85 °C)
Relative humidity	0 % - 95 % (noncondensing)

### ID ISC.ANT100/100

Dimensions (W x H)	3.94 in x 3.94 in (100 mm x 100 mm)
Interface	
ID ISC.ANT100/100-A	2-pin connector
ID ISC.ANT100/100-U.FL-A	U.FL connector

Operation frequency	13.56 MHz
Impedance	50 Ω
Transmitting power	1 W max.
Max. reading distance	up to 5.87 in* (14 cm)*
Data transfer rate	up to 212 kbit/s
Power supply	unneeded

### Environmental conditions

Operation	-13°F - 158°F (-25 °C - 70 °C)
Storage	-40°F - 185°F (-40 °C - 85 °C)
Relative humidity	0 % - 95 % (noncondensing)

## Certifications of conformity

Environment	WEEE – 2002/96/EC RoHS – 2002/95/EC
-------------	--

## Supported products

ID ISC.M02.M8-B  
ID ISC.MRM102-A  
ID ISC.MRM102-USB

ID CPR74.x

FEIG ELECTRONIC reserves the right to change specification without notice at any time.  
State of information: August 2017