



Chipsmall Limited consists of a professional team with an average of over 10 year of expertise in the distribution of electronic components. Based in Hongkong, we have already established firm and mutual-benefit business relationships with customers from,Europe,America and south Asia,supplying obsolete and hard-to-find components to meet their specific needs.

With the principle of “Quality Parts,Customers Priority,Honest Operation,and Considerate Service”,our business mainly focus on the distribution of electronic components. Line cards we deal with include Microchip,ALPS,ROHM,Xilinx,Pulse,ON,Everlight and Freescale. Main products comprise IC,Modules,Potentiometer,IC Socket,Relay,Connector.Our parts cover such applications as commercial,industrial, and automotives areas.

We are looking forward to setting up business relationship with you and hope to provide you with the best service and solution. Let us make a better world for our industry!



Contact us

Tel: +86-755-8981 8866 Fax: +86-755-8427 6832

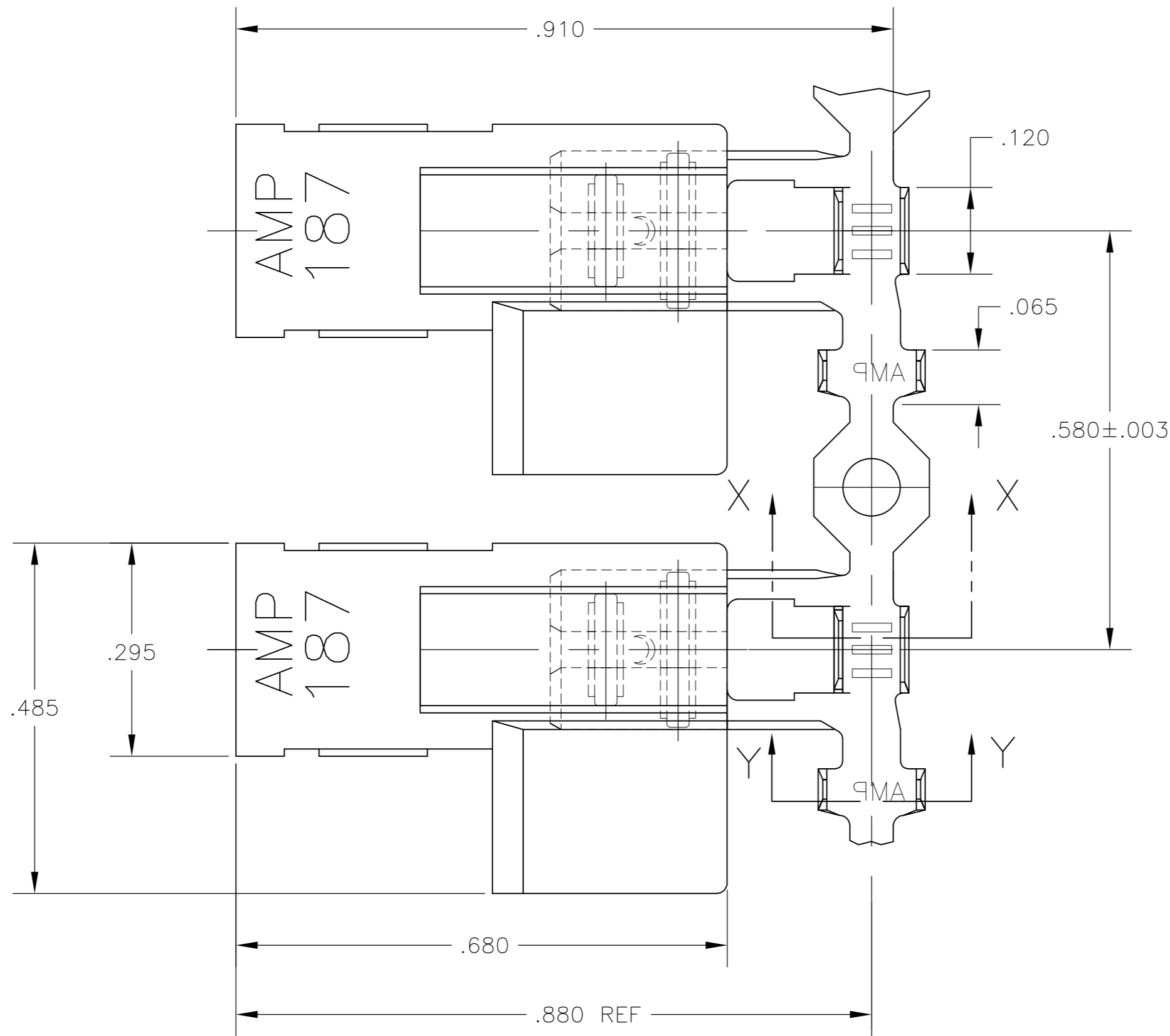
Email & Skype: info@chipsmall.com Web: www.chipsmall.com

Address: A1208, Overseas Decoration Building, #122 Zhenhua RD., Futian, Shenzhen, China

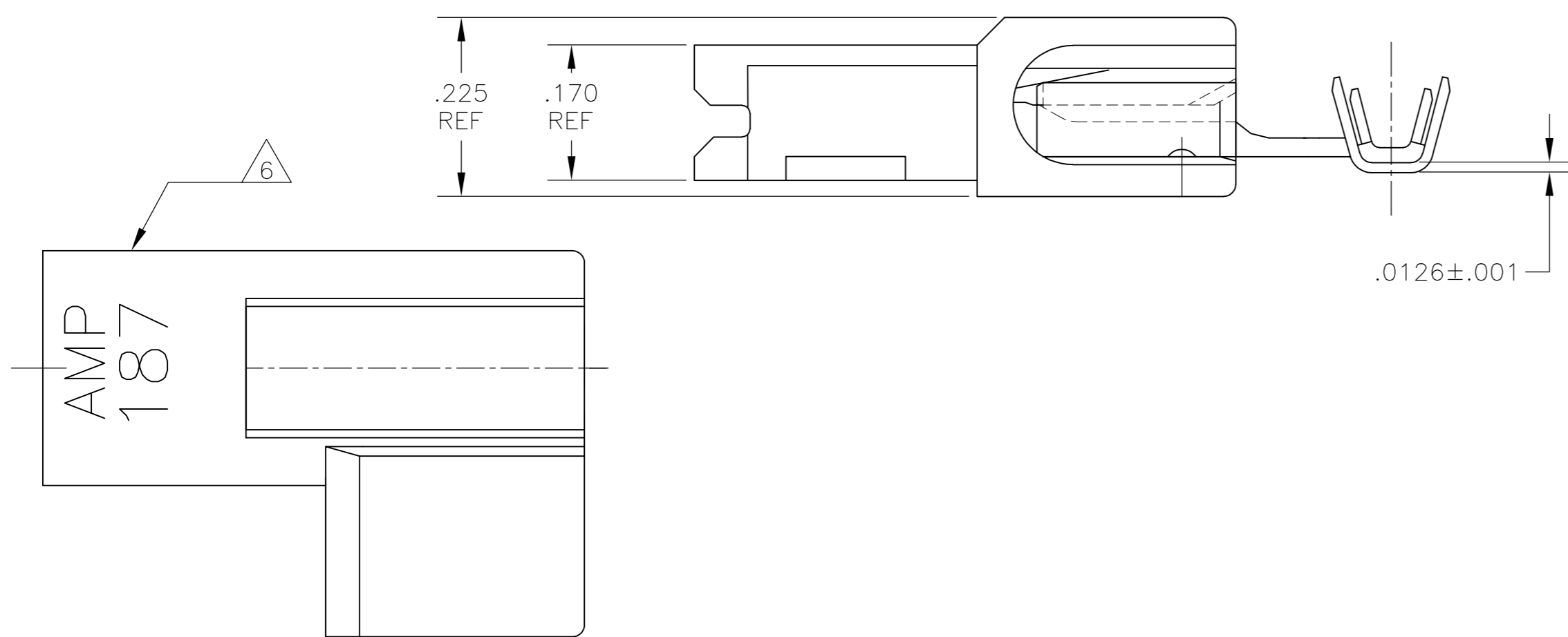
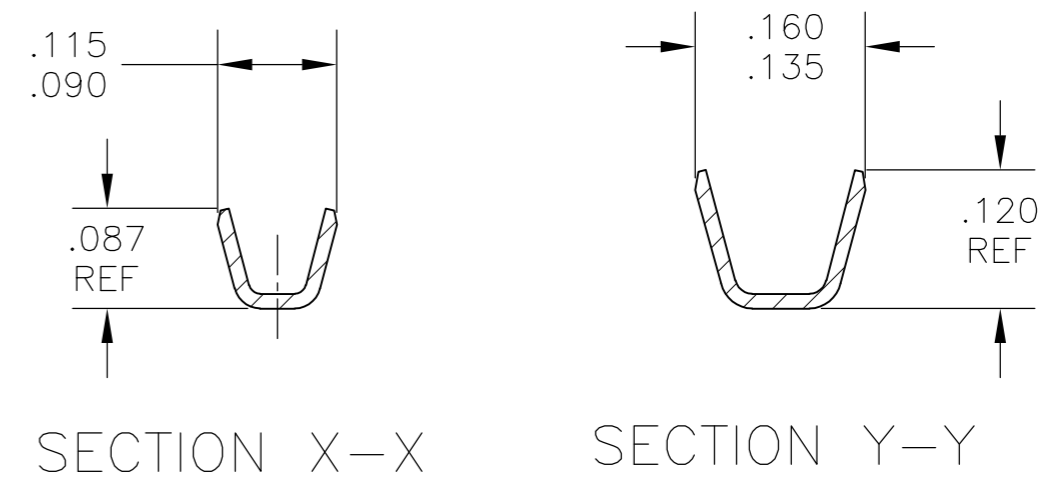


THIS DRAWING IS UNPUBLISHED. RELEASED FOR PUBLICATION
 © COPYRIGHT - By - ALL RIGHTS RESERVED.

LOC	DIST	REVISIONS			
P	LTR	DESCRIPTION	DATE	DWN	APVD
AF	50	B	REVISED PER ECR-12-013062	17DEC12	KH KR



- USE FLAG FASTON TERMINAL BASE
- WIRE SIZE IS #22-#18 AWG
- INSULATION RANGE IS .060-.110 DIA
- MATERIAL;
 TERMINAL: BRASS, FINISH: SEE TABLE
 HOUSING: V2 NYLON, COLOR: NATURAL(WHITE)
- FITS .187 X .032 THK FASTON TAB
- ALTERNATIVE HOUSING FORM
- PRELIMINARY - NOT FOR PRODUCTION
- GLOW WIRE APPROVED; CONTACT TE ENGINEERING FOR SPECIFICATION (ALL WALL THICKNESSES ARE BETWEEN 0.4-3.0[.015-.118])



THIS DRAWING IS A CONTROLLED DOCUMENT.		DWN	RAGHAVENDRA	04APR2007	TE Connectivity	
DIMENSIONS: INCHES		CHK	G D PORTA	04APR2007	ASSEMBLY, RECPT, FLAG, ULTRA-POD, .187 SERIES WIRE SIZE: 22-18 AWG	
TOLERANCES UNLESS OTHERWISE SPECIFIED:		APVD	G D PORTA	04APR2007	SIZE	A2
0 PLC	± -	PRODUCT SPEC	NAME		CAGE CODE	00779
1 PLC	± -	APPLICATION SPEC	DRAWING NO		DRAWING NO	C=1969107
2 PLC	± -		RESTRICTED TO		SCALE	6:1
3 PLC	± .010		SHEET		1 of 1	REV
4 PLC	± -		REV		B	
ANGLES	± -					
MATERIAL	SEE NOTES	FINISH	SEE NOTES	WEIGHT	-	
CUSTOMER DRAWING						