



Chipsmall Limited consists of a professional team with an average of over 10 year of expertise in the distribution of electronic components. Based in Hongkong, we have already established firm and mutual-benefit business relationships with customers from,Europe,America and south Asia,supplying obsolete and hard-to-find components to meet their specific needs.

With the principle of "Quality Parts,Customers Priority,Honest Operation,and Considerate Service",our business mainly focus on the distribution of electronic components. Line cards we deal with include Microchip,ALPS,ROHM,Xilinx,Pulse,ON,Everlight and Freescale. Main products comprise IC,Modules,Potentiometer,IC Socket,Relay,Connector.Our parts cover such applications as commercial,industrial, and automotives areas.

We are looking forward to setting up business relationship with you and hope to provide you with the best service and solution. Let us make a better world for our industry!



Contact us

Tel: +86-755-8981 8866 Fax: +86-755-8427 6832

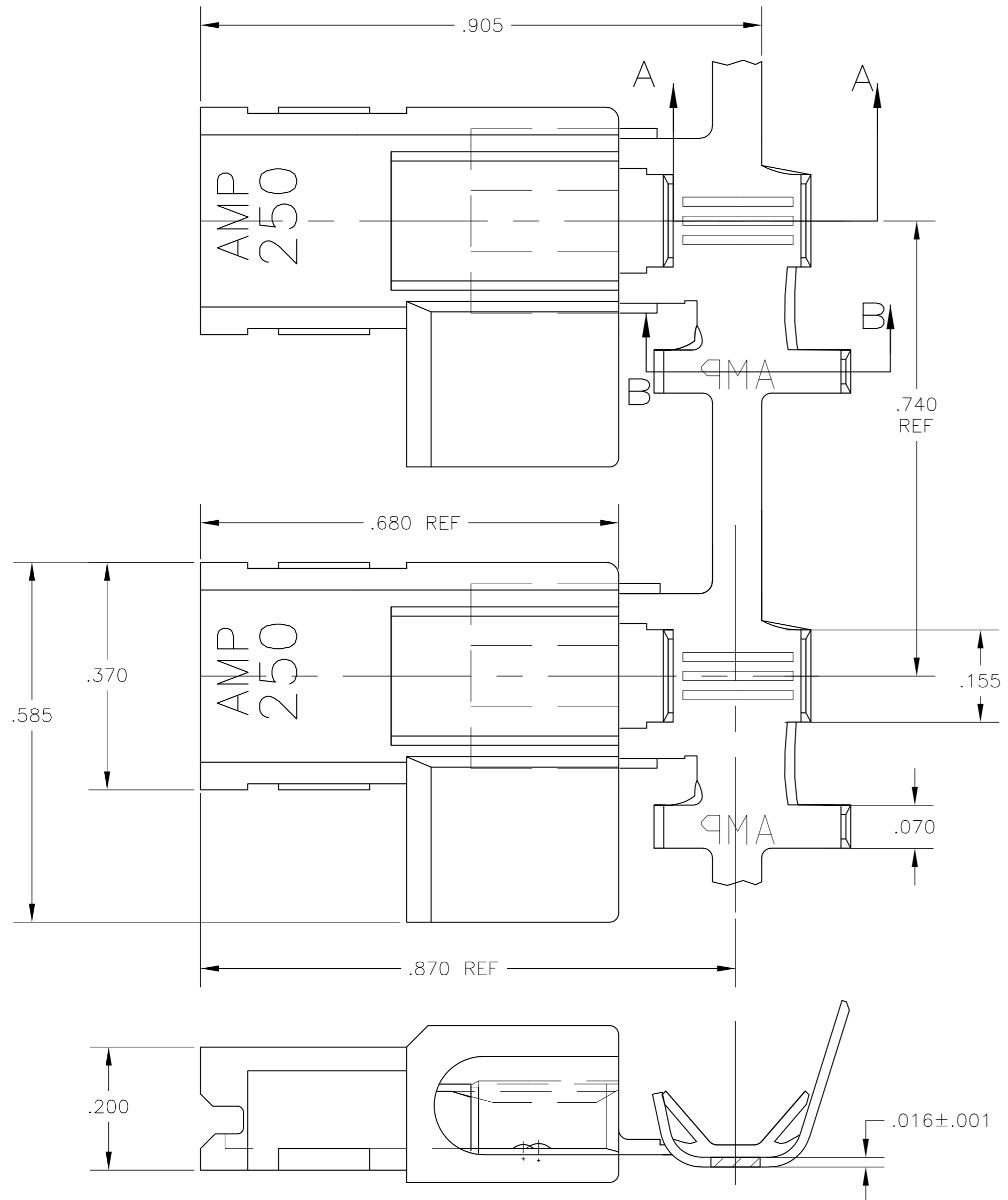
Email & Skype: info@chipsmall.com Web: www.chipsmall.com

Address: A1208, Overseas Decoration Building, #122 Zhenhua RD., Futian, Shenzhen, China

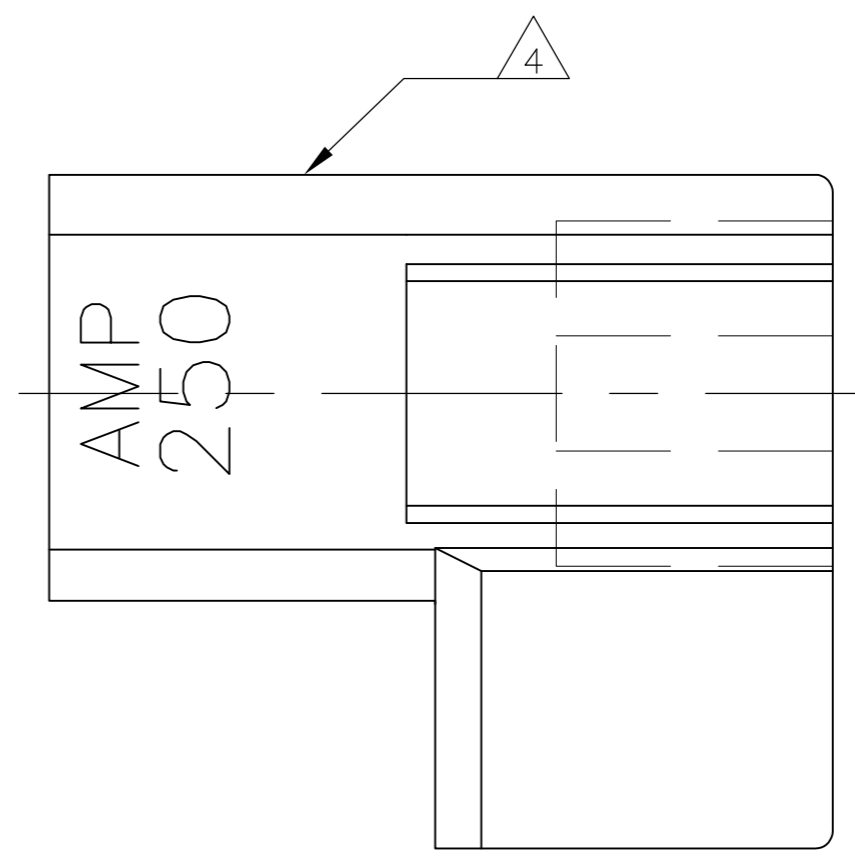
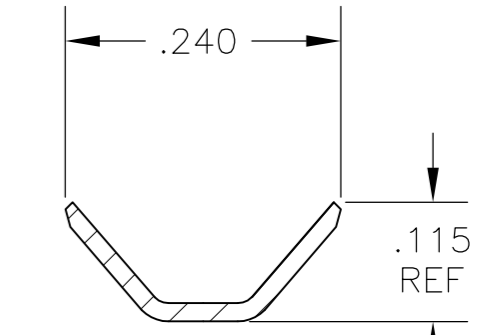
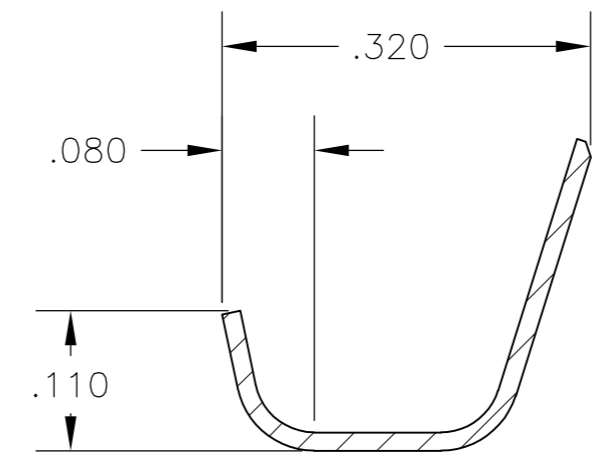


THIS DRAWING IS UNPUBLISHED. RELEASED FOR PUBLICATION
 © COPYRIGHT BY TYCO ELECTRONICS CORPORATION. ALL RIGHTS RESERVED.

Loc		DIST		REVISIONS			
AF	50	P	LTR	DESCRIPTION	DATE	DWN	APVD
		A2		REV PER ECR 10-005376	11MAR10	JR	GP



- 1 CONTINUOUS STRIP ON REELS.
- 2 INSULATION RANGE TO BE .110-.160 OR TWO AT .110 MAX DIA.
- 3 WIRE SIZE IS [#18-#14 OR TWO #20'S OR TWO #18'S].
- △4 ALTERNATE HOUSING FORM
- △5 PRELIMINARY - NOT FOR PRODUCTION.
- △6 GLOW WIRE APPROVED; CONTACT TE ENGINEERING FOR SPECIFICATION (ALL WALL THICKNESSES ARE BETWEEN 0.4-3.0[.015-.118])



V2 NYLON / NATURAL (WHITE)	BRASS / TIN PLATED	△6	1969110-2
V2 NYLON / NATURAL (WHITE)	BRASS / PLAIN	△5	1969110-1
HOUSING MATERIAL / COLOR		TERMINAL MATERIAL / FINISH	
PART NO		PART NO	
THIS DRAWING IS A CONTROLLED DOCUMENT.		DWN RAGHAVENDRA 05APR2007 CHK G D PORTA 05APR2007 APVD G D PORTA 05APR2007	
DIMENSIONS: INCHES		TOLERANCES UNLESS OTHERWISE SPECIFIED:	
INCHES		0 PLC ± - 1 PLC ± - 2 PLC ± - 3 PLC ± .010 4 PLC ± - ANGLES ± - FINISH SEE TABLE	
MATERIAL SEE TABLE		FINISH SEE TABLE	
CUSTOMER DRAWING		Tyco Electronics Corporation Harrisburg, Pa 17105-3608	
NAME		ASSEMBLY, RECEPTACLE, FLAG, ULTRA-POD, .250SERIES	
SIZE	CAGE CODE	DRAWING NO	RESTRICTED TO
A2	00779	C=1969110	-
SCALE 6:1		SHEET 1 OF 1	REV A2

1969110