



Chipsmall Limited consists of a professional team with an average of over 10 year of expertise in the distribution of electronic components. Based in Hongkong, we have already established firm and mutual-benefit business relationships with customers from,Europe,America and south Asia,supplying obsolete and hard-to-find components to meet their specific needs.

With the principle of “Quality Parts,Customers Priority,Honest Operation,and Considerate Service”,our business mainly focus on the distribution of electronic components. Line cards we deal with include Microchip,ALPS,ROHM,Xilinx,Pulse,ON,Everlight and Freescale. Main products comprise IC,Modules,Potentiometer,IC Socket,Relay,Connector.Our parts cover such applications as commercial,industrial, and automotives areas.

We are looking forward to setting up business relationship with you and hope to provide you with the best service and solution. Let us make a better world for our industry!



Contact us

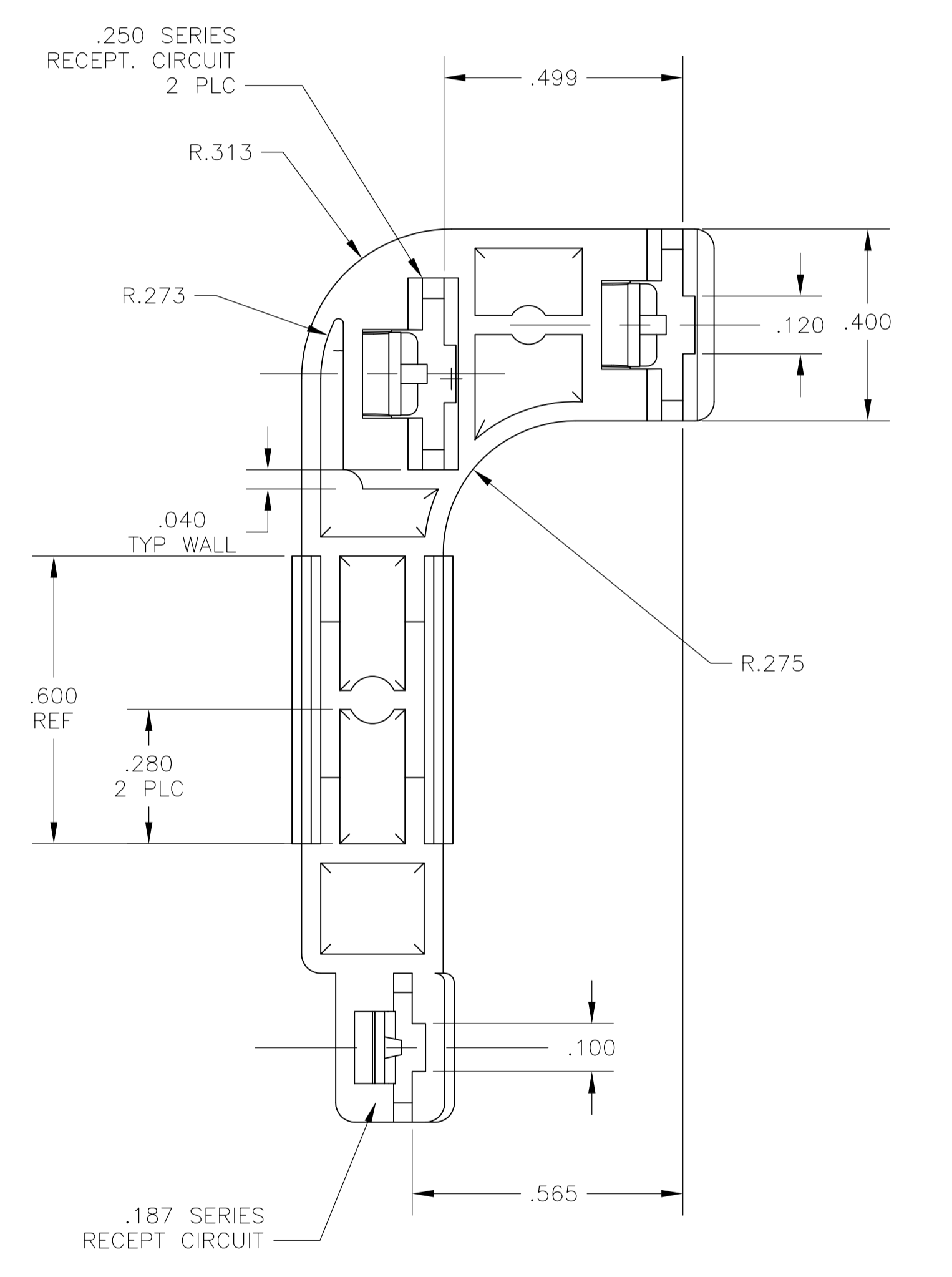
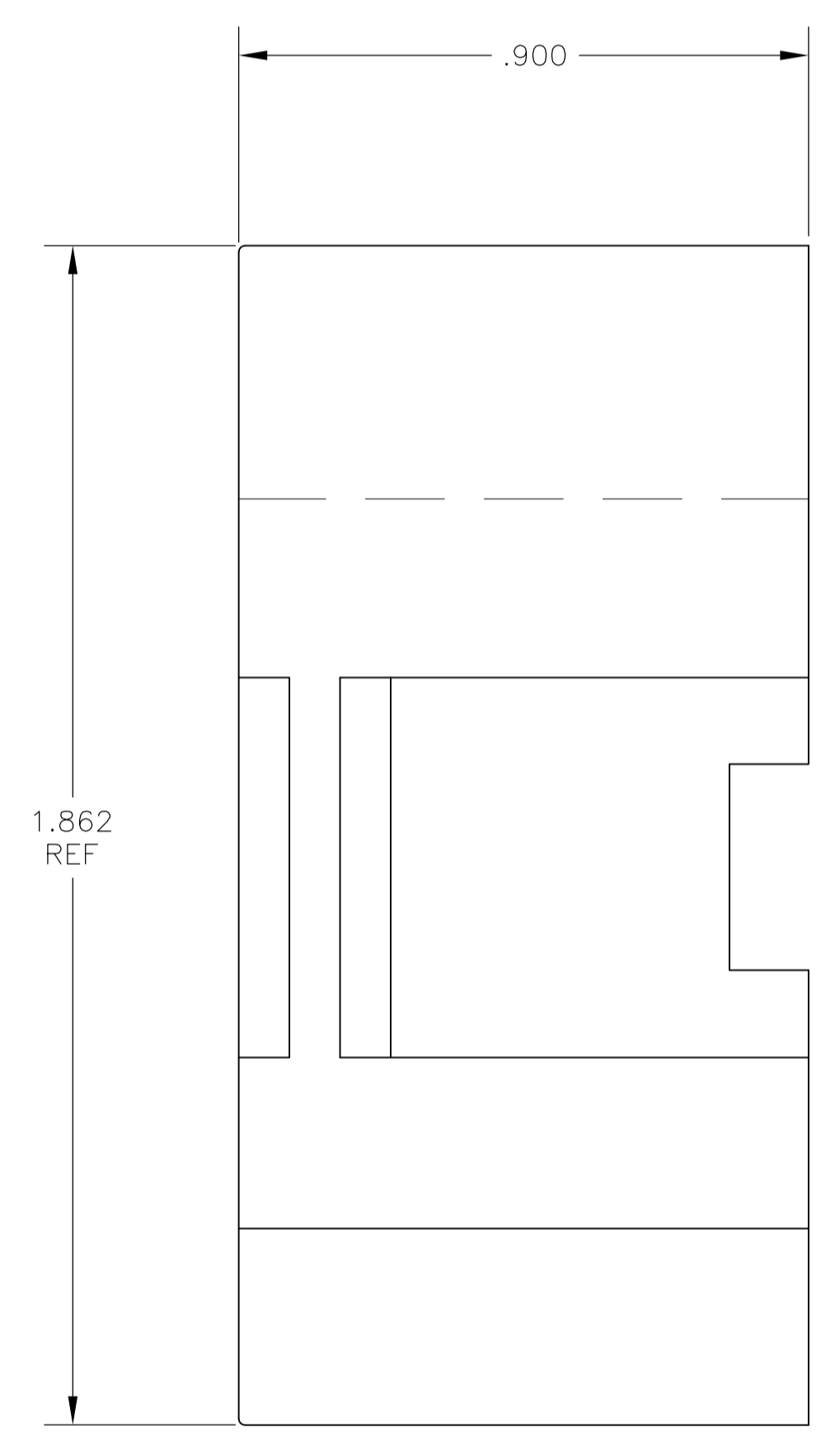
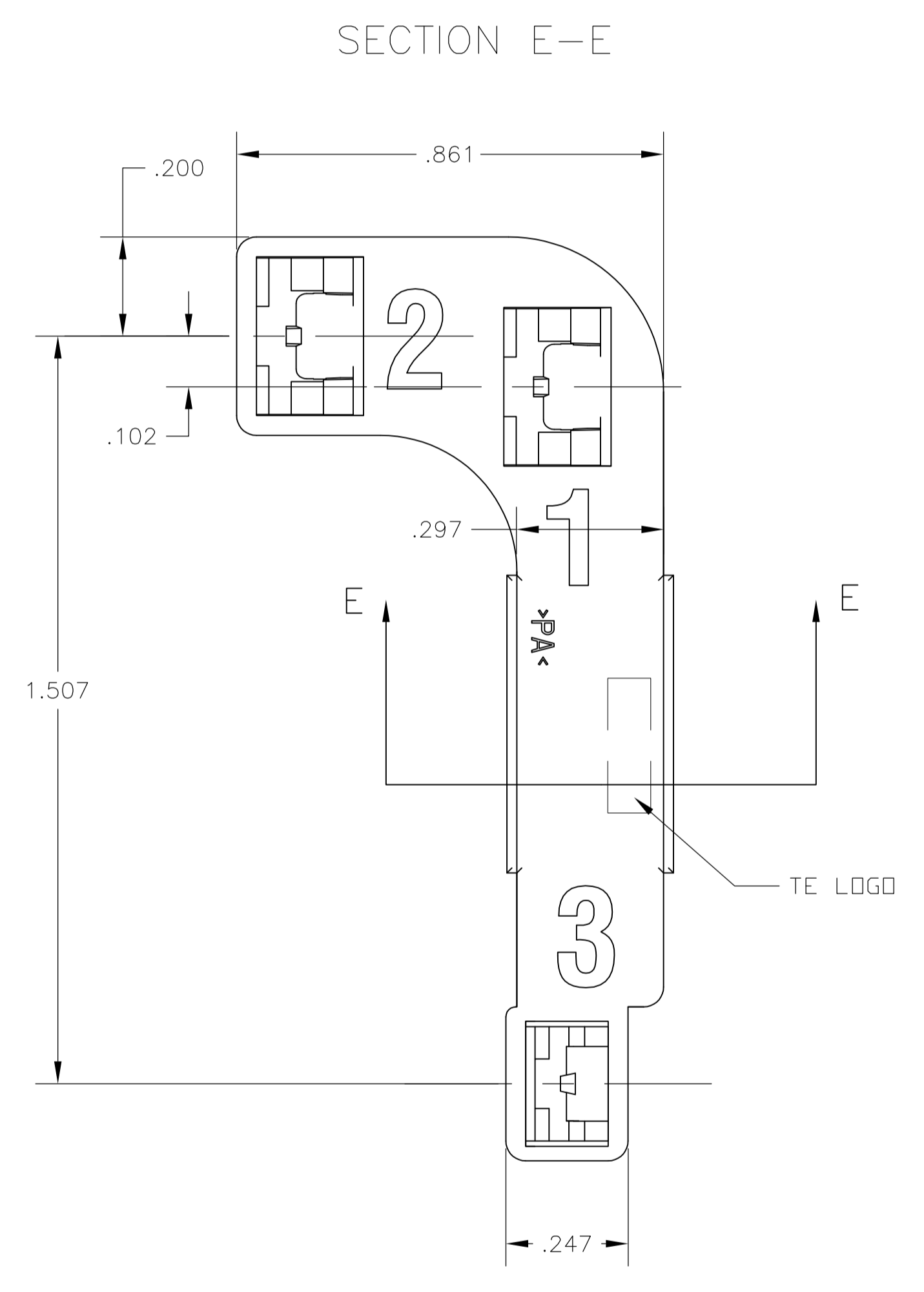
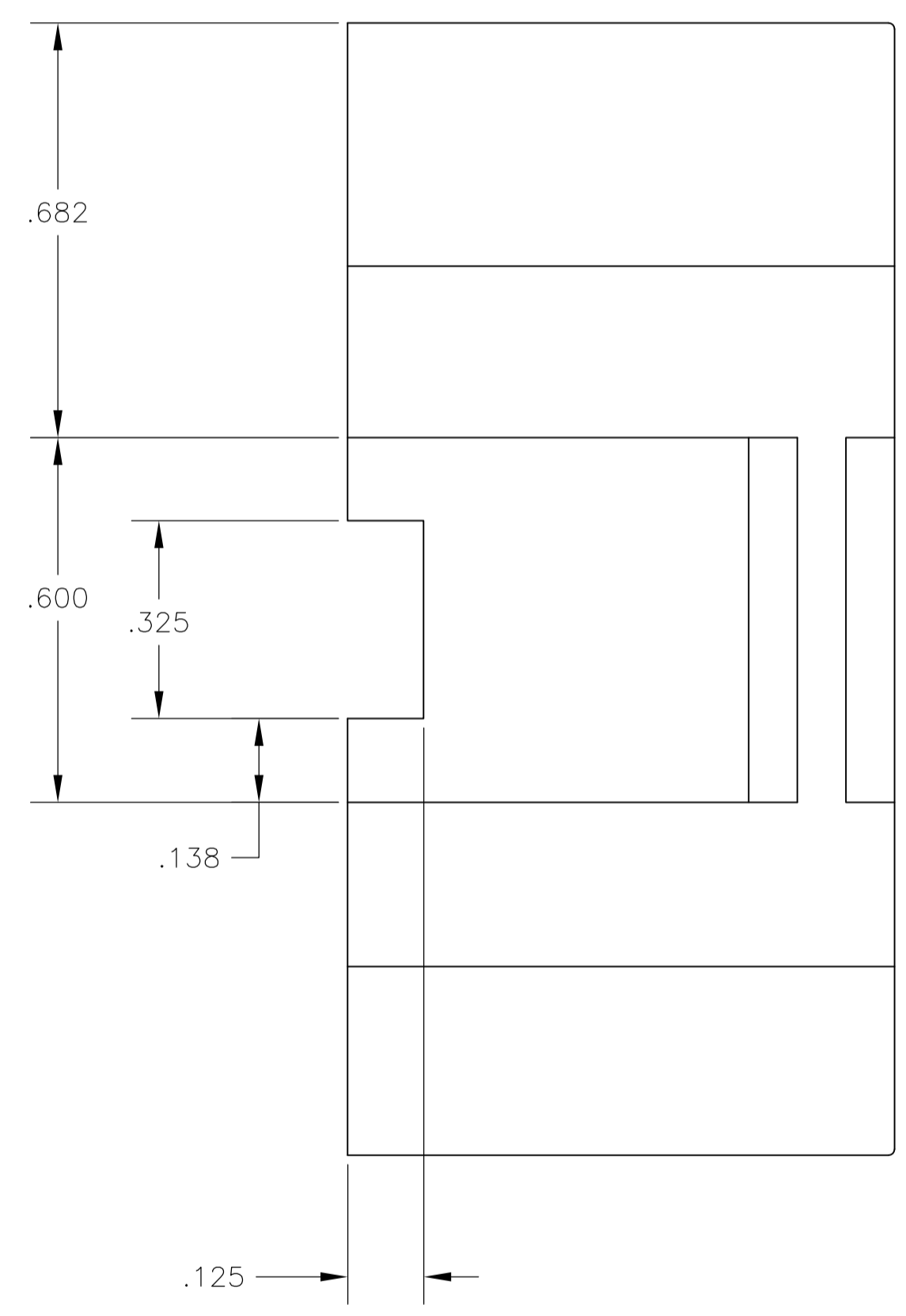
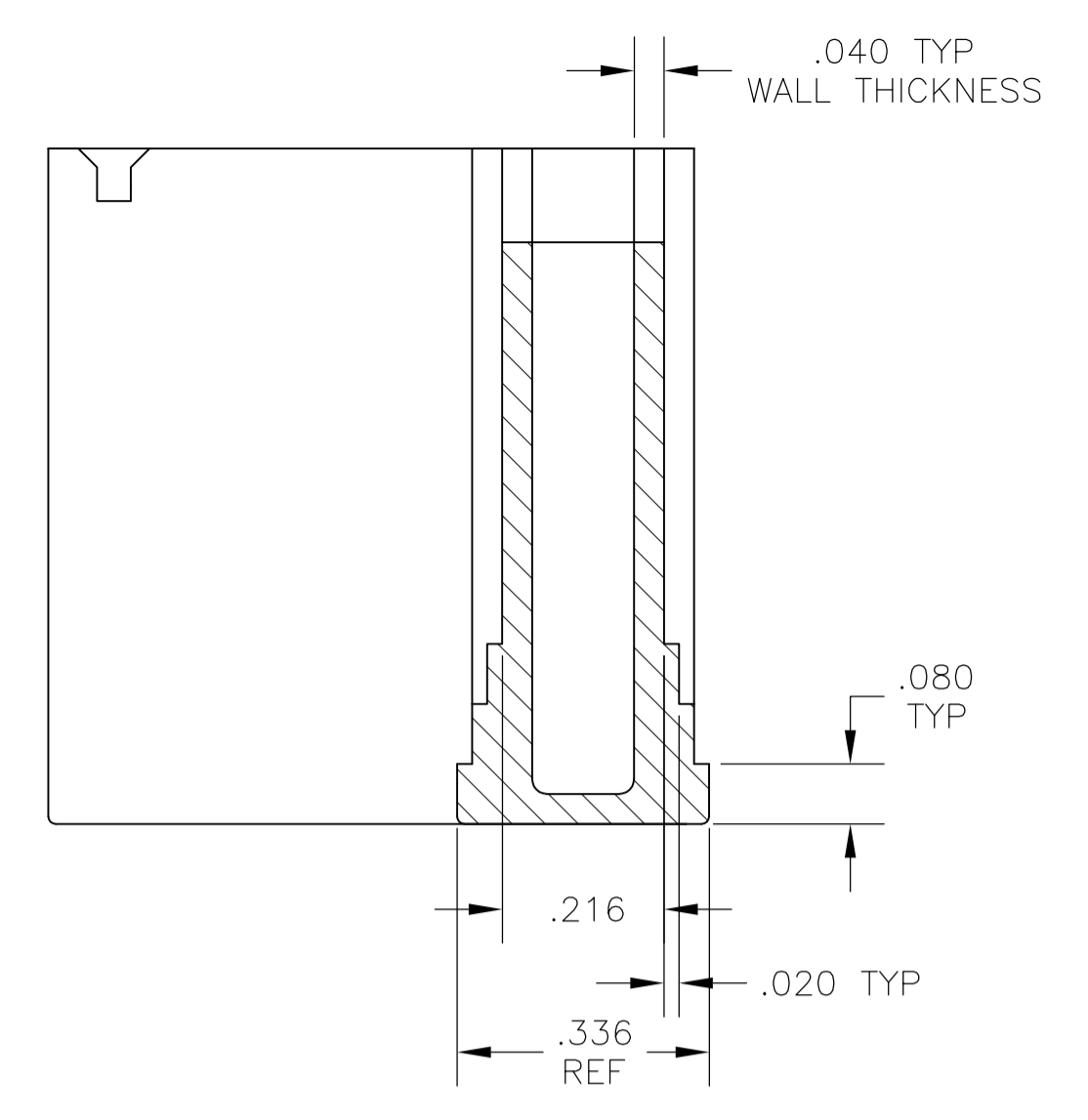
Tel: +86-755-8981 8866 Fax: +86-755-8427 6832

Email & Skype: info@chipsmall.com Web: www.chipsmall.com

Address: A1208, Overseas Decoration Building, #122 Zhenhua RD., Futian, Shenzhen, China



LOC		DIST		REVISIONS			
P	LTR	DESCRIPTION	DATE	DMN	APVD		
AF	58						
A3		REVISED PER ECO-13-000092	03JAN13	JR	PD		



1969116-1
PART NO.

THIS DRAWING IS A CONTROLLED DOCUMENT.		DIN	JR_RUTH	28MAR07	TE Connectivity		
DIMENSIONS: INCHES		CHK	P_DESANTIS	27MAR07			
TOLERANCES UNLESS OTHERWISE SPECIFIED:		APVD	P_DESANTIS	27MAR07	NAME		
0 PLC	± -	PRODUCT SPEC		HOUSING, RECEPTACLE, FASTON, .187 & .250 SERIES			
1 PLC	± -	APPLICATION SPEC		SIZE			
2 PLC	± -	MATERIAL		CAGE CODE			
3 PLC	± .005	FINISH		DRAWING NO			
4 PLC	± -	COLOR - NATURAL		A1 00779			
ANGLES	± -	WEIGHT		1969116			
MATERIAL NYLON 66, V2		CUSTOMER DRAWING		SCALE 4:1		SHEET 1 OF 1	
						REV A3	