



Chipsmall Limited consists of a professional team with an average of over 10 year of expertise in the distribution of electronic components. Based in Hongkong, we have already established firm and mutual-benefit business relationships with customers from,Europe,America and south Asia,supplying obsolete and hard-to-find components to meet their specific needs.

With the principle of “Quality Parts,Customers Priority,Honest Operation,and Considerate Service”,our business mainly focus on the distribution of electronic components. Line cards we deal with include Microchip,ALPS,ROHM,Xilinx,Pulse,ON,Everlight and Freescale. Main products comprise IC,Modules,Potentiometer,IC Socket,Relay,Connector.Our parts cover such applications as commercial,industrial, and automotives areas.

We are looking forward to setting up business relationship with you and hope to provide you with the best service and solution. Let us make a better world for our industry!



Contact us

Tel: +86-755-8981 8866 Fax: +86-755-8427 6832

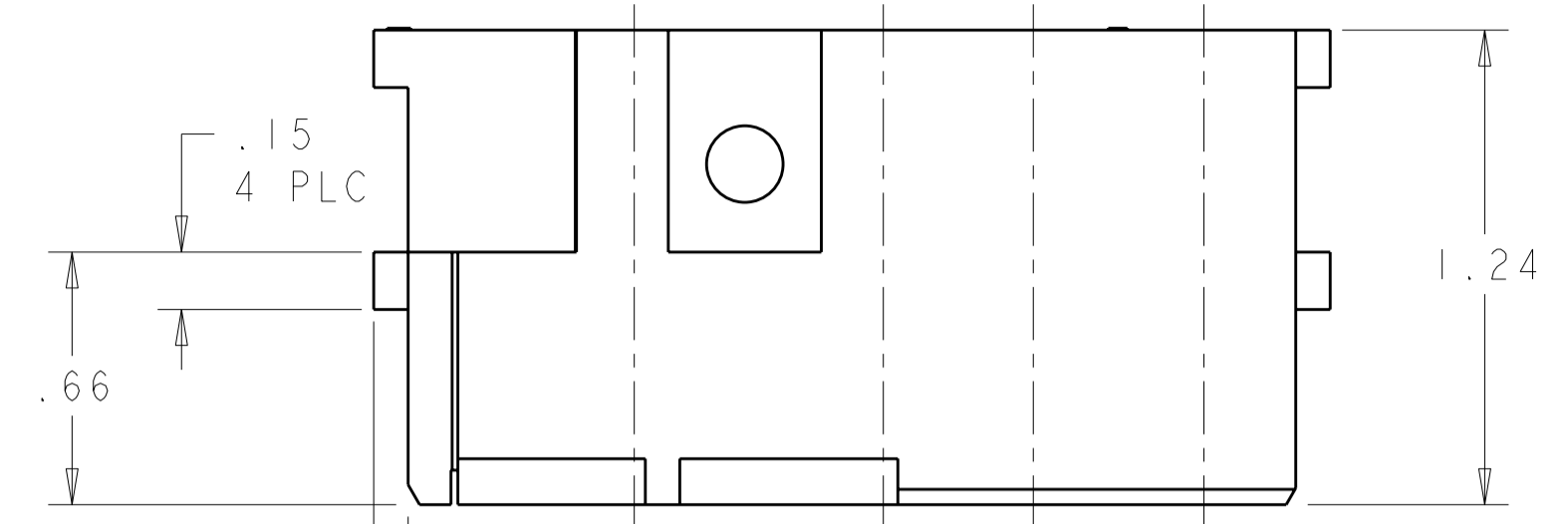
Email & Skype: info@chipsmall.com Web: www.chipsmall.com

Address: A1208, Overseas Decoration Building, #122 Zhenhua RD., Futian, Shenzhen, China

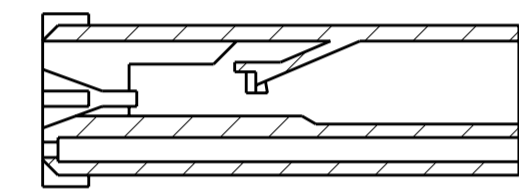
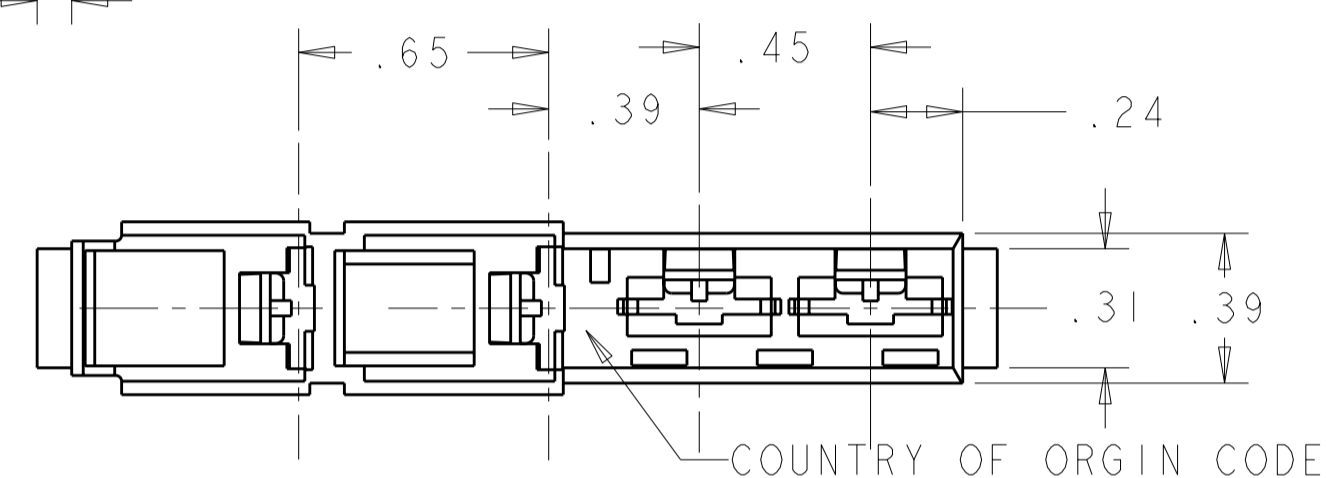
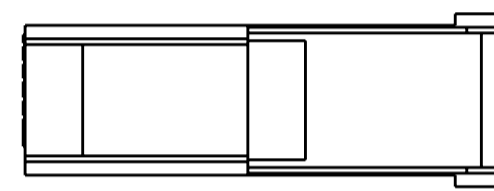


THIS DRAWING IS UNPUBLISHED. RELEASED FOR PUBLICATION 20
 © COPYRIGHT 20 BY TYCO ELECTRONICS CORPORATION. ALL RIGHTS RESERVED.

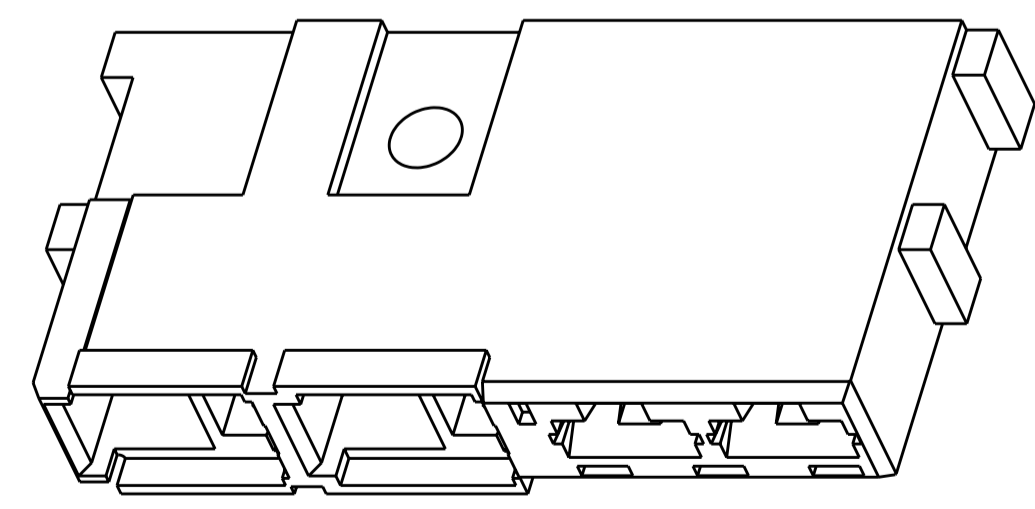
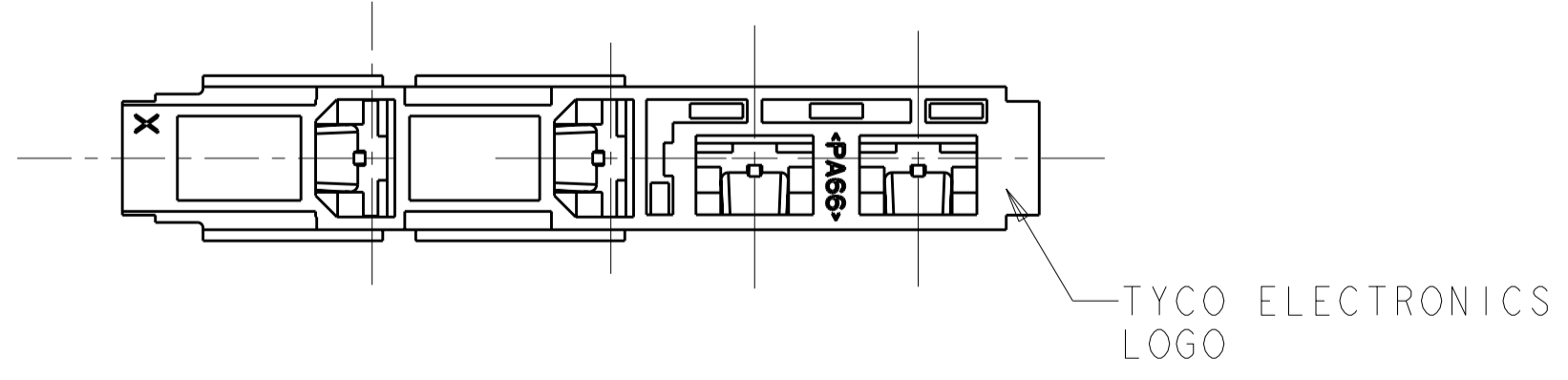
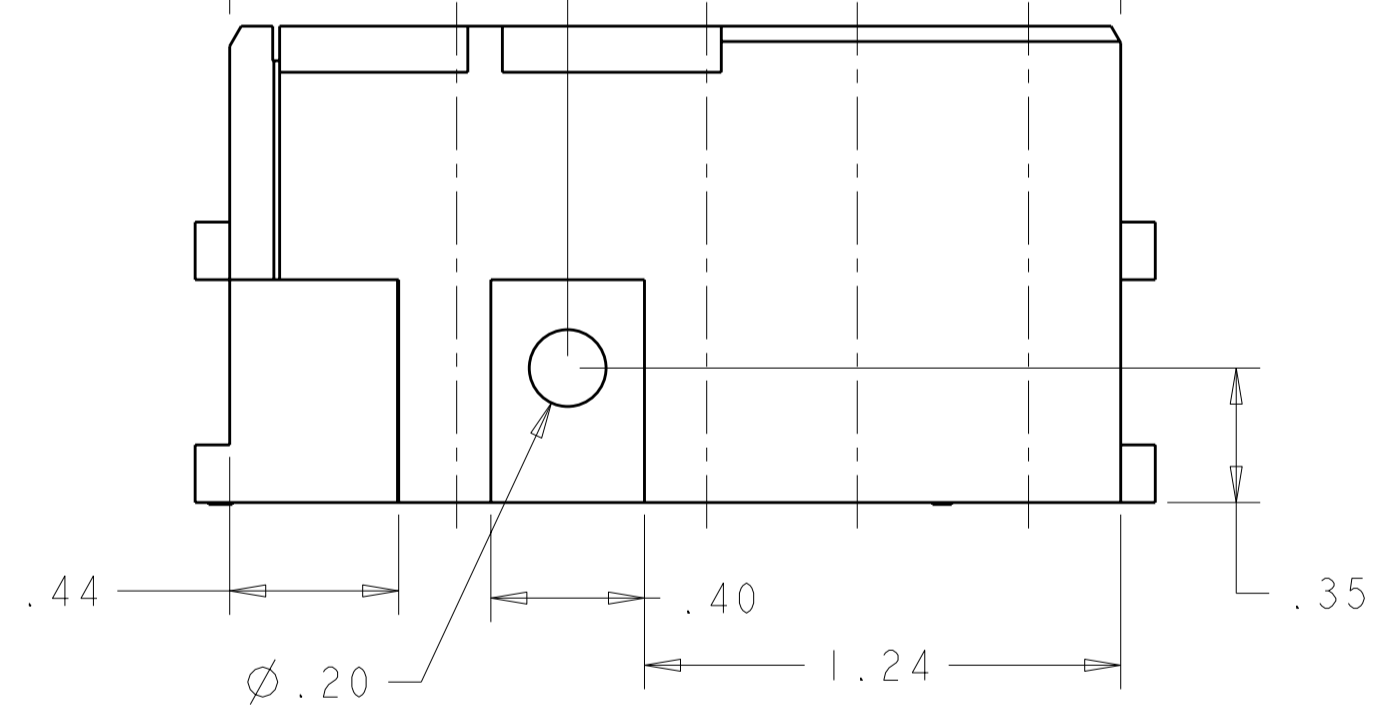
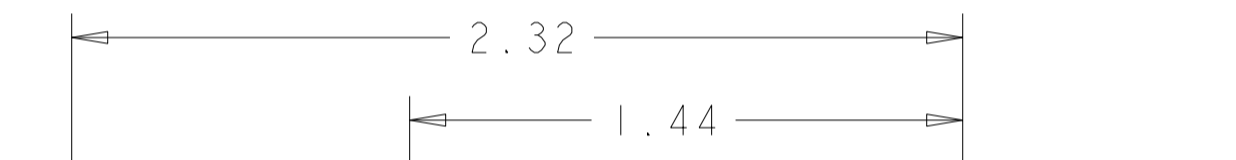
LOC	DIST	REVISIONS			
P	LTR	DESCRIPTION	DATE	DWN	APVD
AF	50	A3	REVISED PER ECR-09-010794	20AUG2009	HMR PD



- THIS PART MATES WITH TABS 216843-1 & 167892-2
- THE RECOMMENDED TAB ALIGNMENT IS +/- .003 IN THE X-AXIS (TAB THICKNESS) AND +/- .005 IN TH Y-AXIS (TAB WIDTH) IN ORDER TO MAINTAIN THE MATING FORCES AT A MINIMUM.



SECTION X-X



1969119-1
PART NUMBER

THIS DRAWING IS A CONTROLLED DOCUMENT FOR TYCO ELECTRONICS CORPORATION IT IS SUBJECT TO CHANGE AND THE CONTROLLING ENGINEERING ORGANIZATION SHOULD BE CONTACTED FOR THE LATEST REVISION.		DWN	JR RUTH	29MAR07	Tyco Electronics Harrisburg, PA 17105-3608											
DIMENSIONS: INCHES		CHK	T SMITH	29MAR07												
<table border="1"> <tr><td>0 PLC</td><td>±</td></tr> <tr><td>1 PLC</td><td>±0.1</td></tr> <tr><td>2 PLC</td><td>±0.02</td></tr> <tr><td>3 PLC</td><td>±0.005</td></tr> <tr><td>4 PLC</td><td>±0.0005</td></tr> <tr><td>ANGLES</td><td>±</td></tr> </table>		0 PLC	±	1 PLC		±0.1	2 PLC	±0.02	3 PLC	±0.005	4 PLC	±0.0005	ANGLES	±	APVD	M TRAN
0 PLC	±															
1 PLC	±0.1															
2 PLC	±0.02															
3 PLC	±0.005															
4 PLC	±0.0005															
ANGLES	±															
MATERIAL: 66 NYLON, V0		PRODUCT SPEC	NAME: 4 POSITION FASTON RECEPTACLE HOUSING													
FINISH: COLOR-NATURAL		APPLICATION SPEC	SIZE: A2													
CUSTOMER DRAWING		WEIGHT: -	CAGE CODE: 200779													
		DRAWING NO: 1969119		RESTRICTED TO: -												
		SCALE: 2:1		SHEET 1 OF 1												
				REV A3												