



Chipsmall Limited consists of a professional team with an average of over 10 year of expertise in the distribution of electronic components. Based in Hongkong, we have already established firm and mutual-benefit business relationships with customers from,Europe,America and south Asia,supplying obsolete and hard-to-find components to meet their specific needs.

With the principle of “Quality Parts,Customers Priority,Honest Operation,and Considerate Service”,our business mainly focus on the distribution of electronic components. Line cards we deal with include Microchip,ALPS,ROHM,Xilinx,Pulse,ON,Everlight and Freescale. Main products comprise IC,Modules,Potentiometer,IC Socket,Relay,Connector.Our parts cover such applications as commercial,industrial, and automotives areas.

We are looking forward to setting up business relationship with you and hope to provide you with the best service and solution. Let us make a better world for our industry!



Contact us

Tel: +86-755-8981 8866 Fax: +86-755-8427 6832

Email & Skype: info@chipsmall.com Web: www.chipsmall.com

Address: A1208, Overseas Decoration Building, #122 Zhenhua RD., Futian, Shenzhen, China



4

3

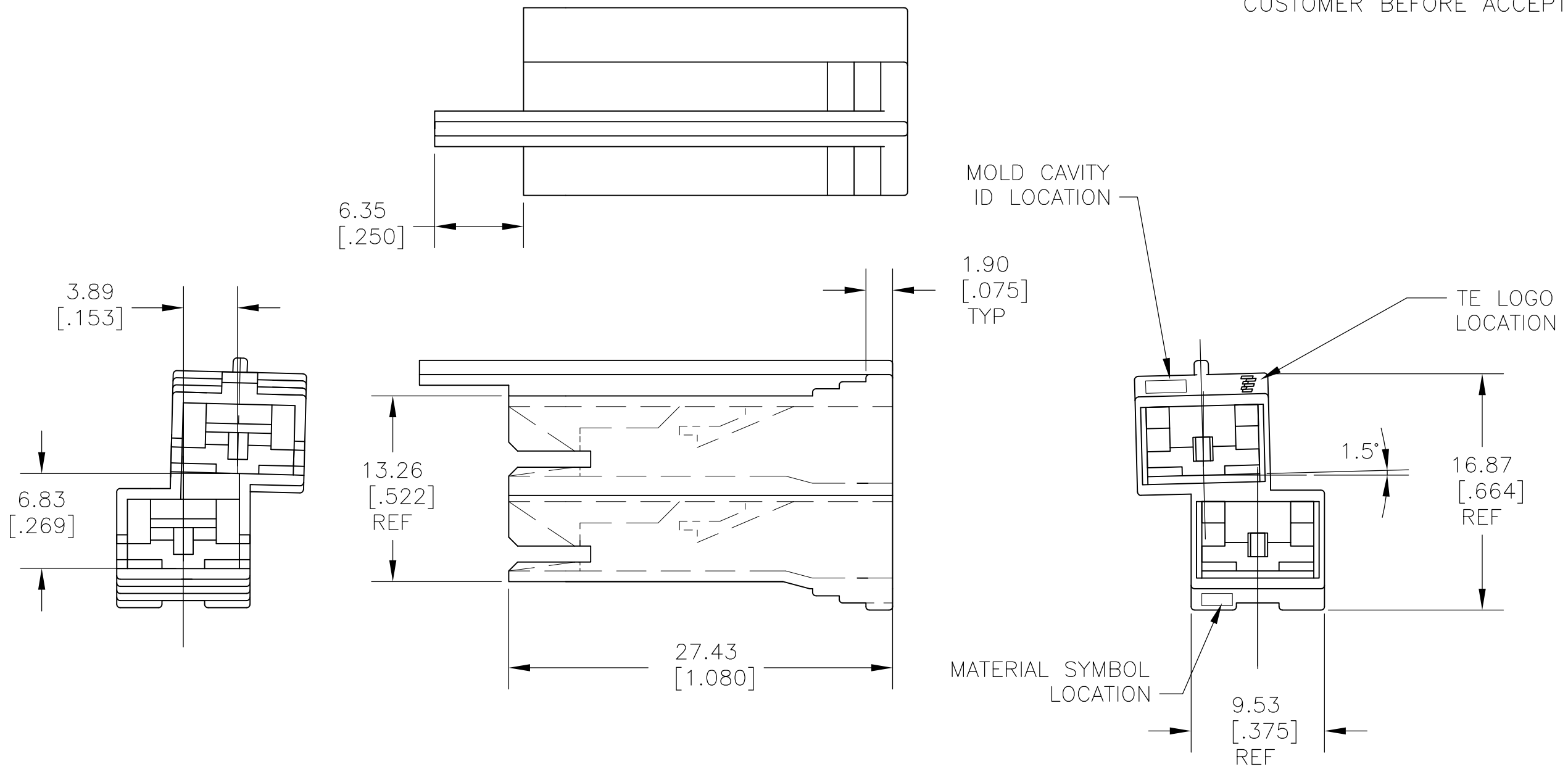
2

1


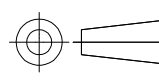
THIS DRAWING IS UNPUBLISHED. RELEASED FOR PUBLICATION
 © COPYRIGHT - By - ALL RIGHTS RESERVED.

LOC	DIST	REVISIONS			
P	LTR	DESCRIPTION	DATE	DWN	APVD
AF	50	A3	REVISED PER ECR-11-006663	04APR11	JR PD

1 CENTERLINES MUST BE VERIFIED BY CUSTOMER BEFORE ACCEPTING A P.O.



1969199-1
 PART NO

THIS DRAWING IS A CONTROLLED DOCUMENT.		DWN jr_ruth 19MAY08	 TE Connectivity				
DIMENSIONS: MM [INCHES]		CHK P DESANTIS 19MAY08					
TOLERANCES UNLESS OTHERWISE SPECIFIED: 0 PLC ± - 1 PLC ± - 2 PLC ± 0.25 [.010] 3 PLC ± - 4 PLC ± - ANGLES ± 1°		APVD P DESANTIS 19MAY08	NAME HOUSING, SWITCH, RECEPTACLE, FASTON, .250 SERIES				
		PRODUCT SPEC -	APPLICATION SPEC -				
MATERIAL 66 NYLON, V0		FINISH COLOR-NATURAL	WEIGHT -	SIZE A3	CAGE CODE 00779	DRAWING NO C-1969199	RESTRICTED TO -
CUSTOMER DRAWING			SCALE 3:1	SHEET 1 OF 1	REV A3		