



Chipsmall Limited consists of a professional team with an average of over 10 year of expertise in the distribution of electronic components. Based in Hongkong, we have already established firm and mutual-benefit business relationships with customers from,Europe,America and south Asia,supplying obsolete and hard-to-find components to meet their specific needs.

With the principle of "Quality Parts,Customers Priority,Honest Operation,and Considerate Service",our business mainly focus on the distribution of electronic components. Line cards we deal with include Microchip,ALPS,ROHM,Xilinx,Pulse,ON,Everlight and Freescale. Main products comprise IC,Modules,Potentiometer,IC Socket,Relay,Connector.Our parts cover such applications as commercial,industrial, and automotives areas.

We are looking forward to setting up business relationship with you and hope to provide you with the best service and solution. Let us make a better world for our industry!



Contact us

Tel: +86-755-8981 8866 Fax: +86-755-8427 6832

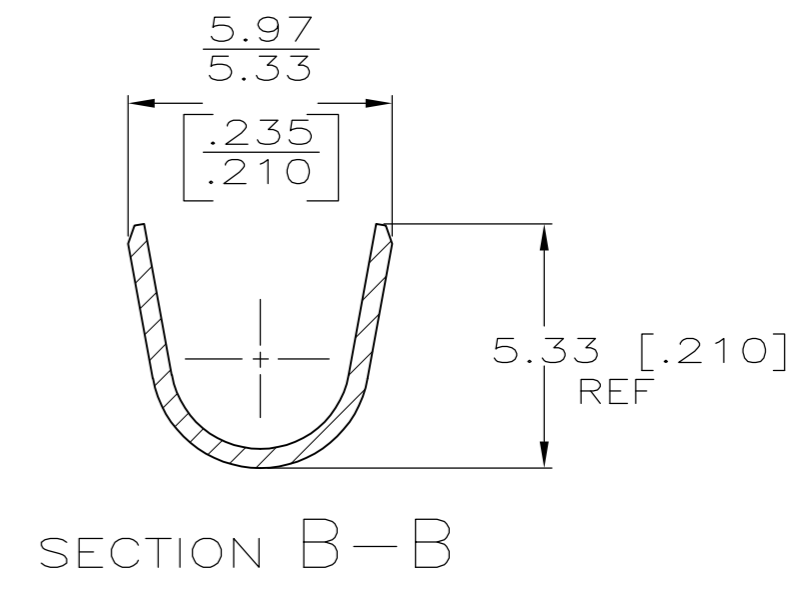
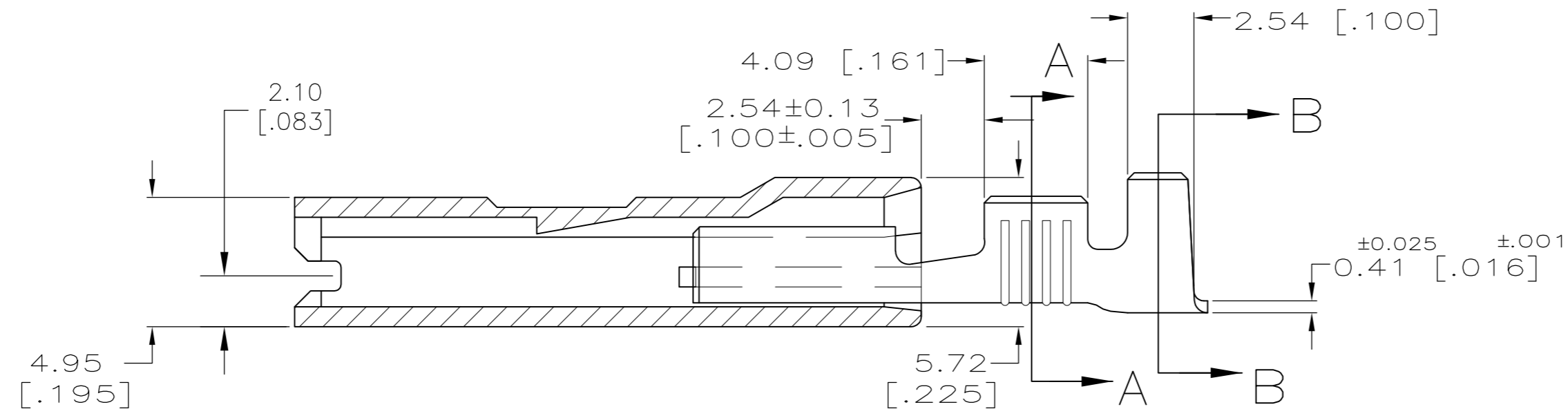
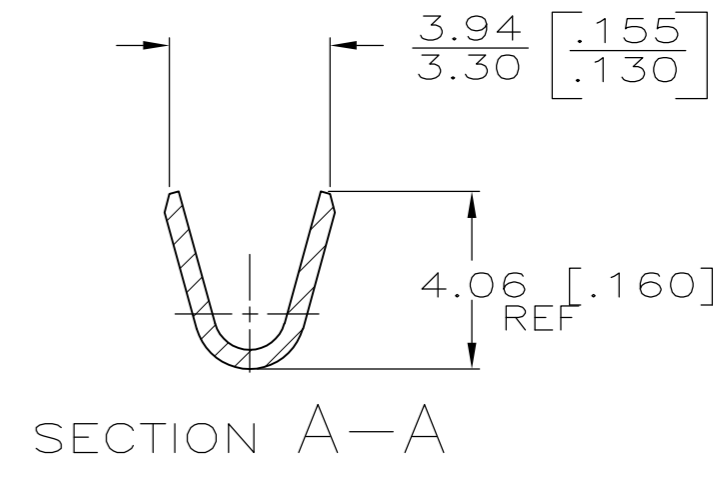
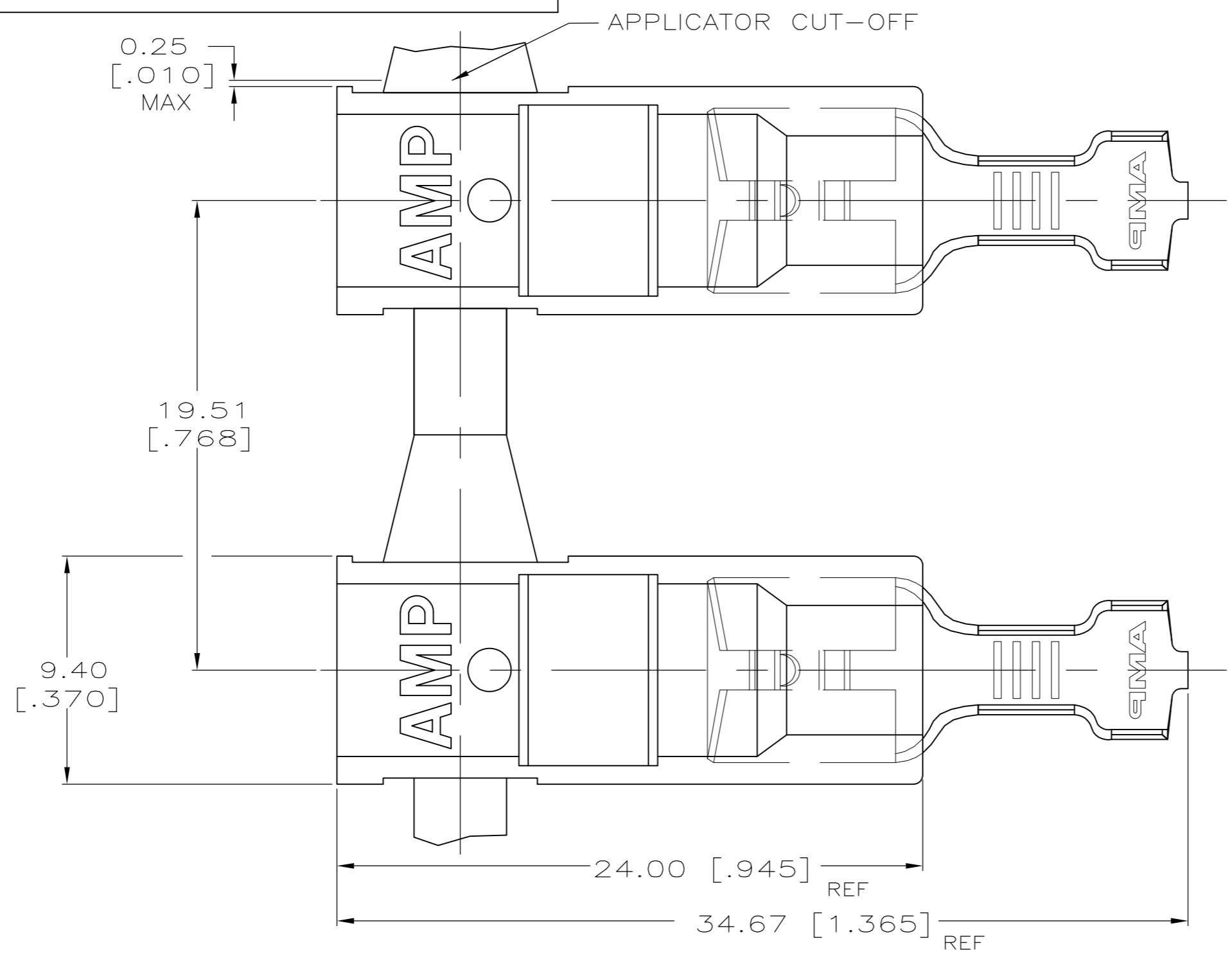
Email & Skype: info@chipsmall.com Web: www.chipsmall.com

Address: A1208, Overseas Decoration Building, #122 Zhenhua RD., Futian, Shenzhen, China



THIS DRAWING IS UNPUBLISHED. RELEASED FOR PUBLICATION
 © COPYRIGHT BY TYCO ELECTRONICS CORPORATION. ALL INTERNATIONAL RIGHTS RESERVED.

LOC	DIST	REVISIONS					
AF	50	P	LTR	DESCRIPTION	DATE	DWN	APVD
		A1		REVISED PER ECR-09-002823	12FEB09	HMR	GP



- 1 PREMIER FASTON TERMINALS, BASE P/N 42219 ARE USED FOR -1.
- 2 NICKEL PLATE 0.00381 [.000150] MIN
- 3 MATERIAL: HOUSING - V0, 6/6 NYLON
TERMINAL - SEE TABLE
- 4 FINISH: HOUSING - NATURAL(WHITE)
TERMINAL - SEE TABLE.

#2 HD STEEL	2 NICKEL	2.79-4.32 [.110-.170] DIA	0.8-2.0 mm ² [18-14]	0.813 [.032]	1969207-1
TERMINAL MATERIAL	TERMINAL FINISH	INSULATION RANGE	WIRE SIZE	MATING TAB THK ±0.025 [±.001]	PART NO.

THIS DRAWING IS A CONTROLLED DOCUMENT.

DIMENSIONS: INCHES	TOLERANCES UNLESS OTHERWISE SPECIFIED:	DWN RAGHAVENDRA 27JUN2008	Tyco Electronics Corporation Harrisburg, PA 17105-3608
	0 PLC ± -	CHK PORTA GARY 27JUN2008	
	1 PLC ± -	APVD PORTA GARY 27JUN2008	
	2 PLC ± -	PRODUCT SPEC	
MATERIAL	FINISH	3 PLC ± 0.25 [.010]	NAME RECEPACLE, 6.35 [.250] SERIES
		4 PLC ± -	SIZE CAGE CODE DRAWING NO RESTRICTED TO A2 00779 C=1969207 -
		ANGLES ± -	WEIGHT - CUSTOMER DRAWING SCALE 5:1 SHEET 1 of 1 REV A1