



Chipsmall Limited consists of a professional team with an average of over 10 year of expertise in the distribution of electronic components. Based in Hongkong, we have already established firm and mutual-benefit business relationships with customers from,Europe,America and south Asia,supplying obsolete and hard-to-find components to meet their specific needs.

With the principle of “Quality Parts,Customers Priority,Honest Operation,and Considerate Service”,our business mainly focus on the distribution of electronic components. Line cards we deal with include Microchip,ALPS,ROHM,Xilinx,Pulse,ON,Everlight and Freescale. Main products comprise IC,Modules,Potentiometer,IC Socket,Relay,Connector.Our parts cover such applications as commercial,industrial, and automotives areas.

We are looking forward to setting up business relationship with you and hope to provide you with the best service and solution. Let us make a better world for our industry!



Contact us

Tel: +86-755-8981 8866 Fax: +86-755-8427 6832

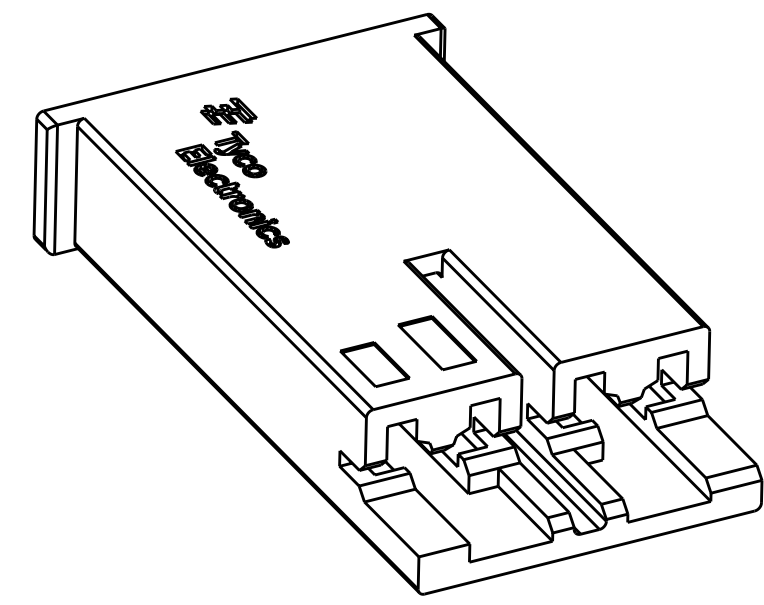
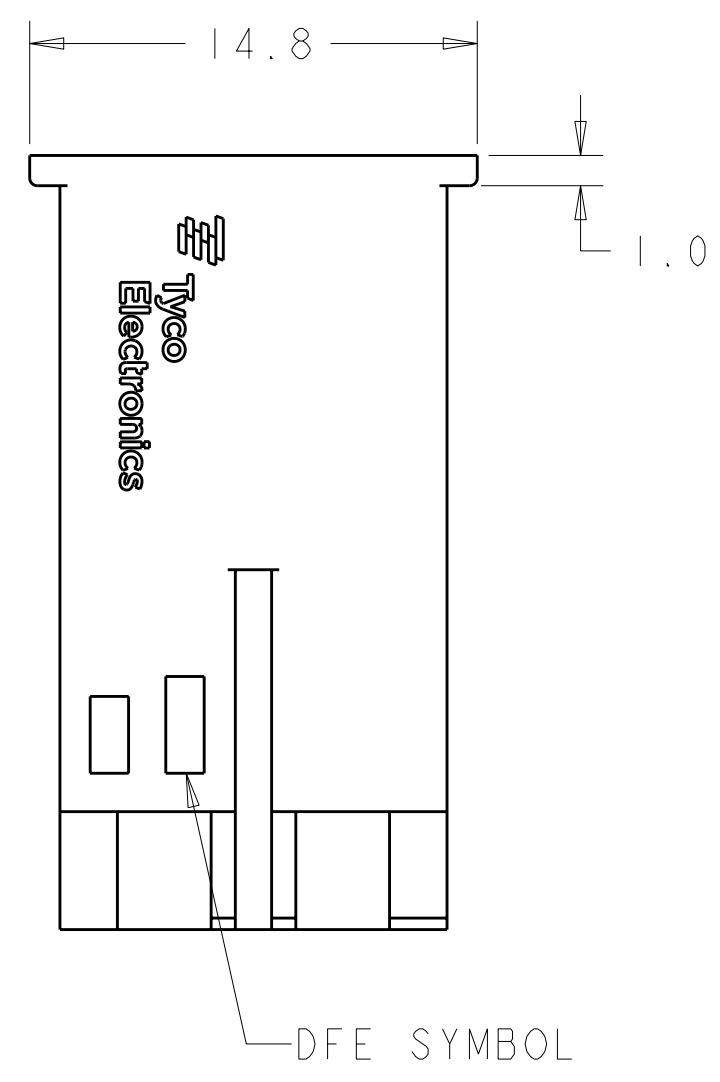
Email & Skype: info@chipsmall.com Web: www.chipsmall.com

Address: A1208, Overseas Decoration Building, #122 Zhenhua RD., Futian, Shenzhen, China

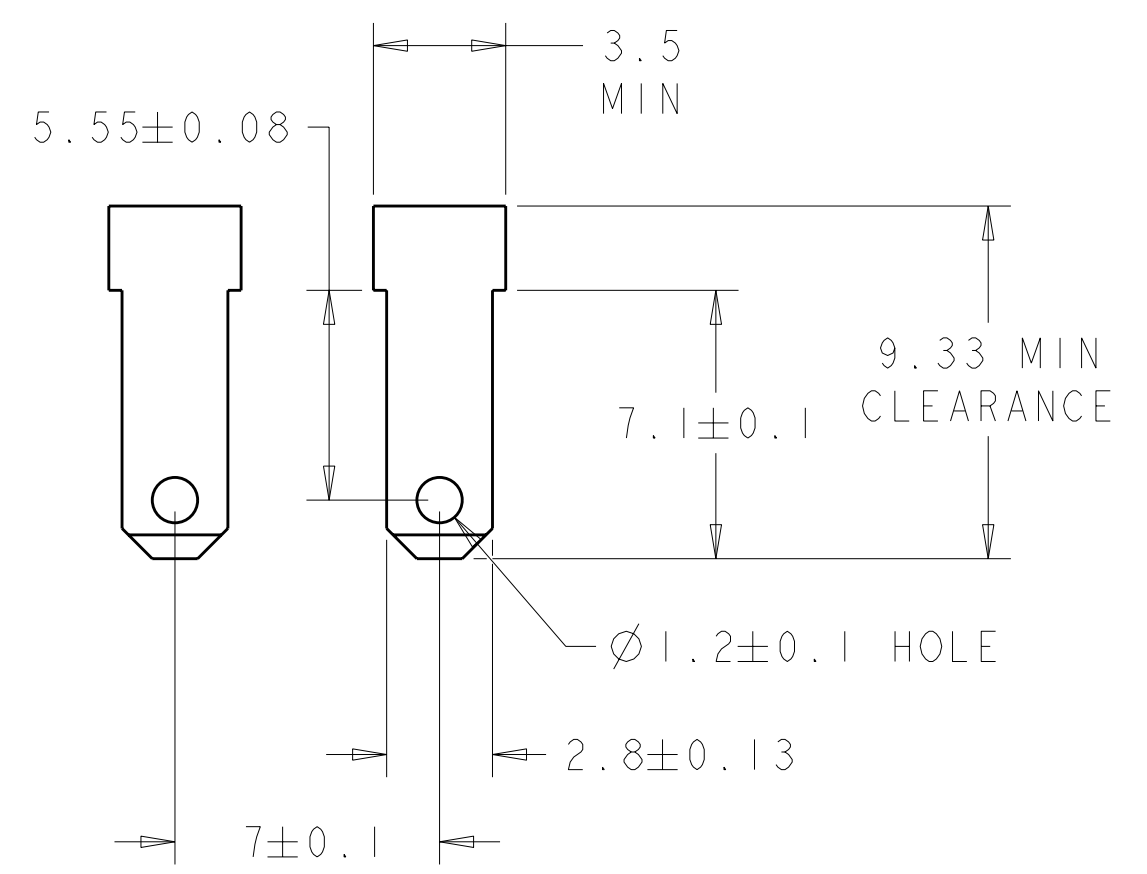
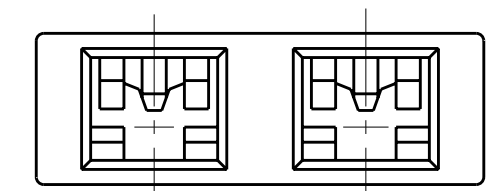
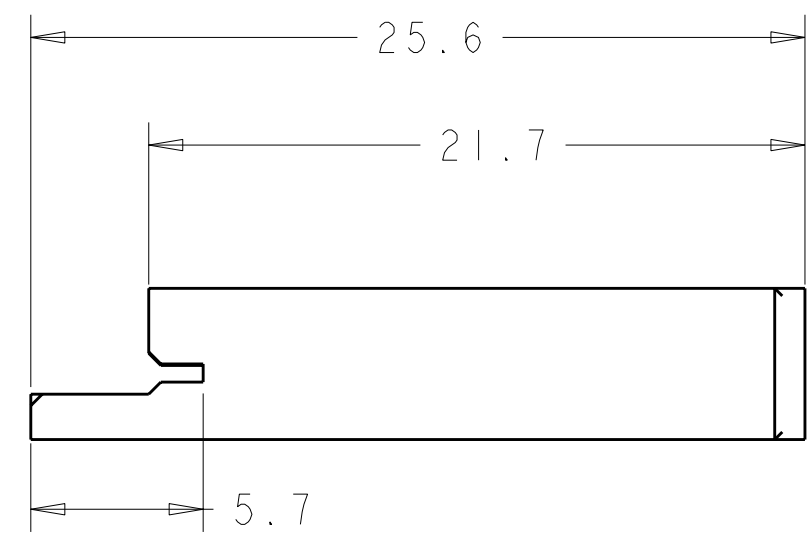
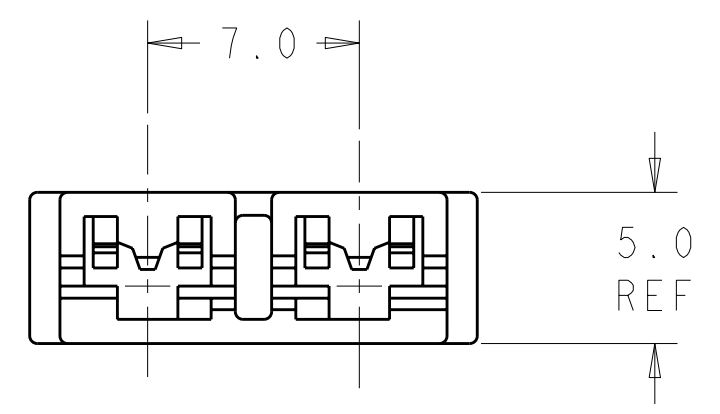


THIS DRAWING IS UNPUBLISHED. RELEASED FOR PUBLICATION 20
 © COPYRIGHT 20 BY TYCO ELECTRONICS CORPORATION. ALL RIGHTS RESERVED.

LOC	DIST	REVISIONS			
P	LTR	DESCRIPTION	DATE	DWN	APVD
AF	50	B1	REVISED PER ECR-09-016756	27JUL2009	HMR GP



1 RECOMMENDED RECEPTACLE CONTACT IS .110 SERIES P/N 175411-5



SCALE 5:1
MATING TAB DIMENSIONS

<PA46>	4/6 NYLON, V2 COLOR-BLACK	1969227-1
DFE SYMBOL	MATERIAL	PART NUMBER
<small>THIS DRAWING IS A CONTROLLED DOCUMENT FOR TYCO ELECTRONICS CORPORATION. IT IS SUBJECT TO CHANGE AND THE CONTROLLING ENGINEERING ORGANIZATION SHOULD BE CONTACTED FOR THE LATEST REVISION.</small> DWN JR RUTH 13NOV08 CHK ED HOWARD 13NOV08 APVD ED HOWARD 13NOV08 PRODUCT SPEC APPLICATION SPEC WEIGHT MATERIAL SEE TABLE DIMENSIONS: mm TOLERANCES UNLESS OTHERWISE SPECIFIED: 0 PLC ±.25 1 PLC ±.25 2 PLC ±.25 3 PLC ±. 4 PLC ±. ANGLES ±. FINISH		Tyco Electronics Harrisburg, PA 17105-3608 NAME HOUSING, RECEPTACLE, POSITIVE-LOCK, 110 SERIES SIZE A2 CAGE CODE 00779 DRAWING NO C-1969227 RESTRICTED TO
CUSTOMER DRAWING		SCALE 4:1 SHEET 1 OF 1 REV B1