



Chipsmall Limited consists of a professional team with an average of over 10 year of expertise in the distribution of electronic components. Based in Hongkong, we have already established firm and mutual-benefit business relationships with customers from,Europe,America and south Asia,supplying obsolete and hard-to-find components to meet their specific needs.

With the principle of "Quality Parts,Customers Priority,Honest Operation,and Considerate Service",our business mainly focus on the distribution of electronic components. Line cards we deal with include Microchip,ALPS,ROHM,Xilinx,Pulse,ON,Everlight and Freescale. Main products comprise IC,Modules,Potentiometer,IC Socket,Relay,Connector.Our parts cover such applications as commercial,industrial, and automotives areas.

We are looking forward to setting up business relationship with you and hope to provide you with the best service and solution. Let us make a better world for our industry!



## Contact us

Tel: +86-755-8981 8866 Fax: +86-755-8427 6832

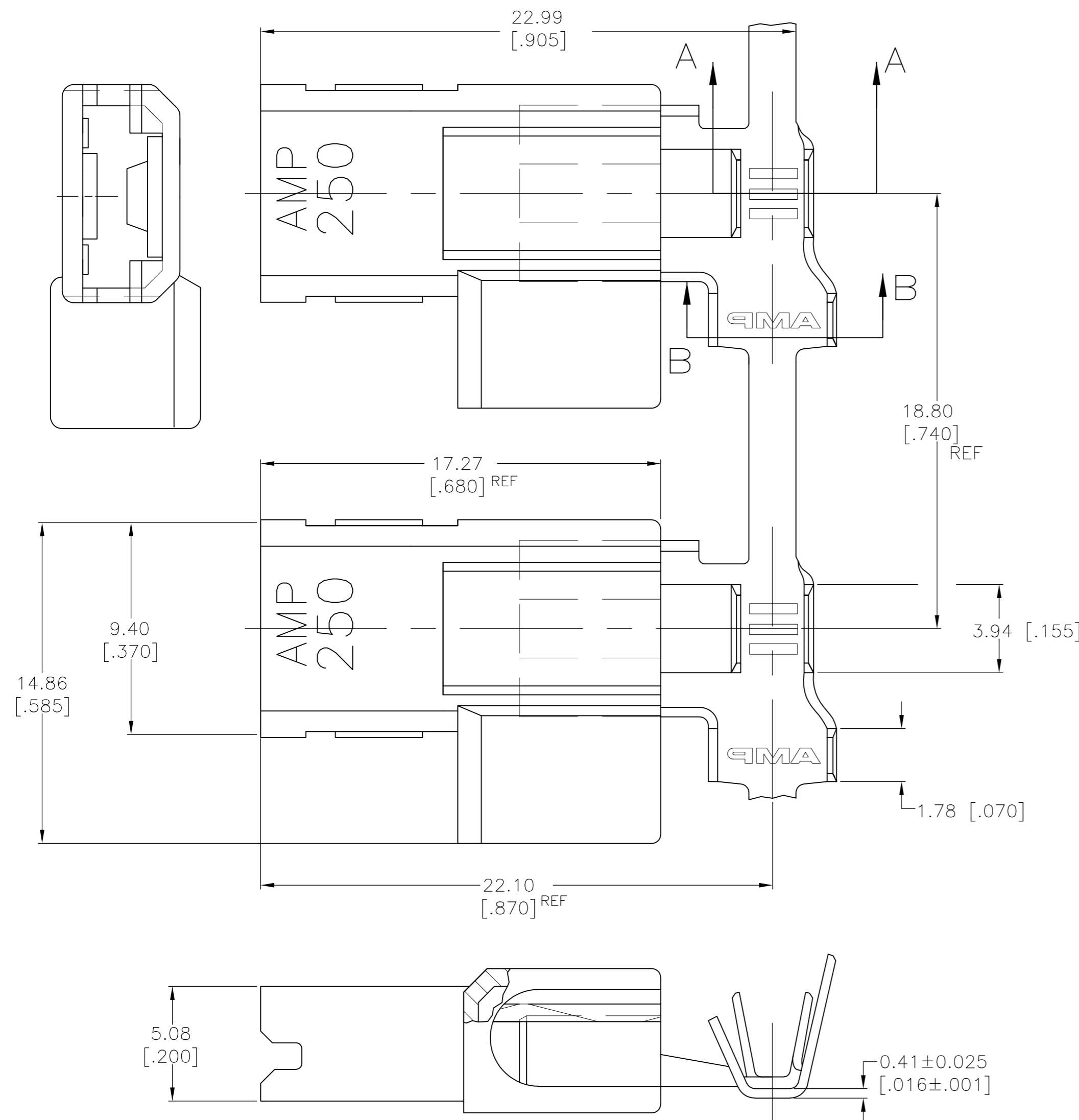
Email & Skype: info@chipsmall.com Web: www.chipsmall.com

Address: A1208, Overseas Decoration Building, #122 Zhenhua RD., Futian, Shenzhen, China

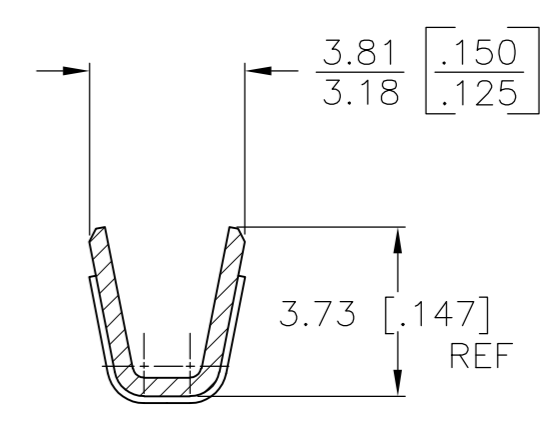
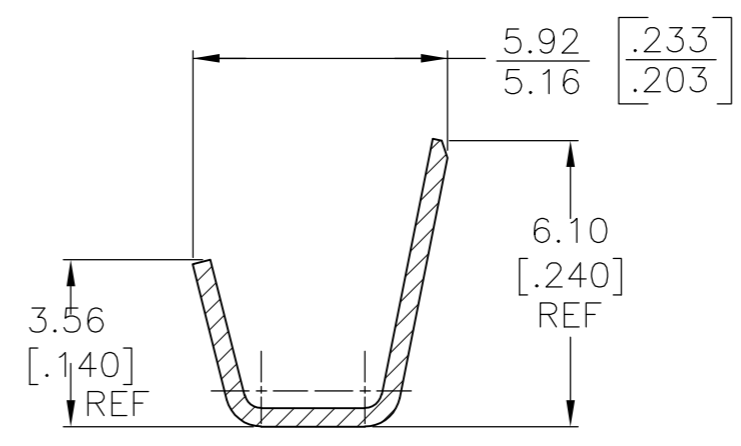


THIS DRAWING IS UNPUBLISHED. RELEASED FOR PUBLICATION  
 © COPYRIGHT BY TYCO ELECTRONICS CORPORATION. ALL RIGHTS RESERVED.

LOC	DIST	REVISIONS					
AF	50	P	LTR	DESCRIPTION	DATE	DWN	APVD
		A1		REVISED PER ECR-10-005376	11MAR10	JR	GP



- 1 BUDGET FLAG FASTON TERMINALS, BASE P/N 63559, ARE USED IN THIS PRODUCT.
- 2 PENDING UL & CSA APPROVALS FOR WIRE SIZES: #18, #16, #14 AWG STRANDED WIRE ONLY.
- 3 INSULATION RANGE IS 2.79-4.06 [.110-.160] DIA.
- △4 PRELIMINARY - NOT FOR PRODUCTION.
- △5 PRE-PRODUCTION - FASR REQUIRED.



SECTION B-B

SECTION A-A

NYLON 4/6 - BLACK	TIN PLATED - 4M BRASS	1969283-2	△5
	PLAIN - 4M BRASS	1969283-1	△4
HOUSING MATERIAL / COLOR	TERMINAL FINISH - MATERIAL	PART NO	

THIS DRAWING IS A CONTROLLED DOCUMENT.		DWN 08JUN2009 RAGHAVENDRA	Tyco Electronics Corporation Harrisburg, PA 17105-3608	
DIMENSIONS: INCHES	TOLERANCES UNLESS OTHERWISE SPECIFIED:	CHK 08JUN2009 PORTA GARY	NAME -	
	0 PLC ± -	APVD 08JUN2009 PORTA GARY	PRODUCT SPEC -	
	1 PLC ± -	108-1285	APPLICATION SPEC -	
	2 PLC ± -	114-2124	SIZE	CAGE CODE
	3 PLC ± 0.25 [.010]	WEIGHT -	A2	00779
	4 PLC ± -	CUSTOMER DRAWING	DRAWING NO	RESTRICTED TO
	ANGLES ± -	SCALE 6:1	1969283	1 of 1
MATERIAL SEE TABLE	FINISH SEE TABLE	SHEET	REV	A1

1969283