



Chipsmall Limited consists of a professional team with an average of over 10 year of expertise in the distribution of electronic components. Based in Hongkong, we have already established firm and mutual-benefit business relationships with customers from,Europe,America and south Asia,supplying obsolete and hard-to-find components to meet their specific needs.

With the principle of “Quality Parts,Customers Priority,Honest Operation,and Considerate Service”,our business mainly focus on the distribution of electronic components. Line cards we deal with include Microchip,ALPS,ROHM,Xilinx,Pulse,ON,Everlight and Freescale. Main products comprise IC,Modules,Potentiometer,IC Socket,Relay,Connector.Our parts cover such applications as commercial,industrial, and automotives areas.

We are looking forward to setting up business relationship with you and hope to provide you with the best service and solution. Let us make a better world for our industry!



Contact us

Tel: +86-755-8981 8866 Fax: +86-755-8427 6832

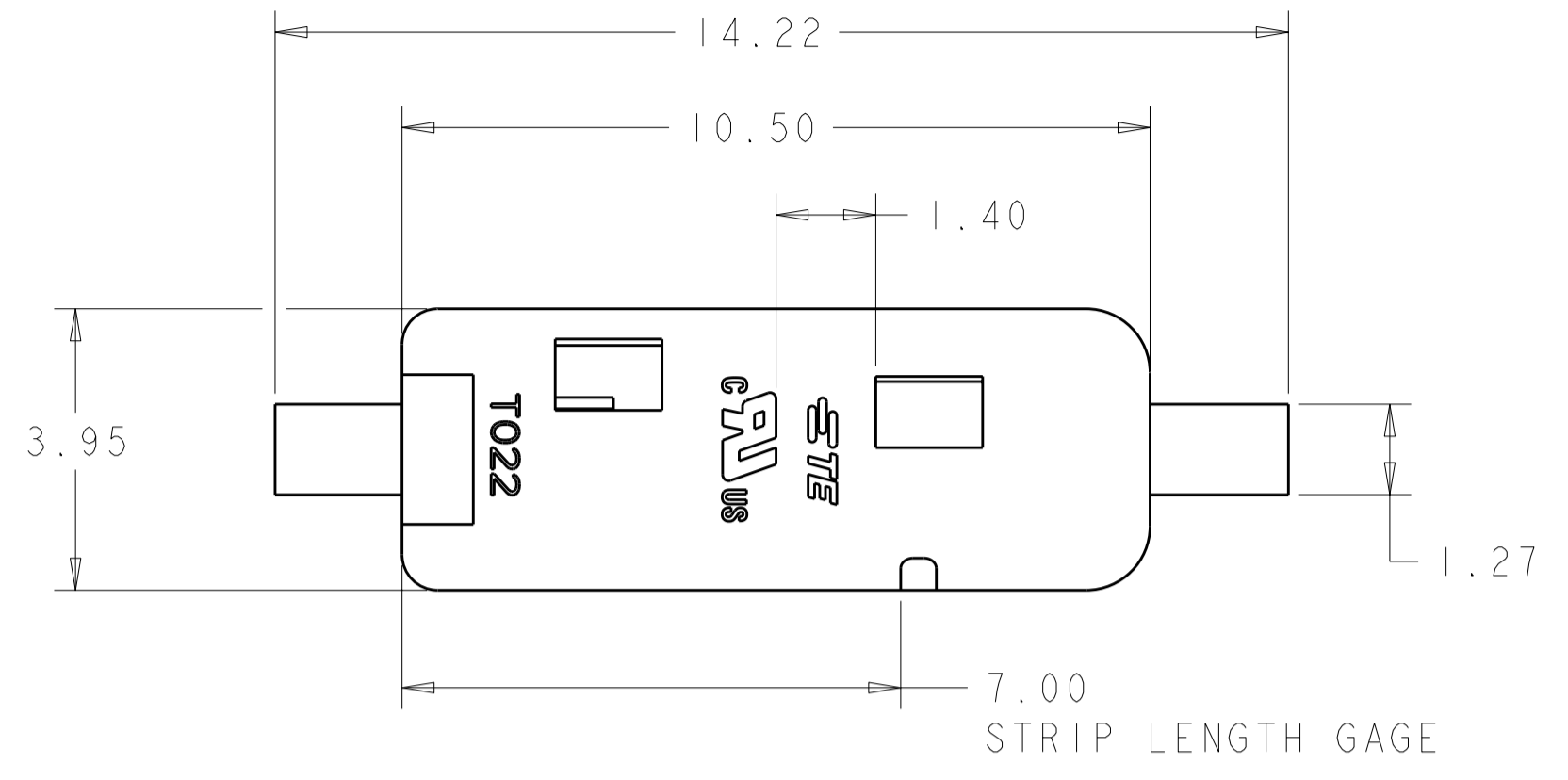
Email & Skype: info@chipsmall.com Web: www.chipsmall.com

Address: A1208, Overseas Decoration Building, #122 Zhenhua RD., Futian, Shenzhen, China

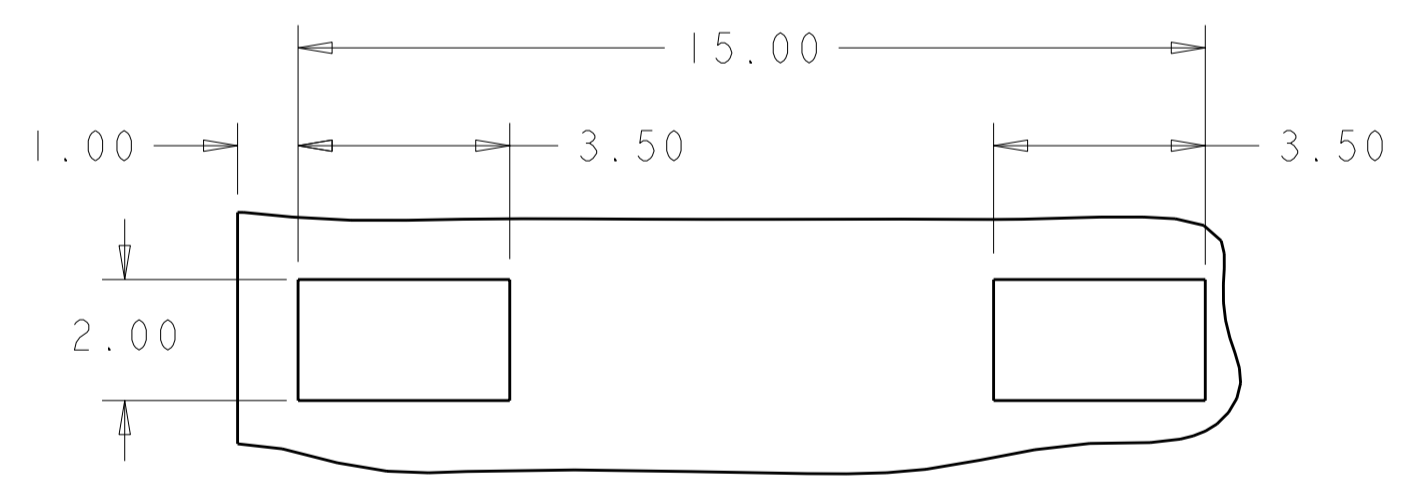
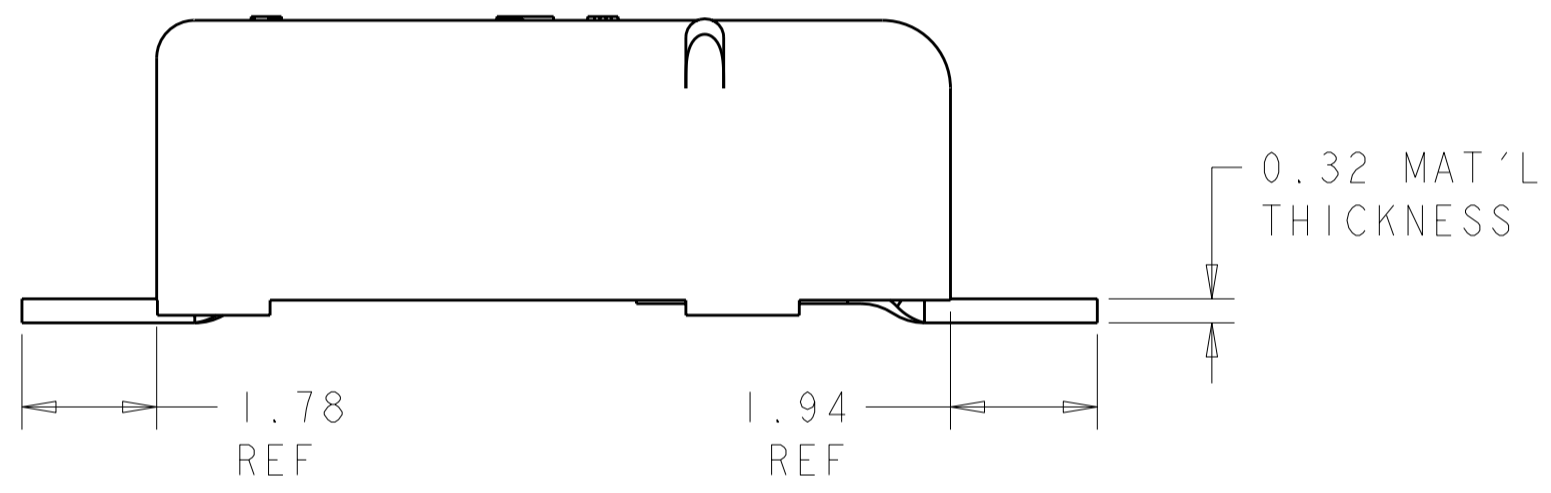
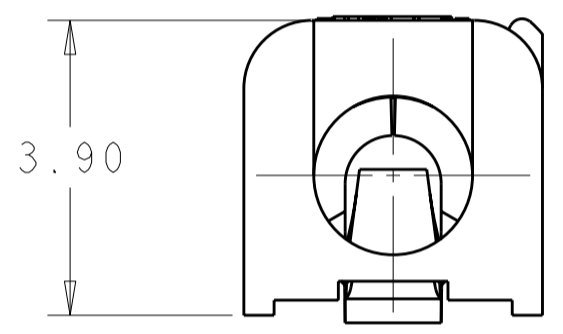


THIS DRAWING IS UNPUBLISHED. RELEASED FOR PUBLICATION 20
 © COPYRIGHT 20 ALL RIGHTS RESERVED.

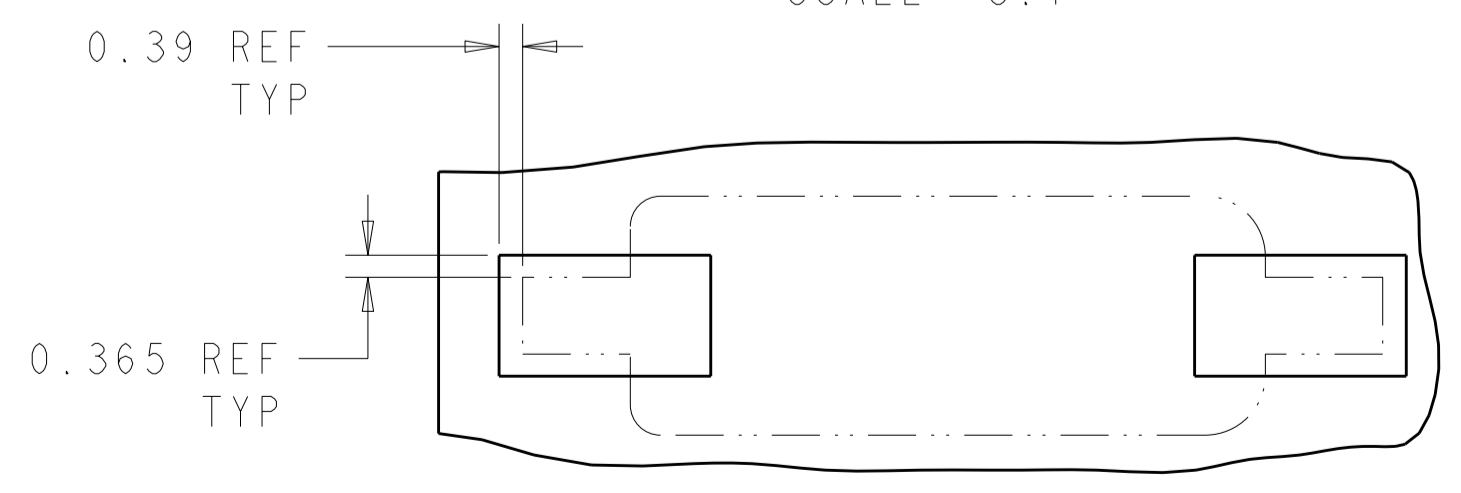
LOC		DIST		REVISIONS			
P	LTR	DESCRIPTION	DATE	DWN	APVD		
A1		REVISED PER ECR-09-018649	25AUG2009	HMR	DD		
A2		REVISED PER ECR-11-011090	03JUN2011	SK	DD		



- ⚠ MATERIALS AND FINISH:
 - HOUSING: LCP, COLOR: WHITE
 - CONTACTS: COPPER ALLOY, FINISH: TIN
- MUST COMPLY WITH DIRECTIVE 2002/95/EC (ROHS)
 - WIRE TYPES AND SIZES ACCEPTED
 18, 20 AND 22 AWG SOLID WIRE
 18 AND 20 AWG PREBOND STRANDED WIRE
 18 AWG STRANDED WIRE (16 STRAND COUNT)
 MAX INSULATION OD: 2.10 MM (.083")
 STRIP LENGTH: 7.0±1.0 (.276")
 - PACKAGED IN TAPE AND REEL
 PER EIA-481.



RECOMMENDED PCB LAYOUT
SCALE 8:1



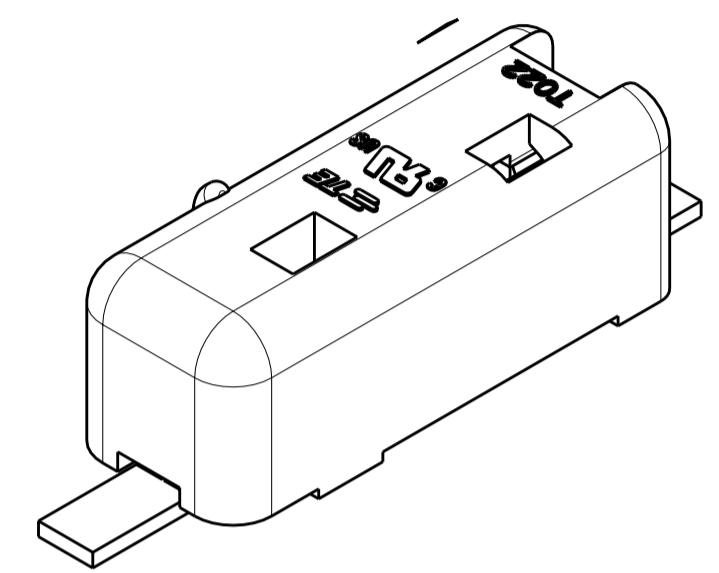
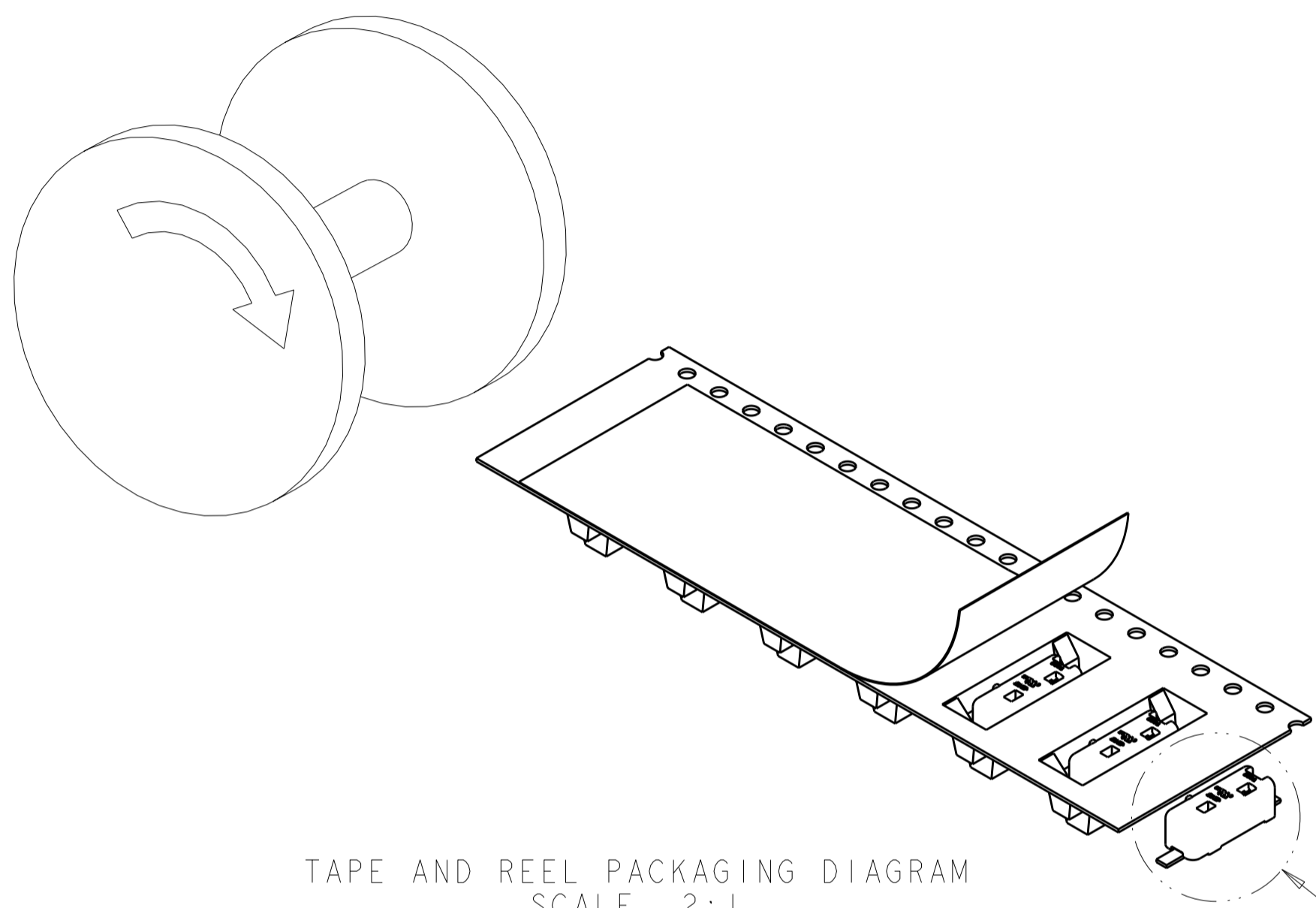
RECOMMENDED CONNECTOR PLACEMENT
SCALE 8:1

⚠	WHITE	1969307-1
MATERIAL	COLOR	PART NUMBER

THIS DRAWING IS A CONTROLLED DOCUMENT.		DWN S. SCHLEGEL 8/3/2009	TE Connectivity	
DIMENSIONS: mm		CHK D. DECKER 8/3/2009	NAME POKE-IN CONNECTOR ASSEMBLY, 1 POSITION SMT	
TOLERANCES UNLESS OTHERWISE SPECIFIED: 0 PLC ± 1 PLC ±0.5 2 PLC ±0.10 3 PLC ± 4 PLC ± ANGLES ±3° FINISH		APVD D. DECKER 8/3/2009		
SEE TABLE		PRODUCT SPEC -	SIZE A2	CAGE CODE 00779
SEE TABLE		APPLICATION SPEC -	DRAWING NO 1969307	RESTRICTED TO -
CUSTOMER DRAWING		WEIGHT -	SCALE 1:1	SHEET 1 OF 2 REV A2

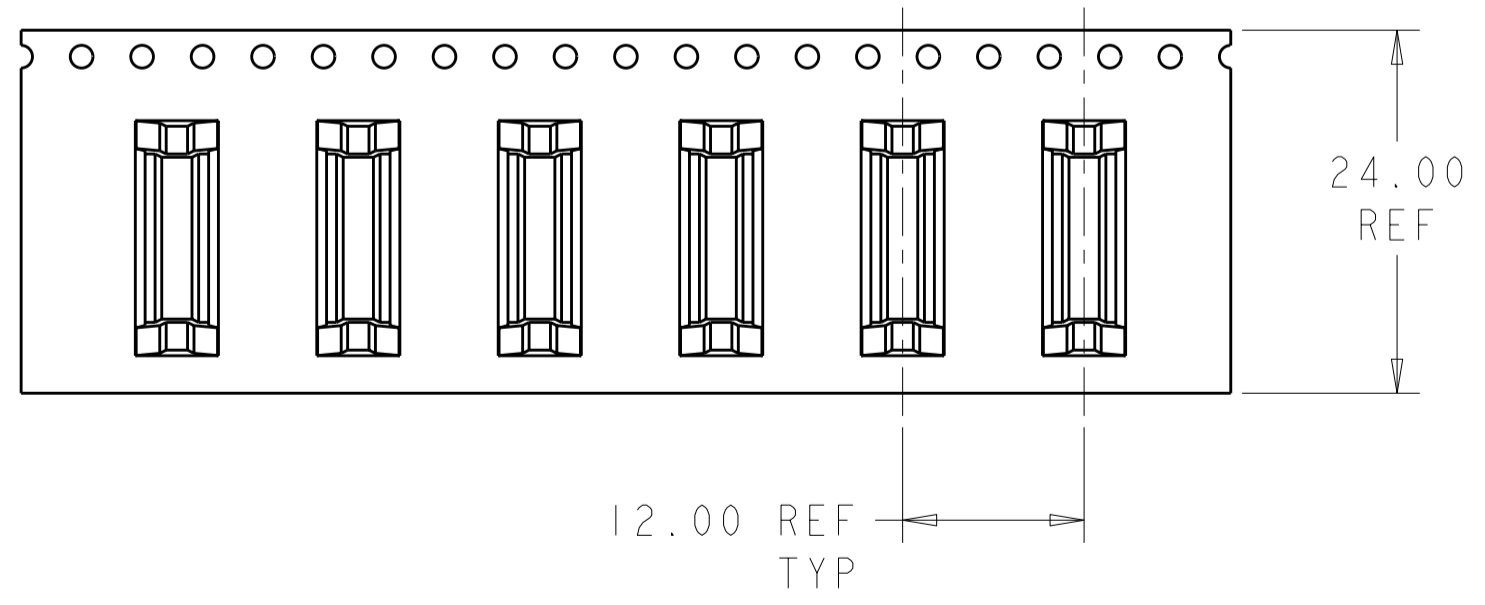
THIS DRAWING IS UNPUBLISHED. RELEASED FOR PUBLICATION 20
 © COPYRIGHT 20 ALL RIGHTS RESERVED.

LOC		DIST		REVISIONS			
P	LTR	DESCRIPTION	DATE	DWN	APVD		
-	-	SEE SHEET 1	-	-	-		



DETAIL A
SCALE 8:1

SEE DETAIL A



THIS DRAWING IS A CONTROLLED DOCUMENT.		DWN S. SCHLEGEL 8/3/2009	TE Connectivity	
DIMENSIONS: mm		CHK D. DECKER 8/3/2009		
TOLERANCES UNLESS OTHERWISE SPECIFIED:		APVD D. DECKER 8/3/2009	NAME POKE-IN CONNECTOR ASSEMBLY, 1 POSITION SMT	
0 PLC ±-		PRODUCT SPEC	SIZE	
1 PLC ±0.5		APPLICATION SPEC	CAGE CODE	
2 PLC ±0.10		WEIGHT	DRAWING NO	
3 PLC ±-		MATERIAL	RESTRICTED TO	
4 PLC ±-		FINISH	A200779C-1969307	
ANGLES ±3°		SEE TABLE	SCALE 10:1 SHEET 2 OF 2 REV A2	
CUSTOMER DRAWING				