



Chipsmall Limited consists of a professional team with an average of over 10 year of expertise in the distribution of electronic components. Based in Hongkong, we have already established firm and mutual-benefit business relationships with customers from,Europe,America and south Asia,supplying obsolete and hard-to-find components to meet their specific needs.

With the principle of “Quality Parts,Customers Priority,Honest Operation,and Considerate Service”,our business mainly focus on the distribution of electronic components. Line cards we deal with include Microchip,ALPS,ROHM,Xilinx,Pulse,ON,Everlight and Freescale. Main products comprise IC,Modules,Potentiometer,IC Socket,Relay,Connector.Our parts cover such applications as commercial,industrial, and automotives areas.

We are looking forward to setting up business relationship with you and hope to provide you with the best service and solution. Let us make a better world for our industry!



## Contact us

Tel: +86-755-8981 8866 Fax: +86-755-8427 6832

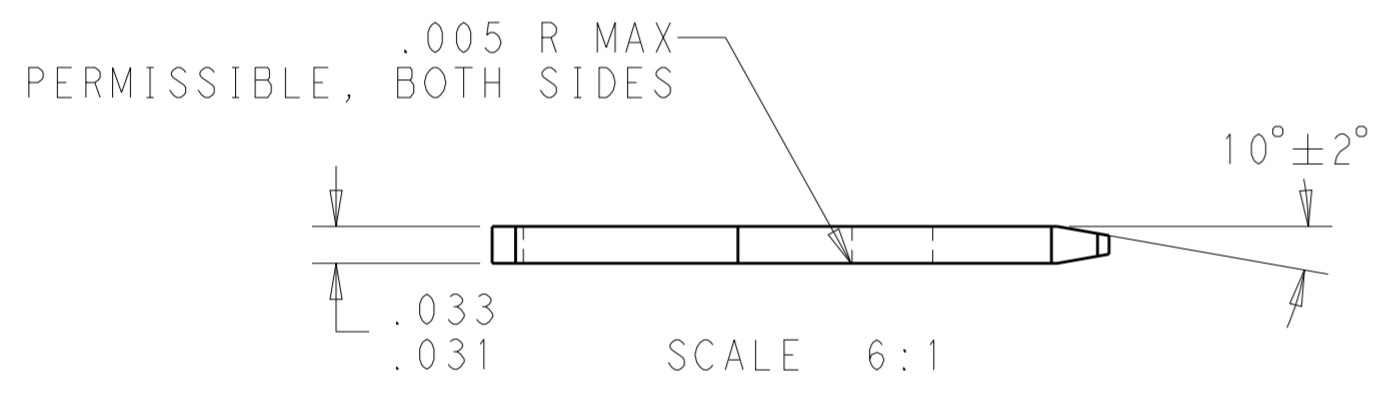
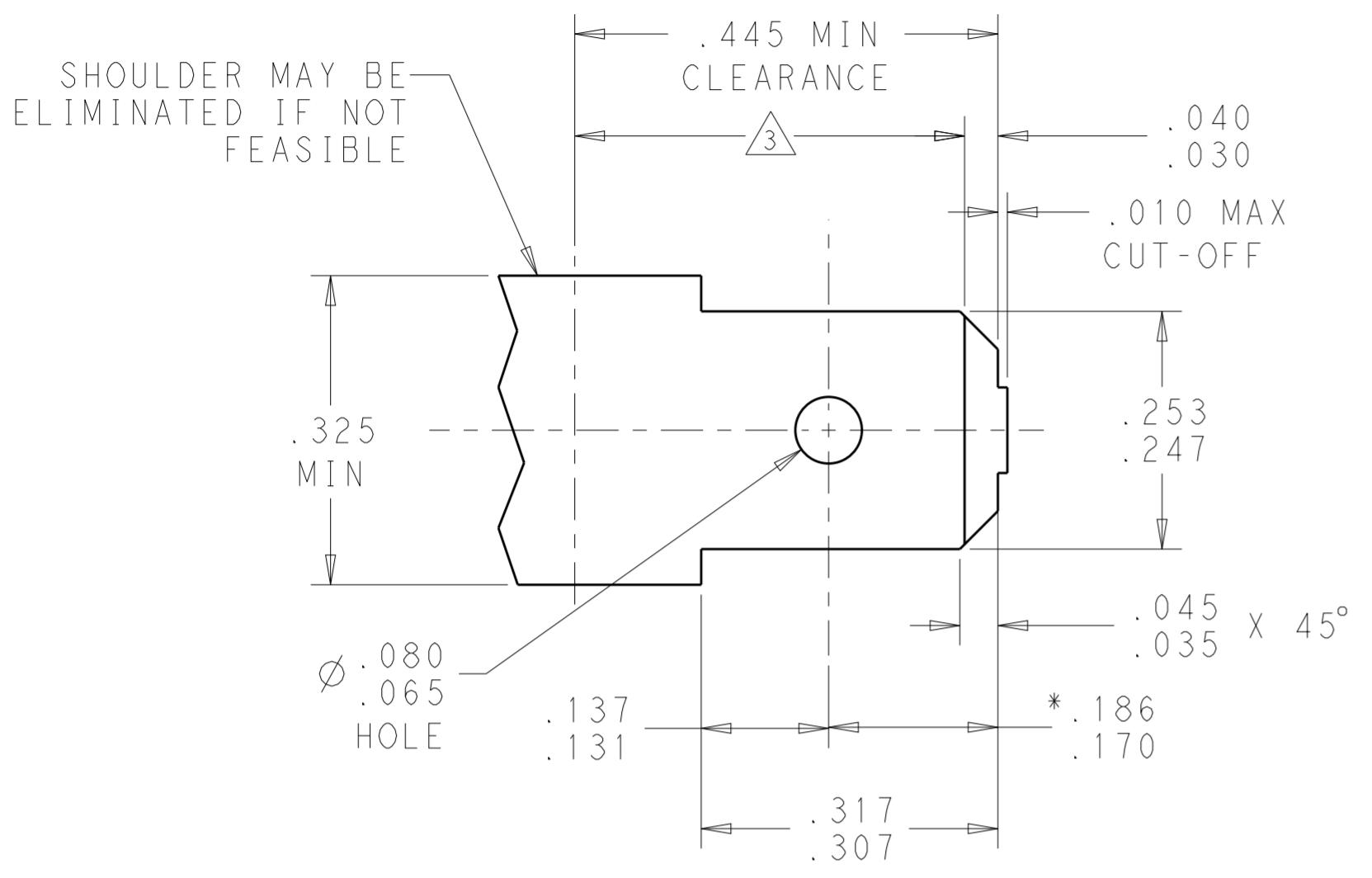
Email & Skype: info@chipsmall.com Web: www.chipsmall.com

Address: A1208, Overseas Decoration Building, #122 Zhenhua RD., Futian, Shenzhen, China

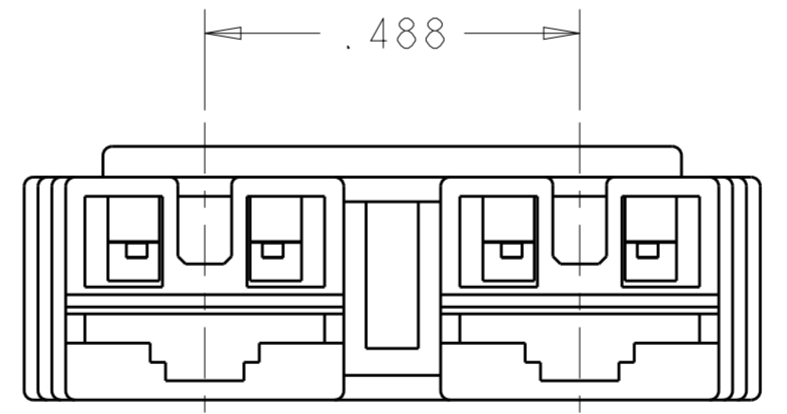
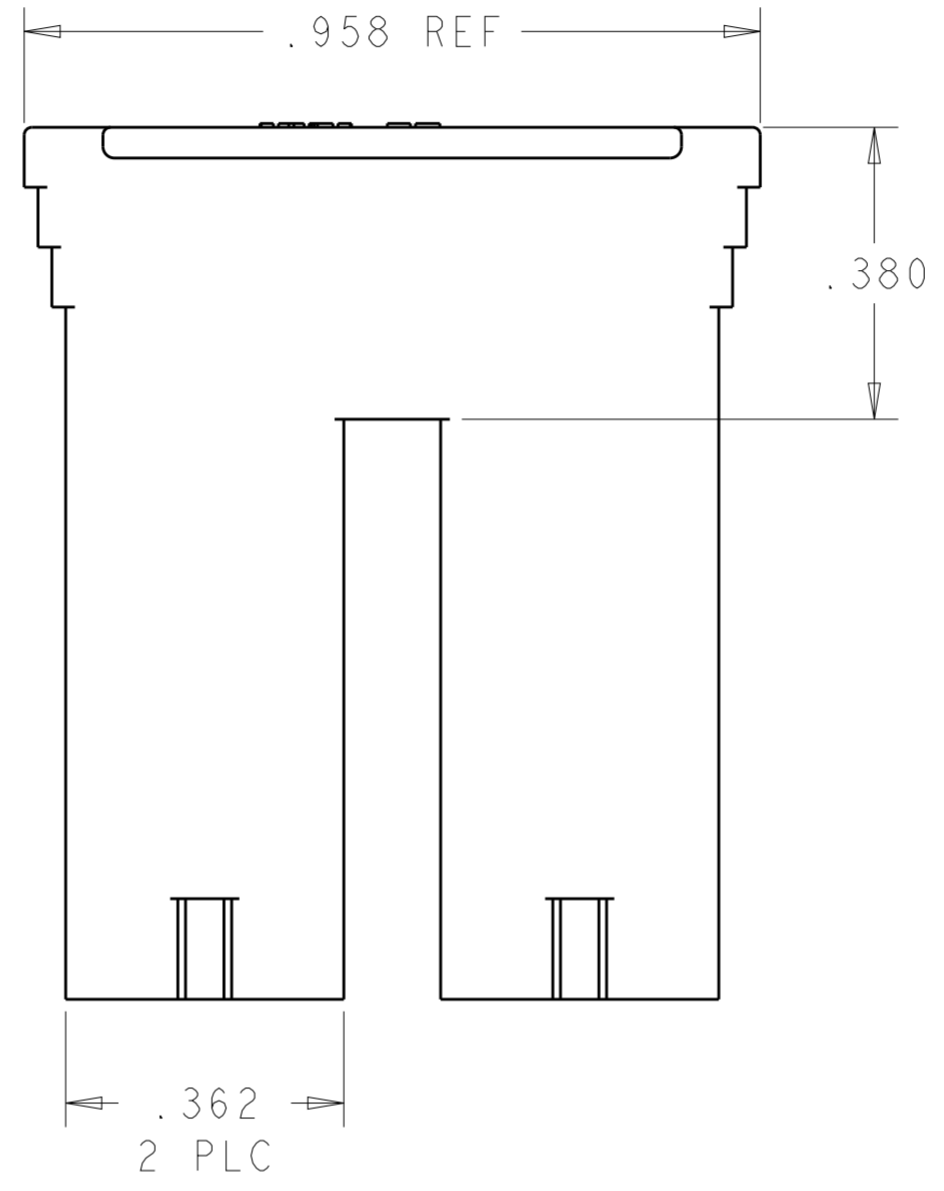
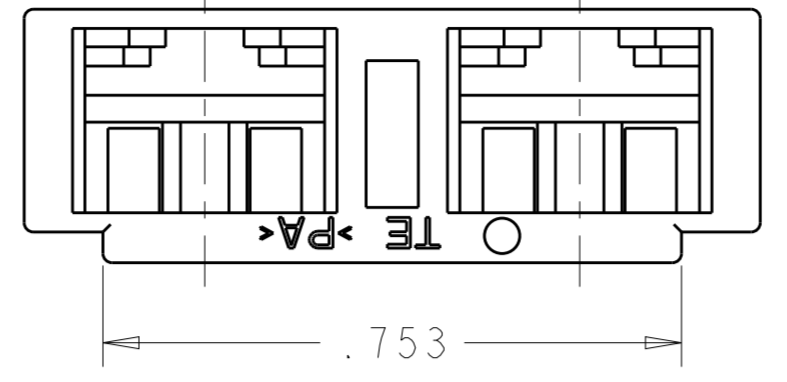
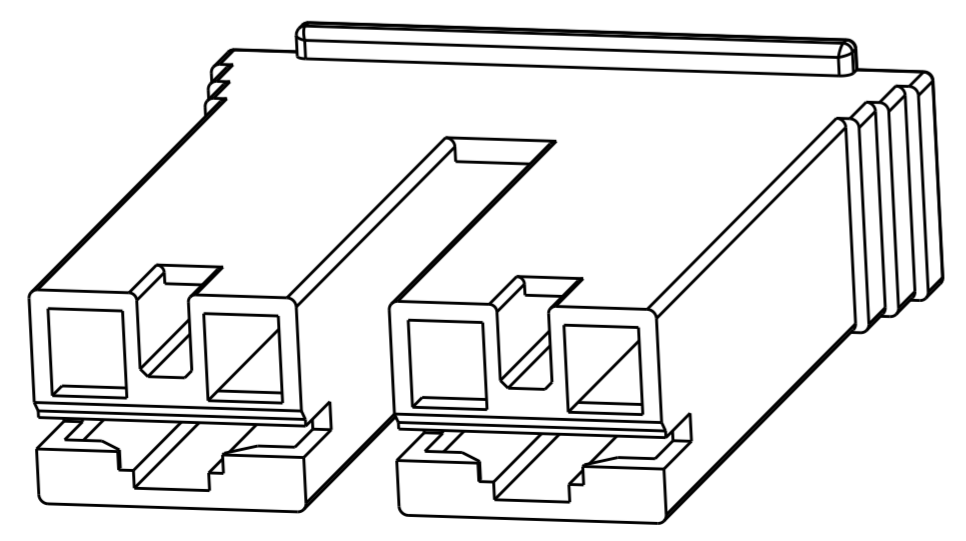


THIS DRAWING IS UNPUBLISHED. RELEASED FOR PUBLICATION 20  
 © COPYRIGHT 20 BY - ALL RIGHTS RESERVED.

# SUGGESTED MATING TAB

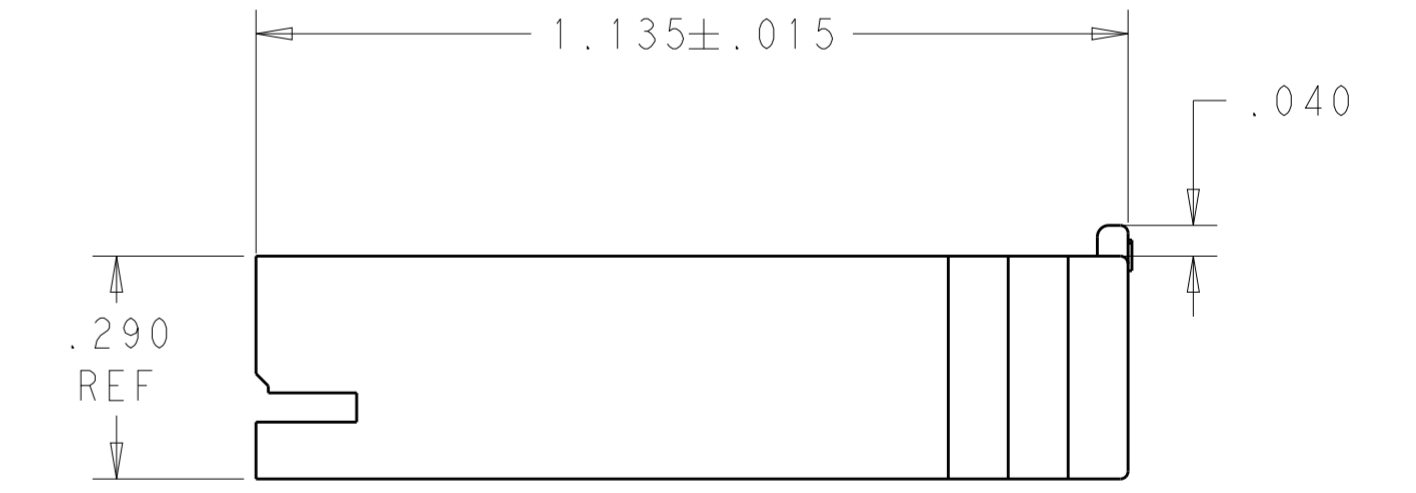


- 1 MATL: 1/2H BRASS OR NICKEL PL STEEL
- 2 NO BURRS PERMISSIBLE AT HOLE
- △ MUST BE FLAT WITHIN .003 OVER THIS LENGTH
- 4 TIN PLATING IS REQUIRED ON BRASS WHEN TERMINAL TEMP IS OVER 225° F.
- 5 HOLE MUST BE SYMMETRICAL ABOUT TAB CENTERLINE WITHIN .003
- \* TO BE USED ONLY WHEN SHOULDER IS ELIMINATED.



- 1 FOR USE WITH MKII POSITIVE LOCK, LOW INSERTION FORCE FASTON RECEPTACLES AND MOST BUDGET FASTON RECEPTACLES.
- △ PRELIMINARY - NOT FOR PRODUCTION

LOC		DIST		REVISIONS			
P	LTR	DESCRIPTION	DATE	DWN	APVD		
	A3	REVISED PER ECR-12-011782	03JUL2012	KH	KR		



NATURAL (WHITE)	66/6 NYLON V0	1969332-2
NATURAL (TRANSLUCENT)	6/6 NYLON V2	△ 1969332-1
COLOR	MATERIAL	PART NO.

THIS DRAWING IS A CONTROLLED DOCUMENT.

DIMENSIONS: INCHES	TOLERANCES UNLESS OTHERWISE SPECIFIED:	DWN: JR RUTH 21OCT2009	 TE Connectivity
	0 PLC ±-	CHK: GARY PORTA 21OCT2009	
	1 PLC ±.1	APVD: GARY PORTA 21OCT2009	
	2 PLC ±.02	NAME: HOUSING, RECPT, POSITIVE-LOCK AND STANDARD FASTON, .250 SERIES MKII	
MATERIAL: SEE TABLE	FINISH: SEE TABLE	PRODUCT SPEC: 108-5127	SIZE: A2
		APPLICATION SPEC: 114-2074	CAGE CODE: 00779
		WEIGHT: -	DRAWING NO: C-1969332
		Customer Drawing	RESTRICTED TO: -
		SCALE: 4:1	SHEET: 1 OF 1
			REV: A3