



Chipsmall Limited consists of a professional team with an average of over 10 year of expertise in the distribution of electronic components. Based in Hongkong, we have already established firm and mutual-benefit business relationships with customers from,Europe,America and south Asia,supplying obsolete and hard-to-find components to meet their specific needs.

With the principle of “Quality Parts,Customers Priority,Honest Operation,and Considerate Service”,our business mainly focus on the distribution of electronic components. Line cards we deal with include Microchip,ALPS,ROHM,Xilinx,Pulse,ON,Everlight and Freescale. Main products comprise IC,Modules,Potentiometer,IC Socket,Relay,Connector.Our parts cover such applications as commercial,industrial, and automotives areas.

We are looking forward to setting up business relationship with you and hope to provide you with the best service and solution. Let us make a better world for our industry!



Contact us

Tel: +86-755-8981 8866 Fax: +86-755-8427 6832

Email & Skype: info@chipsmall.com Web: www.chipsmall.com

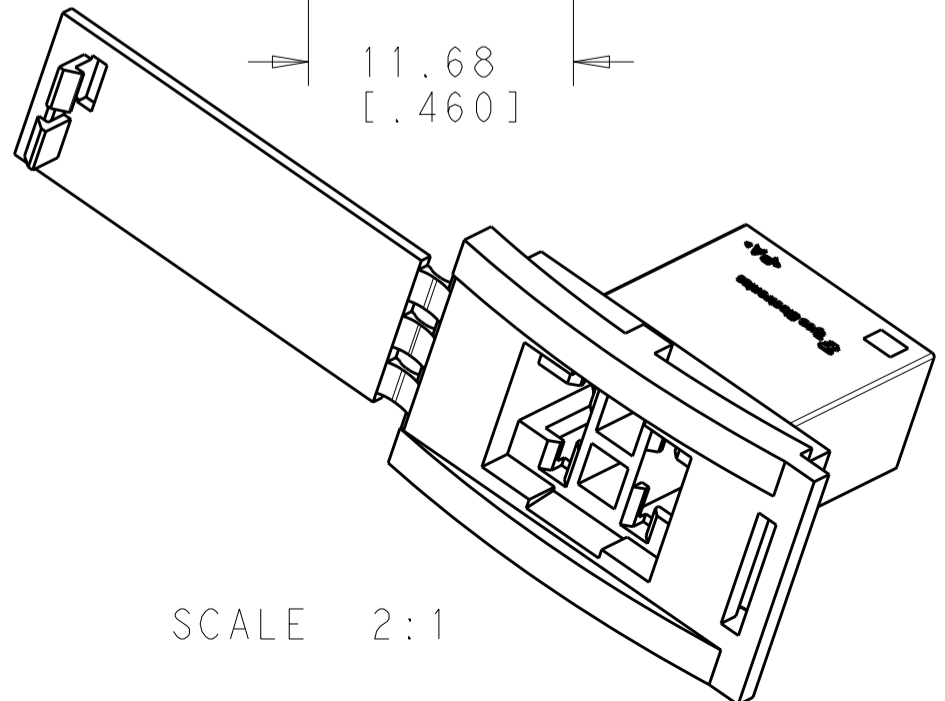
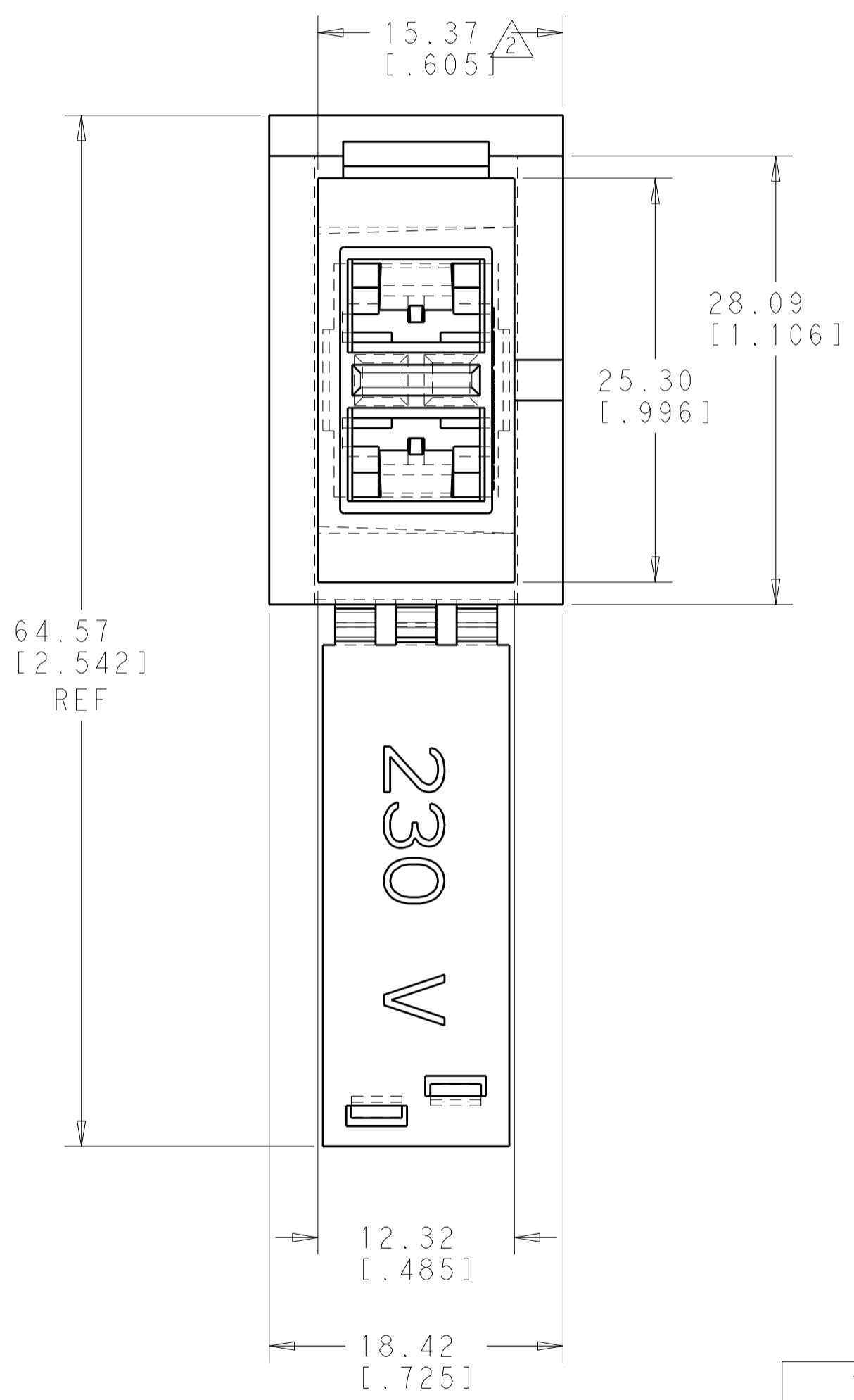
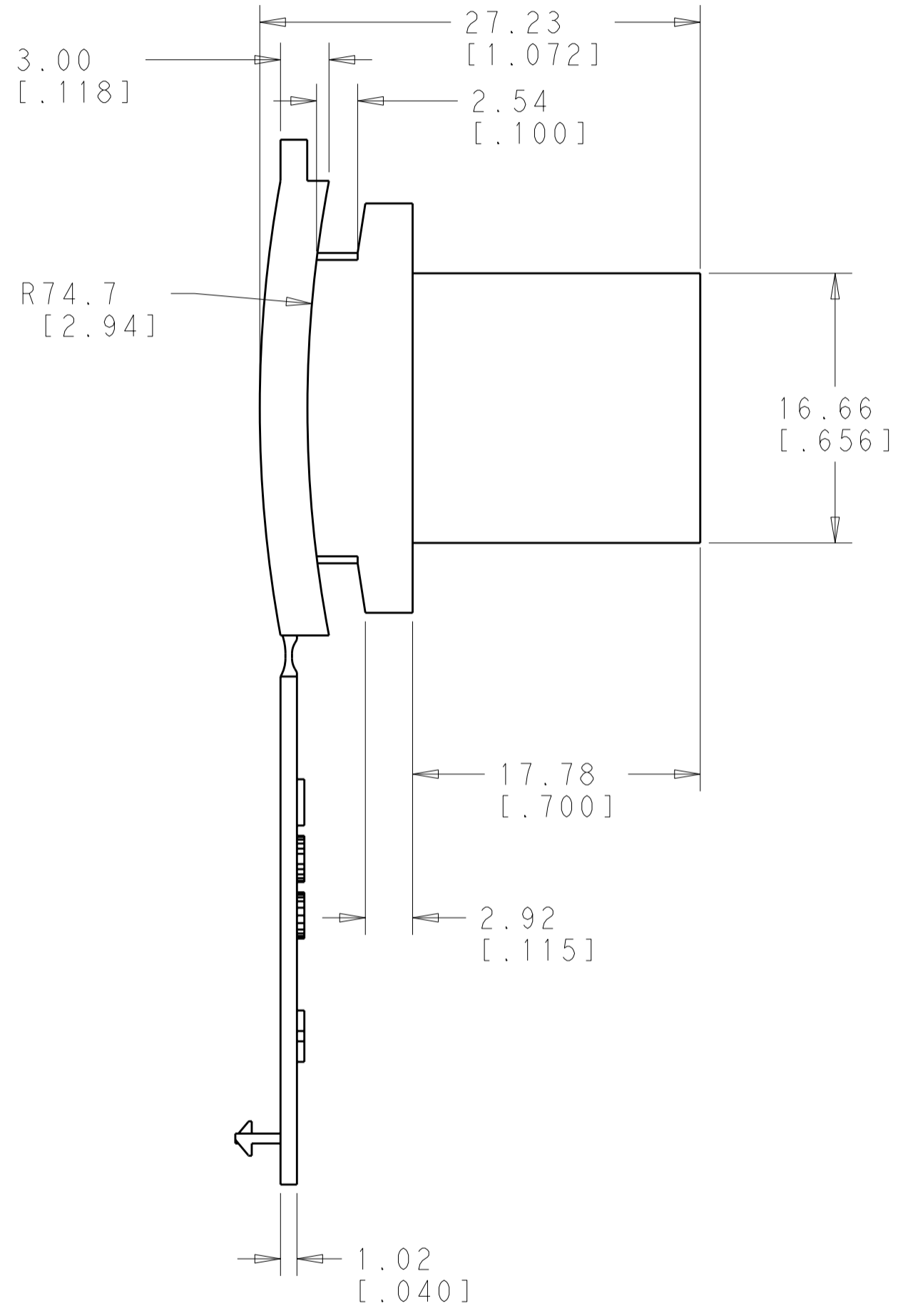
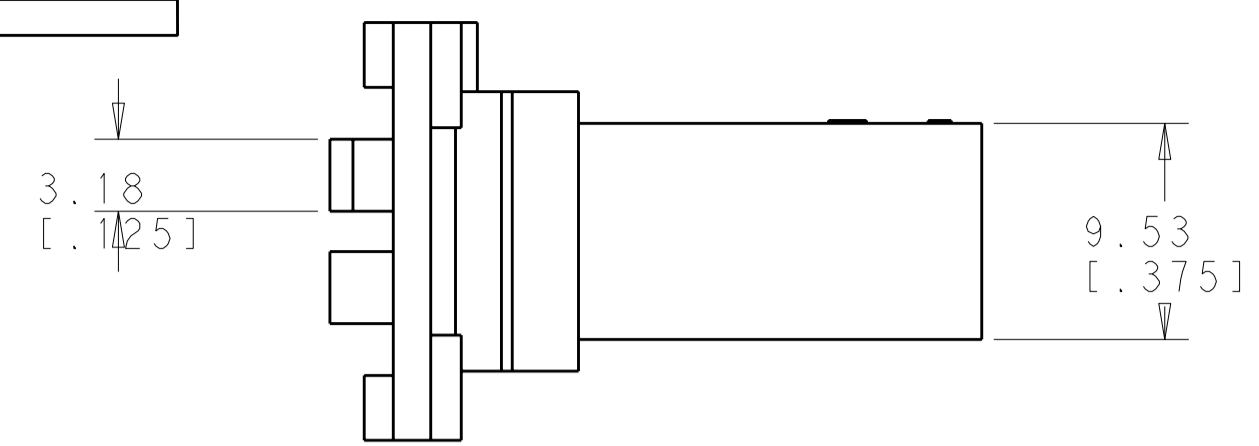
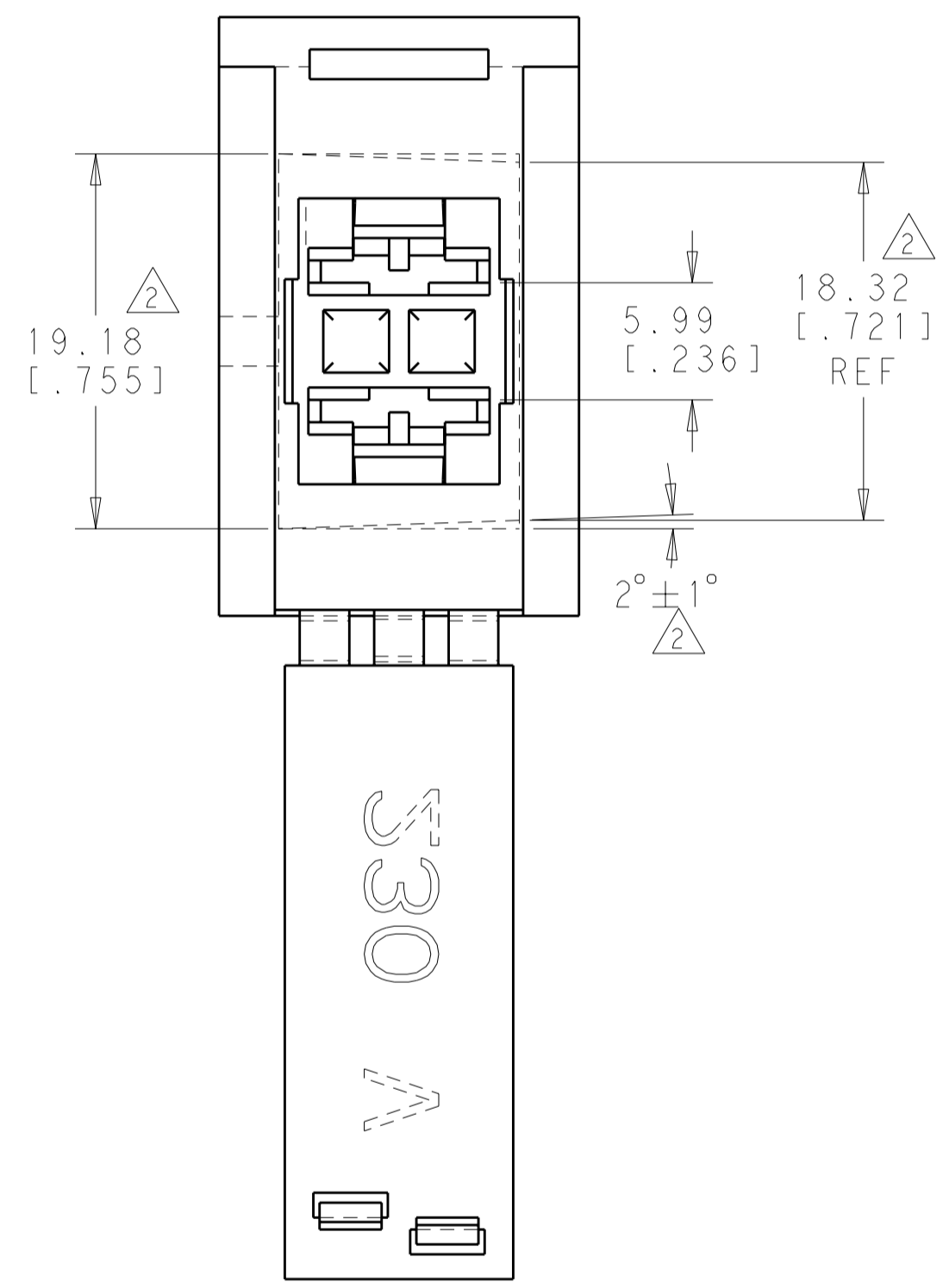
Address: A1208, Overseas Decoration Building, #122 Zhenhua RD., Futian, Shenzhen, China



THIS DRAWING IS UNPUBLISHED. RELEASED FOR PUBLICATION 20
 © COPYRIGHT 20 AMP ALL RIGHTS RESERVED.

LOC	DIST	REVISIONS			
P	LTR	DESCRIPTION	DATE	DWN	APVD
AF	58	A3	REV PER ECR 11-005349	18MAR11	JR PD

⚠ THESE DIM'S CAN BE USED TO CALCULATE THE CUT-OUT IN THE CAN WALL.



SCALE 2:1

1969387-1
 PART NUMBER

THIS DRAWING IS A CONTROLLED DOCUMENT.		DWN	JR RUTH	09AUG2010	TE Connectivity NAME HOUSING, RECEPTACLE, FASTON, 2 POSITION, .250 SERIES SIZE CAGE CODE DRAWING NO RESTRICTED TO A200779C-1969387 SCALE 3:1 SHEET 1 OF 1 REV A3	
DIMENSIONS: mm [INCHES]		CHK	PETE DESANTIS	09AUG2010		
TOLERANCES UNLESS OTHERWISE SPECIFIED:		APVD	PETE DESANTIS	09AUG2010		
0 PLC ± 1 PLC ± 2 PLC ±0.25 [.010] 3 PLC ± 4 PLC ± ANGLES ± FINISH ±		PRODUCT SPEC	-	-		
MATERIAL	NYLON, V0	APPLICATION SPEC	-	-	WEIGHT	-
CUSTOMER DRAWING						