



Chipsmall Limited consists of a professional team with an average of over 10 year of expertise in the distribution of electronic components. Based in Hongkong, we have already established firm and mutual-benefit business relationships with customers from,Europe,America and south Asia,supplying obsolete and hard-to-find components to meet their specific needs.

With the principle of “Quality Parts,Customers Priority,Honest Operation,and Considerate Service”,our business mainly focus on the distribution of electronic components. Line cards we deal with include Microchip,ALPS,ROHM,Xilinx,Pulse,ON,Everlight and Freescale. Main products comprise IC,Modules,Potentiometer,IC Socket,Relay,Connector.Our parts cover such applications as commercial,industrial, and automotives areas.

We are looking forward to setting up business relationship with you and hope to provide you with the best service and solution. Let us make a better world for our industry!



## Contact us

Tel: +86-755-8981 8866 Fax: +86-755-8427 6832

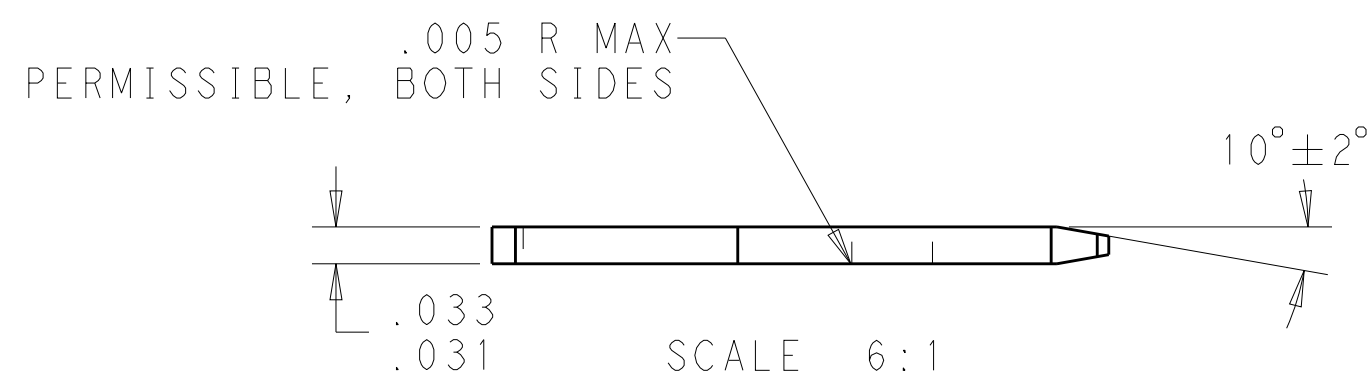
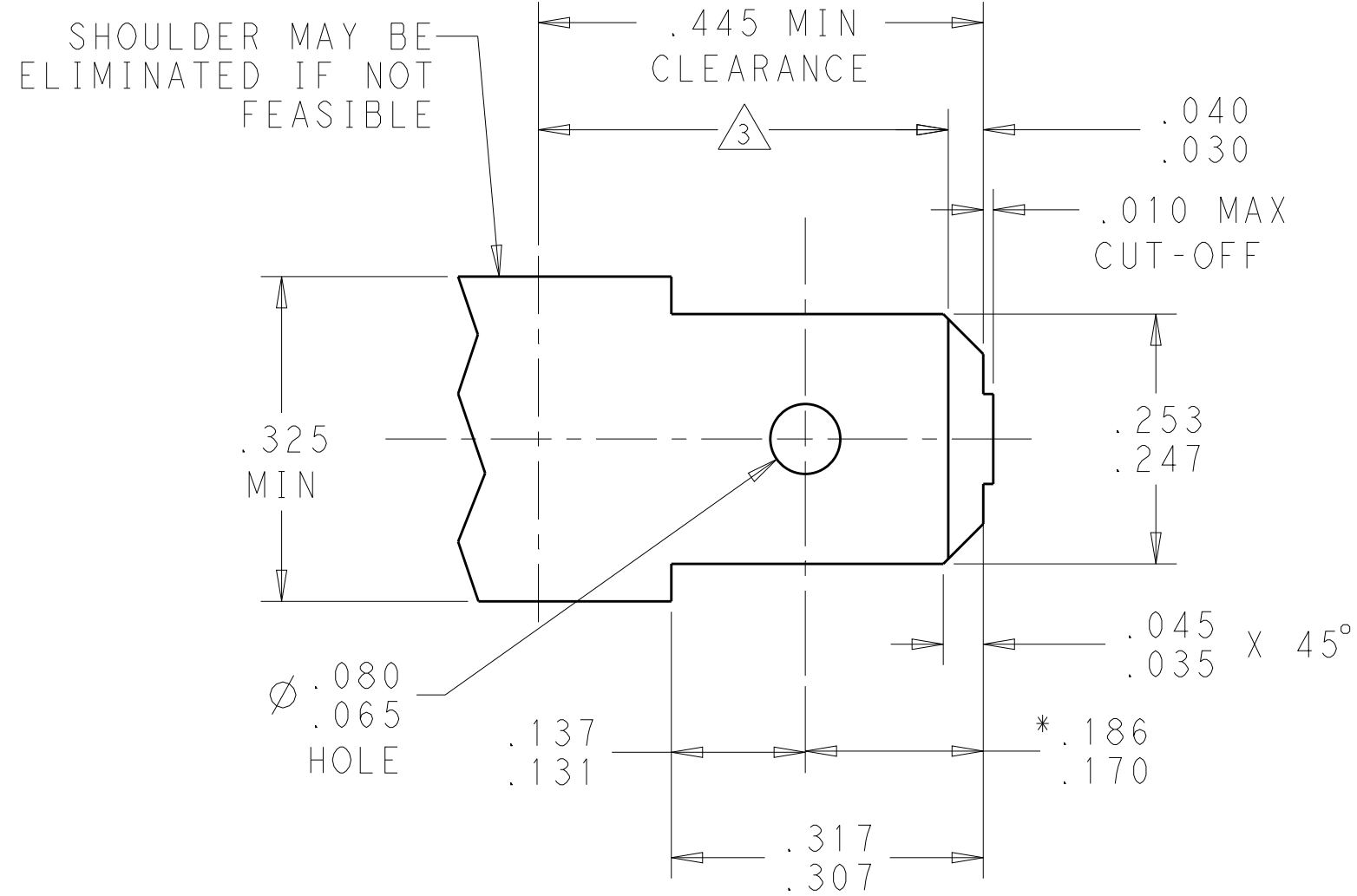
Email & Skype: info@chipsmall.com Web: www.chipsmall.com

Address: A1208, Overseas Decoration Building, #122 Zhenhua RD., Futian, Shenzhen, China

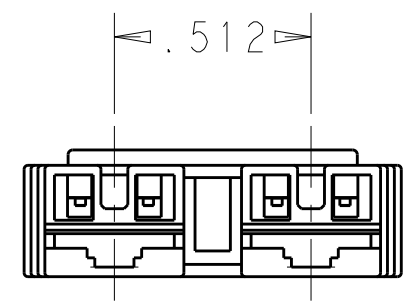
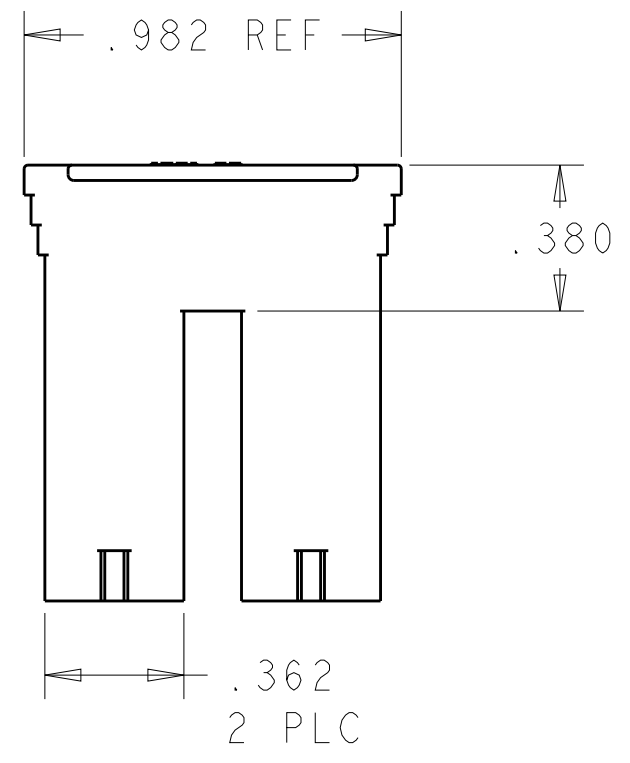
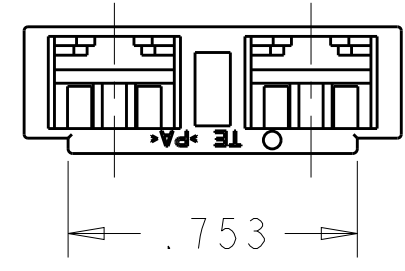


LOC		DIST		REVISIONS			
P	LTR	DESCRIPTION	DATE	DWN	APVD		
-	-	A4	RELEASED PER ECR-15-010648	17JUL2015	HG	TD	

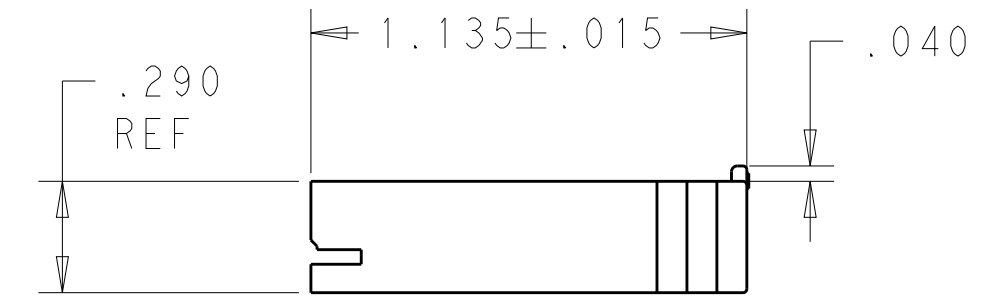
# SUGGESTED MATING TAB



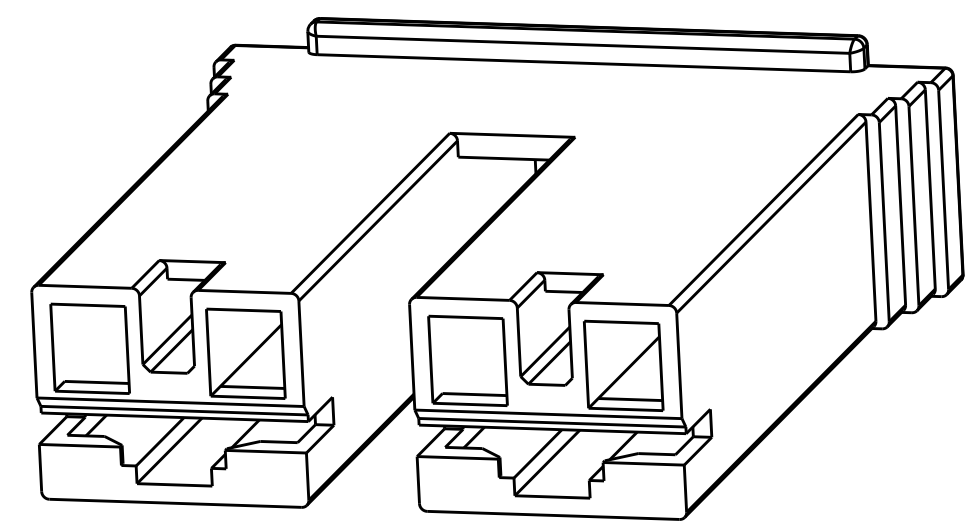
- 1 MATL: 1/2H BRASS OR NICKEL PL STEEL
- 2 NO BURRS PERMISSBLE AT HOLE
- △ MUST BE FLAT WITHIN .003 OVER THIS LENGTH
- 4 TIN PLATING IS REQUIRED ON BRASS WHEN TERMINAL TEMP IS OVER 225° F.
- 5 HOLE MUST BE SYMMETRICAL ABOUT TAB CENTERLINE WITHIN .003
- \* TO BE USED ONLY WHEN SHOULDER IS ELIMINATED.



1 FOR USE WITH MKII POSITIVE LOCK, LOW INSERTION FORCE FASTON RECEPTACLES AND MOST BUDGET FASTON RECEPTACLES.



BLACK	66 NYLON	1969453-8
YELLOW	66 NYLON	1969453-6
BLUE	66 NYLON	1969453-5
RED	66 NYLON	1-1969453-2
NATURAL	66 NYLON V0	1-1969453-1
NATURAL (WHITE)	66/6 NYLON V0	1969453-1
COLOR	MATERIAL	PART NO.



THIS DRAWING IS A CONTROLLED DOCUMENT.

DIMENSIONS: INCHES	TOLERANCES UNLESS OTHERWISE SPECIFIED:	DWN: JR RUTH 04AUG11	TE Connectivity	
	0 PLC ±.1	CHK: KURT RANDOLPH 04AUG11		
	1 PLC ±.02	APVD: KURT RANDOLPH 04AUG11		
	2 PLC ±.010	NAME: HOUSING, RECPT, POSITIVE-LOCK AND STANDARD FASTON, .250 SERIES MKII		
MATERIAL: SEE TABLE	FINISH: ±.	APVD: KURT RANDOLPH 04AUG11	SIZE: A200779 CAGE CODE: C-1969453 DRAWING NO: C-1969453 RESTRICTED TO: -	
CUSTOMER DRAWING		SCALE: 4:1	SHEET: 1 OF 1	REV: A4