



Chipsmall Limited consists of a professional team with an average of over 10 year of expertise in the distribution of electronic components. Based in Hongkong, we have already established firm and mutual-benefit business relationships with customers from,Europe,America and south Asia,supplying obsolete and hard-to-find components to meet their specific needs.

With the principle of “Quality Parts,Customers Priority,Honest Operation,and Considerate Service”,our business mainly focus on the distribution of electronic components. Line cards we deal with include Microchip,ALPS,ROHM,Xilinx,Pulse,ON,Everlight and Freescale. Main products comprise IC,Modules,Potentiometer,IC Socket,Relay,Connector.Our parts cover such applications as commercial,industrial, and automotives areas.

We are looking forward to setting up business relationship with you and hope to provide you with the best service and solution. Let us make a better world for our industry!



## Contact us

Tel: +86-755-8981 8866 Fax: +86-755-8427 6832

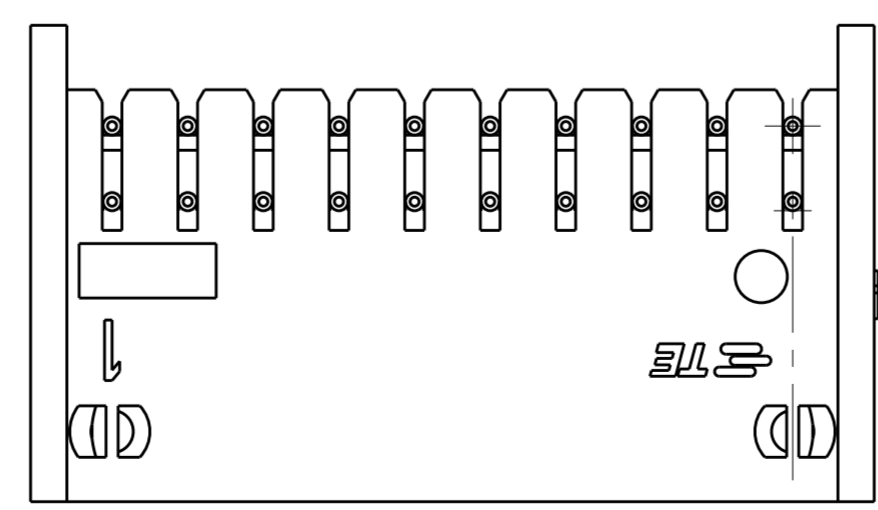
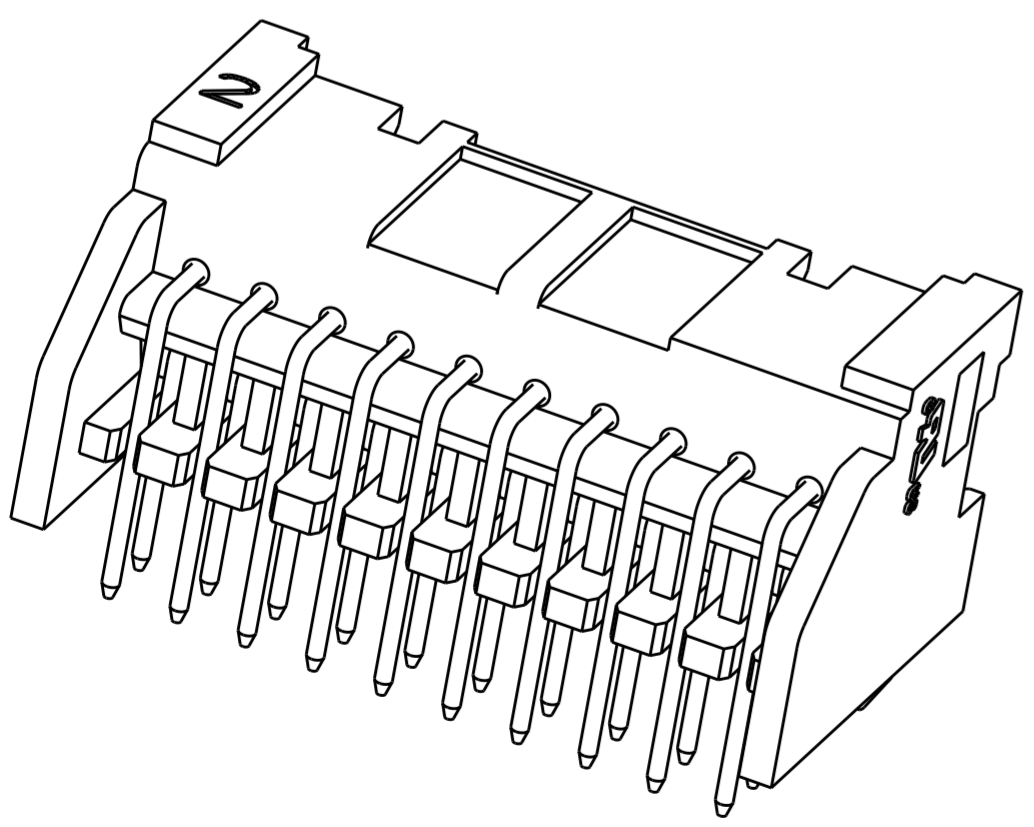
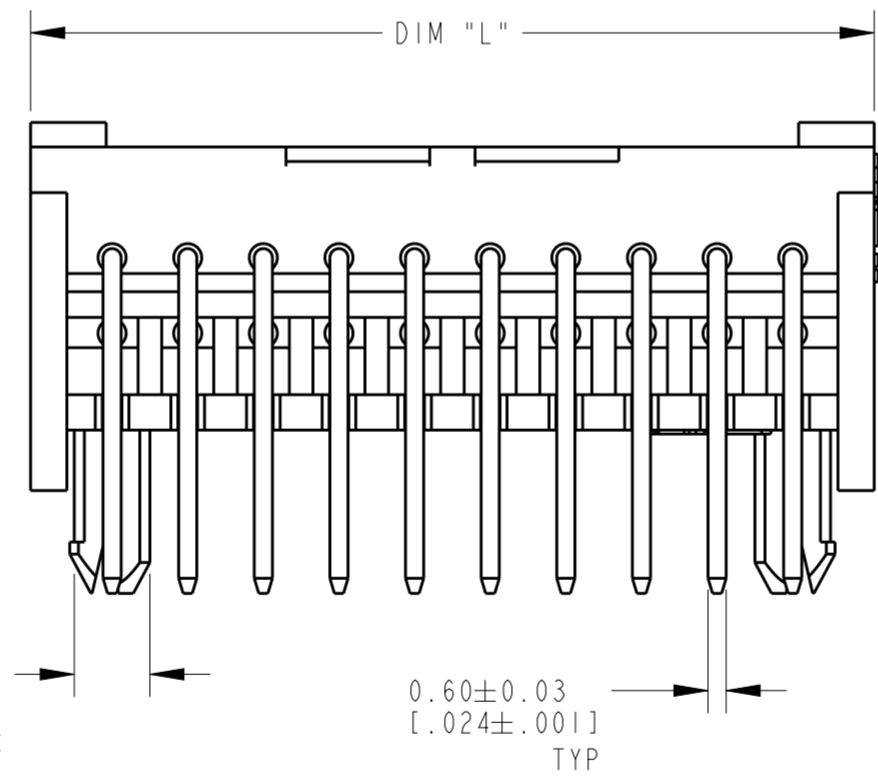
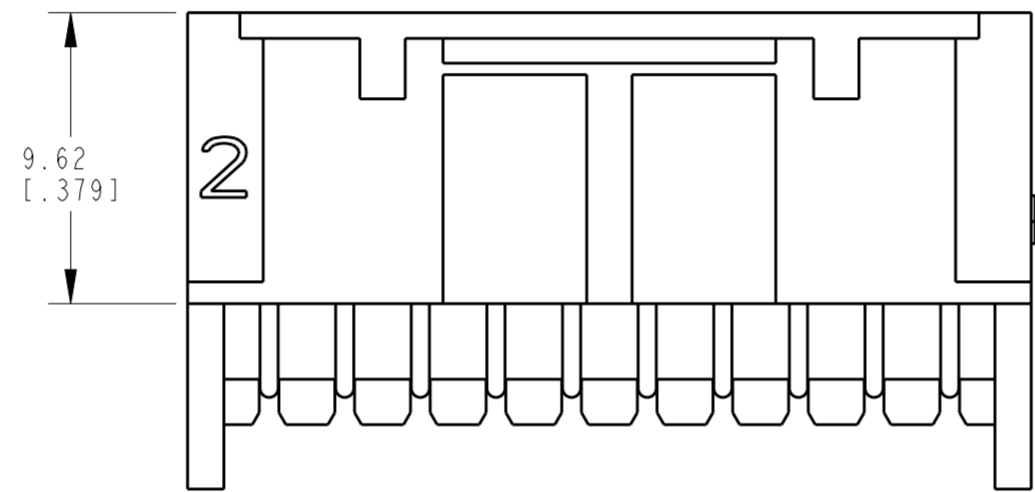
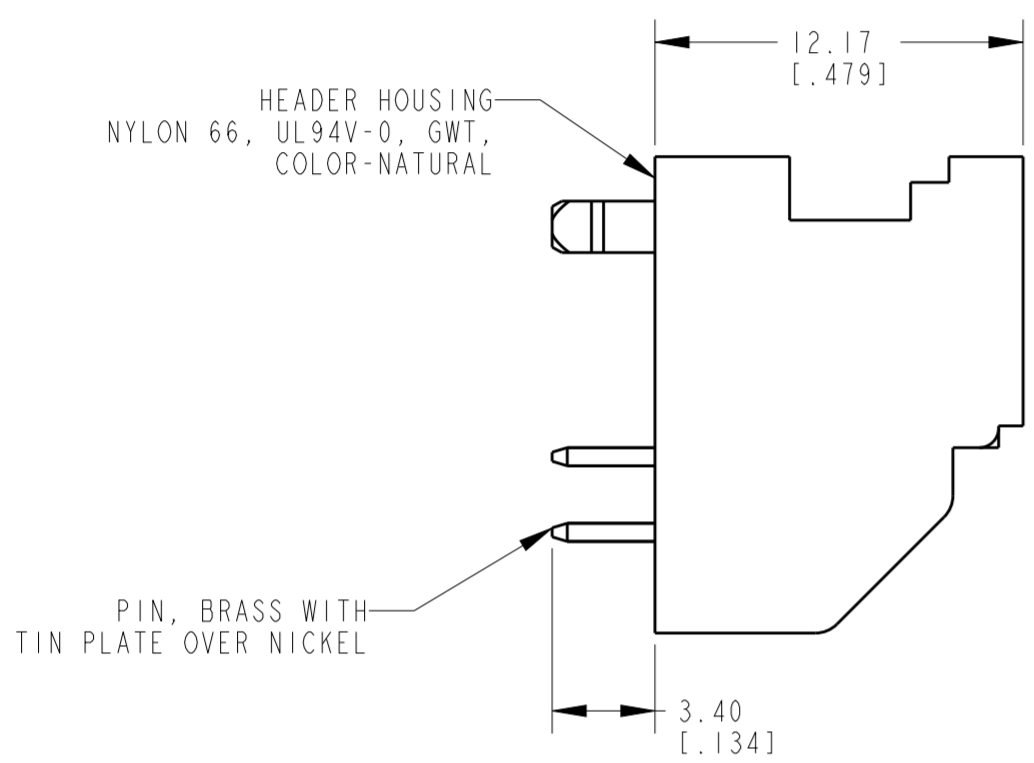
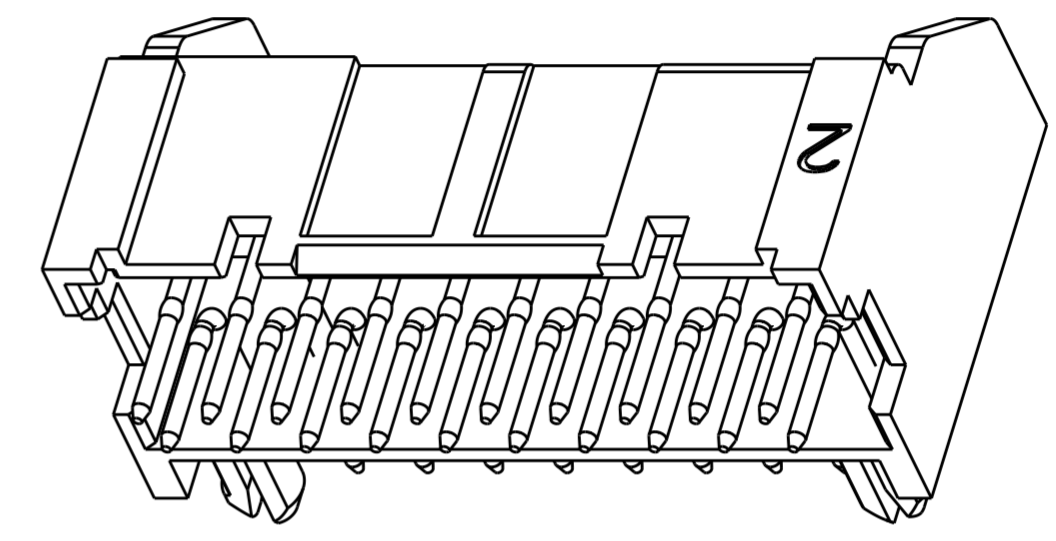
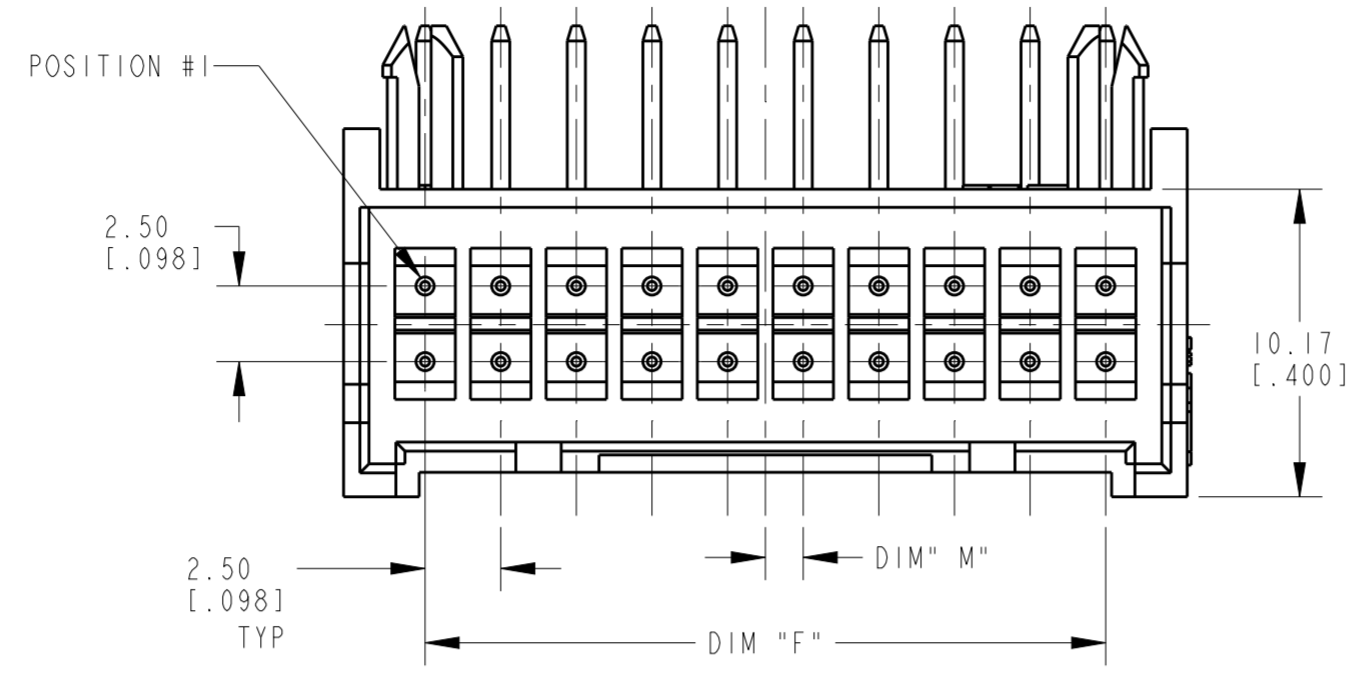
Email & Skype: info@chipsmall.com Web: www.chipsmall.com

Address: A1208, Overseas Decoration Building, #122 Zhenhua RD., Futian, Shenzhen, China



THIS DRAWING IS UNPUBLISHED. RELEASED FOR PUBLICATION 20  
 © COPYRIGHT 20 ALL RIGHTS RESERVED.

| REVISIONS |     |                            |         |     |      |
|-----------|-----|----------------------------|---------|-----|------|
| P         | LTR | DESCRIPTION                | DATE    | DWN | APVD |
| A         |     | RELEASED PER ECO-15-000344 | 14JAN15 | JR  | KR   |



|             |                       |               |               |                  |             |
|-------------|-----------------------|---------------|---------------|------------------|-------------|
| 1.25 [.049] | 2                     | 47.50 [1.870] | 52.89 [2.083] | 40               | 4-1969572-0 |
| 0.00        | 2                     | 45.00 [1.772] | 50.39 [1.985] | 38               | 3-1969572-8 |
| 1.25 [.049] | 2                     | 42.50 [1.673] | 47.89 [1.886] | 36               | 3-1969572-6 |
| 0.00        | 2                     | 40.00 [1.575] | 45.39 [1.788] | 34               | 3-1969572-4 |
| 1.25 [.049] | 2                     | 37.50 [1.477] | 42.89 [1.689] | 32               | 3-1969572-2 |
| 0.00        | 2                     | 35.00 [1.378] | 40.39 [1.591] | 30               | 3-1969572-0 |
| 1.25 [.049] | 2                     | 32.50 [1.280] | 37.89 [1.492] | 28               | 2-1969572-8 |
| 0.00        | 2                     | 30.00 [1.181] | 35.39 [1.394] | 26               | 2-1969572-6 |
| 1.25 [.049] | 2                     | 27.50 [1.083] | 32.89 [1.295] | 24               | 2-1969572-4 |
| 0.00        | 2                     | 25.00 [.984]  | 30.39 [1.197] | 22               | 2-1969572-2 |
| 1.25 [.049] | 2                     | 22.50 [.886]  | 27.89 [1.098] | 20               | 2-1969572-0 |
| 0.00        | 2                     | 20.00 [.787]  | 25.39 [1.000] | 18               | 1-1969572-8 |
| 1.25 [.049] | 1                     | 17.50 [.689]  | 22.89 [.901]  | 16               | 1-1969572-6 |
| 0.00        | 1                     | 15.00 [.590]  | 20.39 [.803]  | 14               | 1-1969572-4 |
| 1.25 [.049] | 1                     | 12.50 [.492]  | 17.89 [.704]  | 12               | 1-1969572-2 |
| 0.00        | 1                     | 10.00 [.394]  | 15.39 [.606]  | 10               | 1-1969572-0 |
| 1.25 [.049] | 1                     | 7.50 [.295]   | 12.89 [.507]  | 8                | 1969572-8   |
| DIM "M"     | NO. OF LATCH CUT-OUTS | DIM "F"       | DIM "L"       | NO. OF POSITIONS | PART NO.    |

THIS DRAWING IS A CONTROLLED DOCUMENT.

DWN H.C. CANTER 03OCT2012  
 CHK K.A. RANDOLPH 13FEB13  
 APVD K.A. RANDOLPH 13FEB13

**STE** TE Connectivity

NAME ASSEMBLY, PIN HEADER, EP 2.5, HORIZONTAL DUAL ROW

SIZE A2 CAGE CODE 00779 DRAWING NO. C-1969572 RESTRICTED TO -

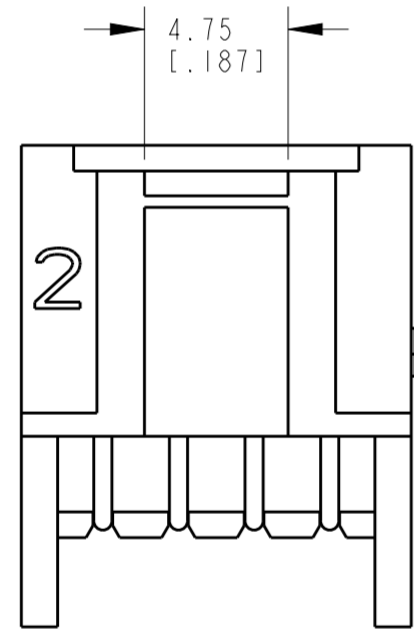
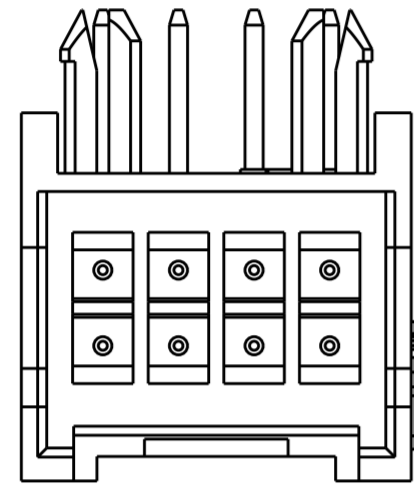
MATERIAL - DIMENSIONS: mm [INCHES] TOLERANCES UNLESS OTHERWISE SPECIFIED: 0 PLC ±, 1 PLC ±, 2 PLC ±0.25 [.010], 3 PLC ±, 4 PLC ±, ANGLES ±, FINISH -

PRODUCT SPEC - APPLICATION SPEC - WEIGHT -

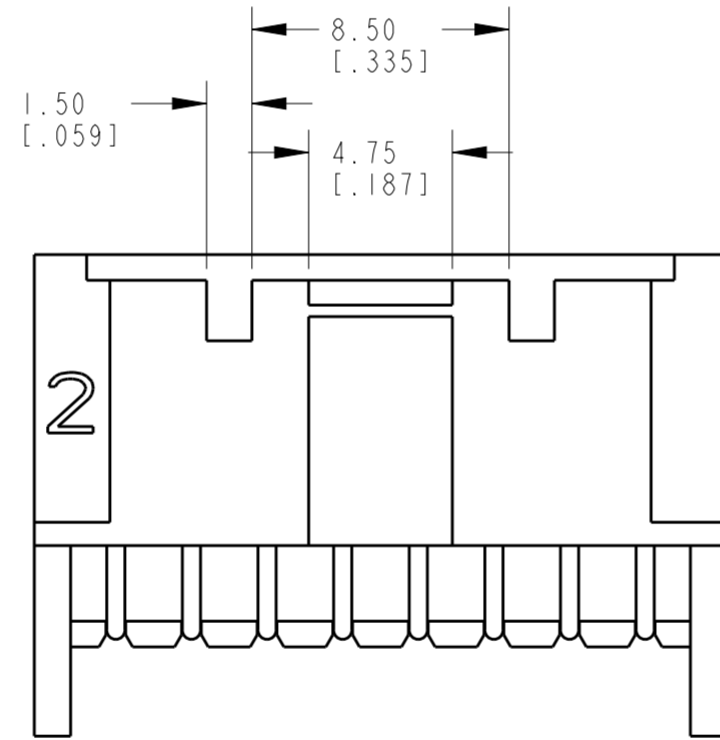
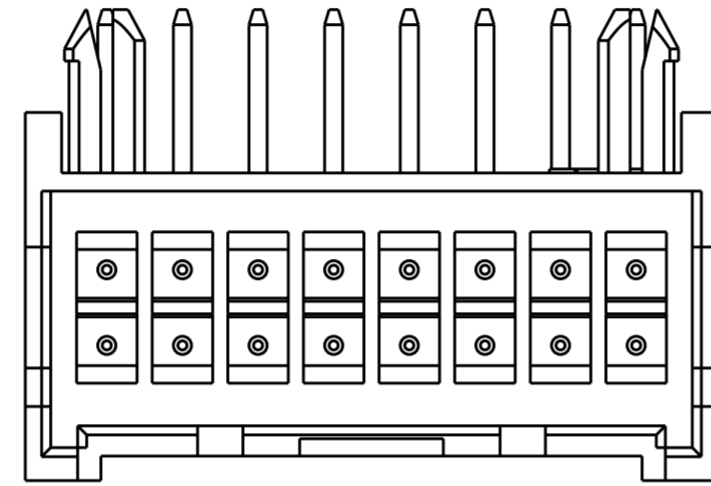
Customer Drawing SCALE 4:1 SHEET 1 OF 2 REV A

THIS DRAWING IS UNPUBLISHED. RELEASED FOR PUBLICATION 20  
 © COPYRIGHT 20 ALL RIGHTS RESERVED.

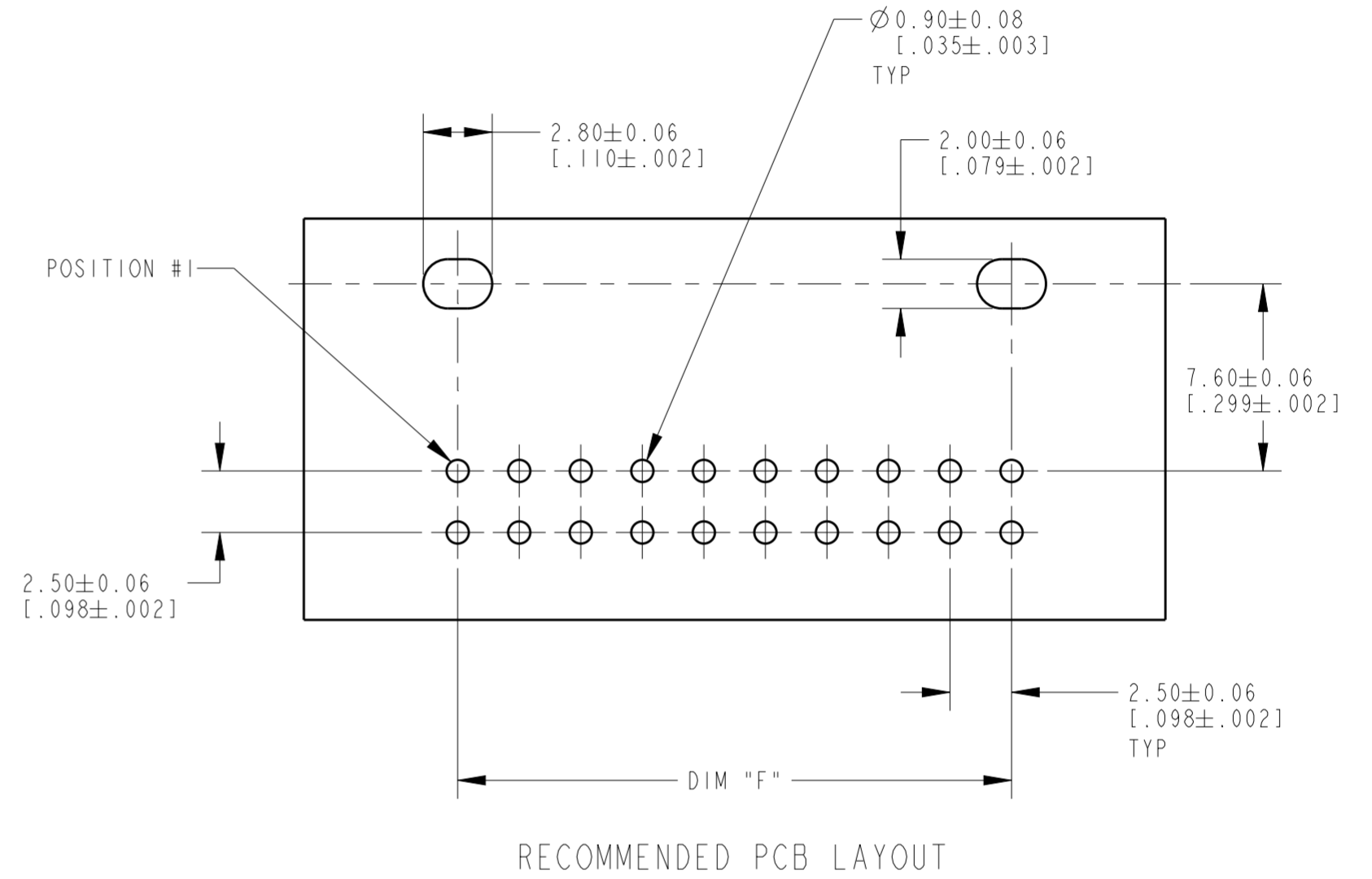
| REVISIONS |     |             |      |      |
|-----------|-----|-------------|------|------|
| P         | LTR | DESCRIPTION | DATE | APVD |
| -         |     | SEE SHEET 1 | -    | -    |
|           |     |             |      |      |
|           |     |             |      |      |



SINGLE LATCH DETAIL  
 1969572-8 SHOWN HERE  
 THESE DIM'S ARE FOR THE  
 1969572-8 AND 1-1969572-0



SINGLE LATCH DETAIL  
 1-1969572-6 SHOWN HERE  
 THESE DIM'S ARE FOR THE  
 1-1969572-2 THRU 4-1969572-0



RECOMMENDED PCB LAYOUT

|   |  |                                  |   |                    |
|---|--|----------------------------------|---|--------------------|
| THIS DRAWING IS A CONTROLLED DOCUMENT.  |  | DWN<br>H.C. CANTER<br>03OCT2012  | TE Connectivity   |                    |
| DIMENSIONS:<br>mm [INCHES]  |  | CHK<br>K.A. RANDOLPH<br>13FEB13  |   |                    |
| TOLERANCES UNLESS OTHERWISE SPECIFIED:  |  | APVD<br>K.A. RANDOLPH<br>13FEB13 | NAME<br>ASSEMBLY, PIN HEADER,<br>EP 2.5, HORIZONTAL<br>DUAL ROW |                    |
| 0 PLC ±<br>1 PLC ±<br>2 PLC ±0.25 [0.010]<br>3 PLC ±<br>4 PLC ±<br>ANGLES ±<br>FINISH ± |  | PRODUCT SPEC<br>-                | SIZE<br>A2  | CAGE CODE<br>00779 |
| MATERIAL<br>-   |  | APPLICATION SPEC<br>-            | DRAWING NO<br>G-1969572   | RESTRICTED TO<br>- |
|   |  | WEIGHT<br>-                      | SCALE<br>4:1  | SHEET<br>2 OF 2    |
|   |  | Customer Drawing                 | REV<br>A  |                    |