



Chipsmall Limited consists of a professional team with an average of over 10 year of expertise in the distribution of electronic components. Based in Hongkong, we have already established firm and mutual-benefit business relationships with customers from,Europe,America and south Asia,supplying obsolete and hard-to-find components to meet their specific needs.

With the principle of “Quality Parts,Customers Priority,Honest Operation,and Considerate Service”,our business mainly focus on the distribution of electronic components. Line cards we deal with include Microchip,ALPS,ROHM,Xilinx,Pulse,ON,Everlight and Freescale. Main products comprise IC,Modules,Potentiometer,IC Socket,Relay,Connector.Our parts cover such applications as commercial,industrial, and automotives areas.

We are looking forward to setting up business relationship with you and hope to provide you with the best service and solution. Let us make a better world for our industry!



Contact us

Tel: +86-755-8981 8866 Fax: +86-755-8427 6832

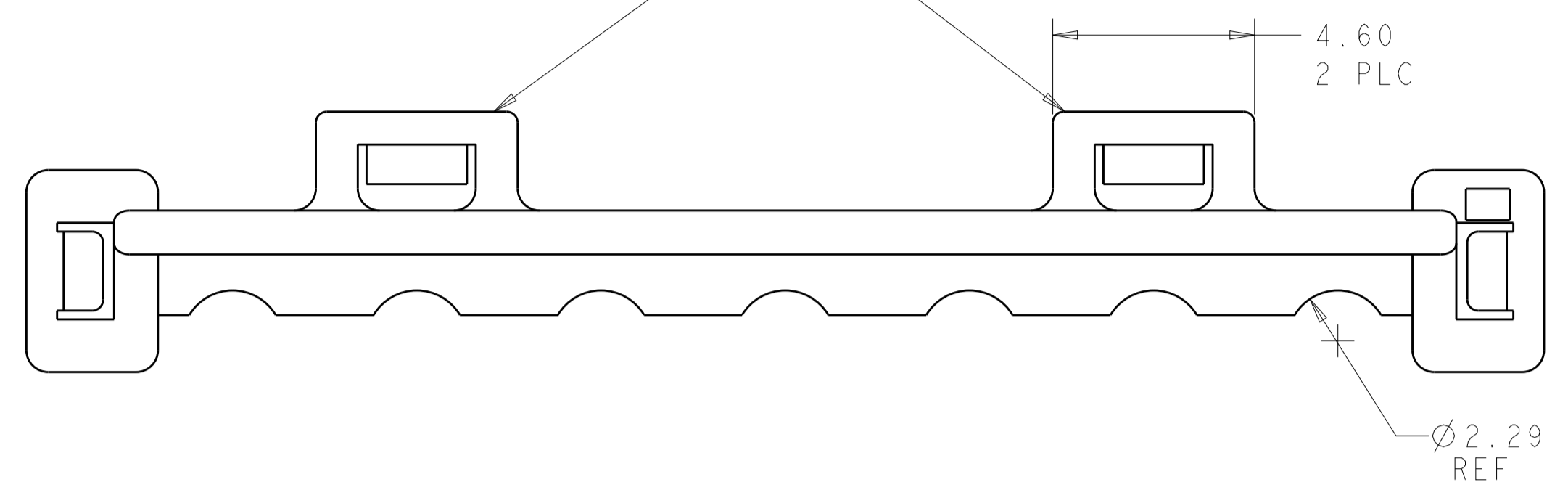
Email & Skype: info@chipsmall.com Web: www.chipsmall.com

Address: A1208, Overseas Decoration Building, #122 Zhenhua RD., Futian, Shenzhen, China

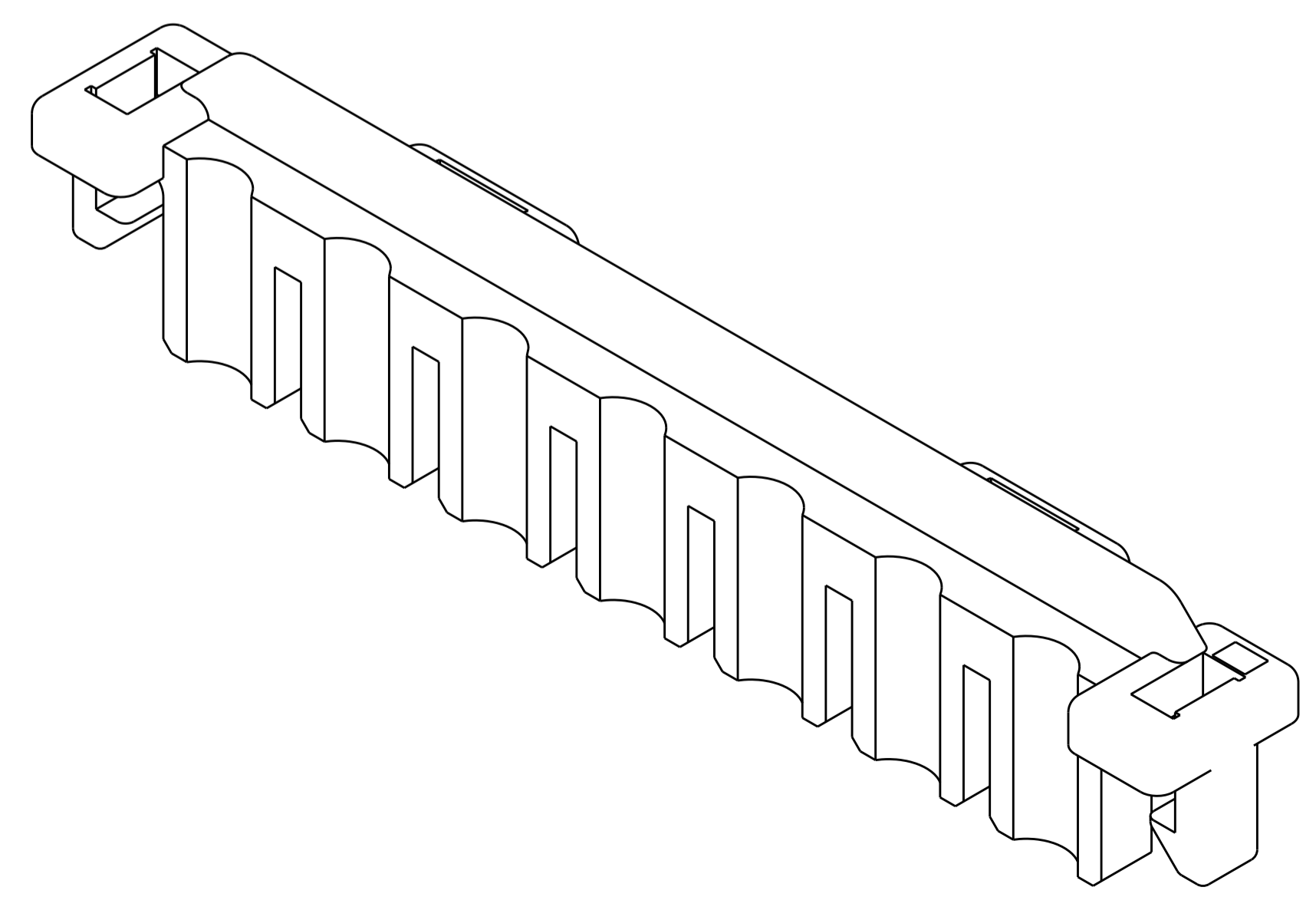
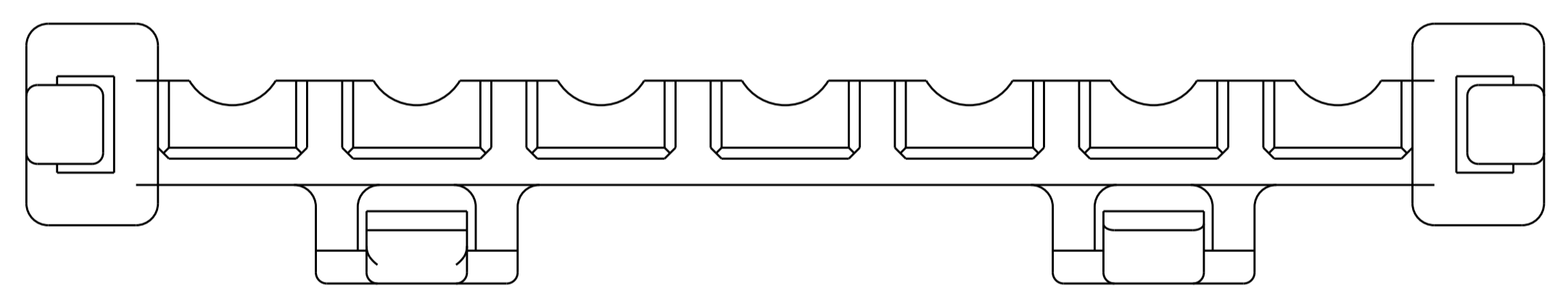
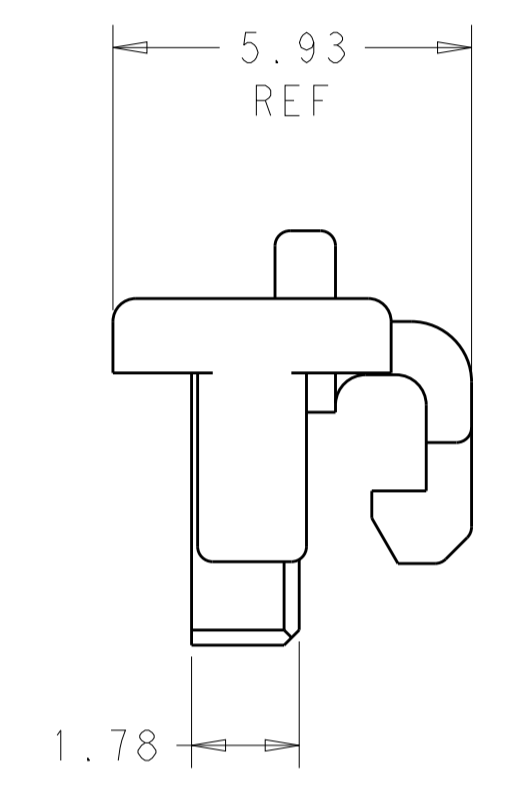
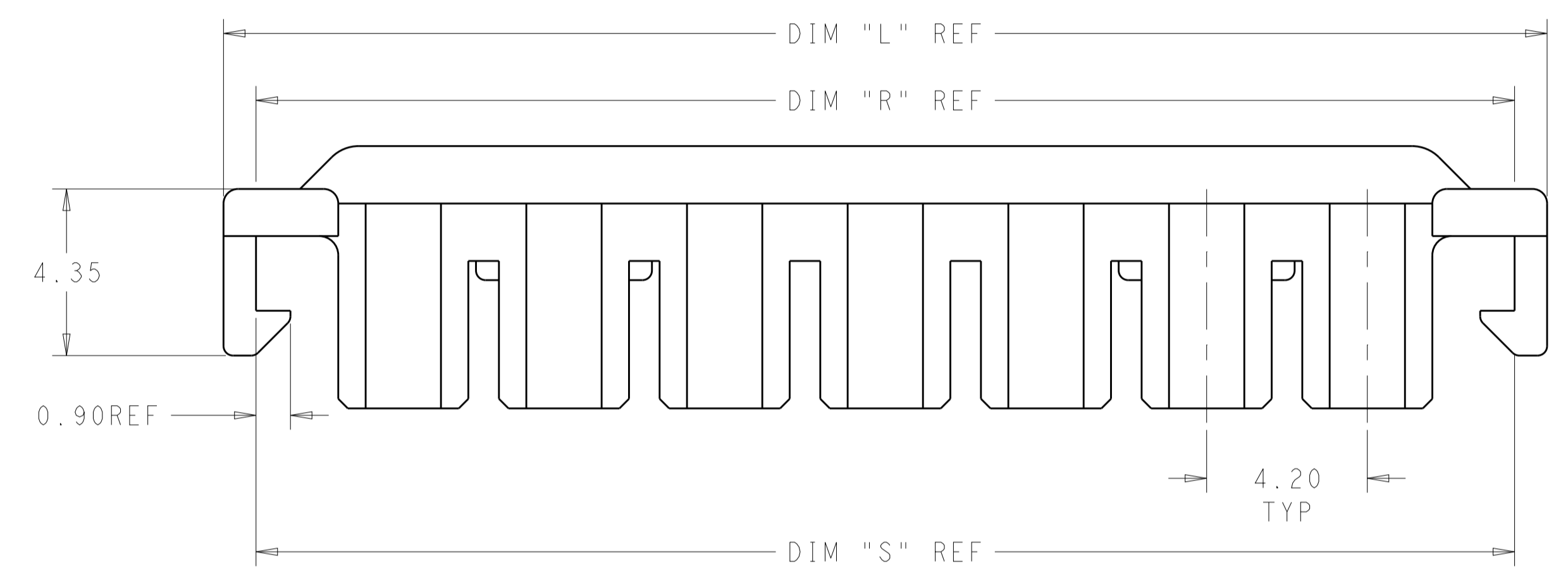
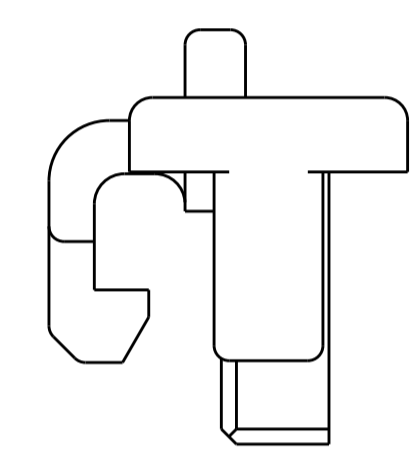


LOC		DIST		REVISIONS			
AF	-	P	LTN	DESCRIPTION	DATE	DWN	APVD
		A2		REVISED PER ECR-16-017699	12JAN2017	JJ	DZ

TOP LATCHES NOT PRESENT FOR POSITIONS 1-5



1. USE WITH VAL-U-LOK HOUSINGS.
 2. FOR USE WITH #26-#22 AWG LEAD WIRE WITH INSULATION DIA 2.03-2.16MM AND INSULATION CRIMP HEIGHT OF 2.54 MIN.
- 3 SIDE LATCHES ONLY, NO TOP LATCHES FOR POSITIONS 1-5



1969609-7 SHOWN HERE

53.94	53.90	55.60	12	1-1969609-2
49.74	49.70	51.40	11	1-1969609-1
45.54	45.50	47.20	10	1-1969609-0
41.34	41.30	43.00	9	1969609-9
37.14	37.10	38.80	8	1969609-8
32.94	32.90	34.60	7	1969609-7
28.74	28.70	30.40	6	1969609-6
24.54	24.50	26.20	5	1969609-5
20.34	20.30	22.00	4	1969609-4
16.14	16.10	17.80	3	1969609-3
11.94	11.90	13.60	2	1969609-2
7.74	7.70	9.40	1	1969609-1
DIM S	DIM R	DIM L	# OF POS	PART NO.

THIS DRAWING IS A CONTROLLED DOCUMENT. DWN S. EDWARDS 08JAN2013
 CHK KURT RANDOLPH 08JAN13
 APVD KURT RANDOLPH 08JAN13

STE TE Connectivity

DIMENSIONS: mm
 TOLERANCES UNLESS OTHERWISE SPECIFIED:
 0 PLC ±.3
 1 PLC ±0.3
 2 PLC ±0.1
 3 PLC ±0.001
 4 PLC ±0.0001
 ANGLES ±.1

MATERIAL: NYLON 6/6
 FINISH: COLOR: RED

PRODUCT SPEC: HOUSING, TPA, VAL-U-LOK
 APPLICATION SPEC: -

SIZE: A1
 CAGE CODE: 100779
 DRAWING NO: 1969609
 WEIGHT: -
 RESTRICTED TO: -

Customer Drawing SCALE: 8:1 SHEET 1 OF 1 REV: A2