



Chipsmall Limited consists of a professional team with an average of over 10 year of expertise in the distribution of electronic components. Based in Hongkong, we have already established firm and mutual-benefit business relationships with customers from,Europe,America and south Asia,supplying obsolete and hard-to-find components to meet their specific needs.

With the principle of “Quality Parts,Customers Priority,Honest Operation,and Considerate Service”,our business mainly focus on the distribution of electronic components. Line cards we deal with include Microchip,ALPS,ROHM,Xilinx,Pulse,ON,Everlight and Freescale. Main products comprise IC,Modules,Potentiometer,IC Socket,Relay,Connector.Our parts cover such applications as commercial,industrial, and automotives areas.

We are looking forward to setting up business relationship with you and hope to provide you with the best service and solution. Let us make a better world for our industry!



Contact us

Tel: +86-755-8981 8866 Fax: +86-755-8427 6832

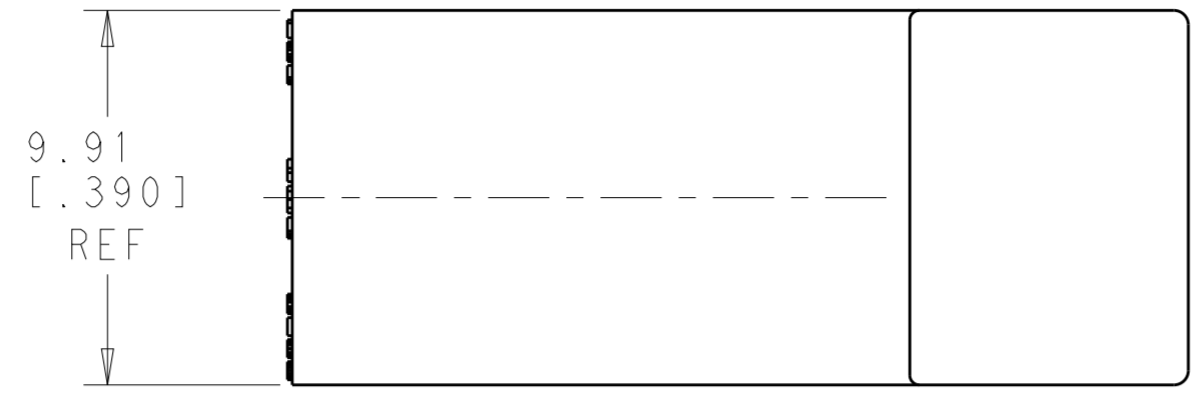
Email & Skype: info@chipsmall.com Web: www.chipsmall.com

Address: A1208, Overseas Decoration Building, #122 Zhenhua RD., Futian, Shenzhen, China

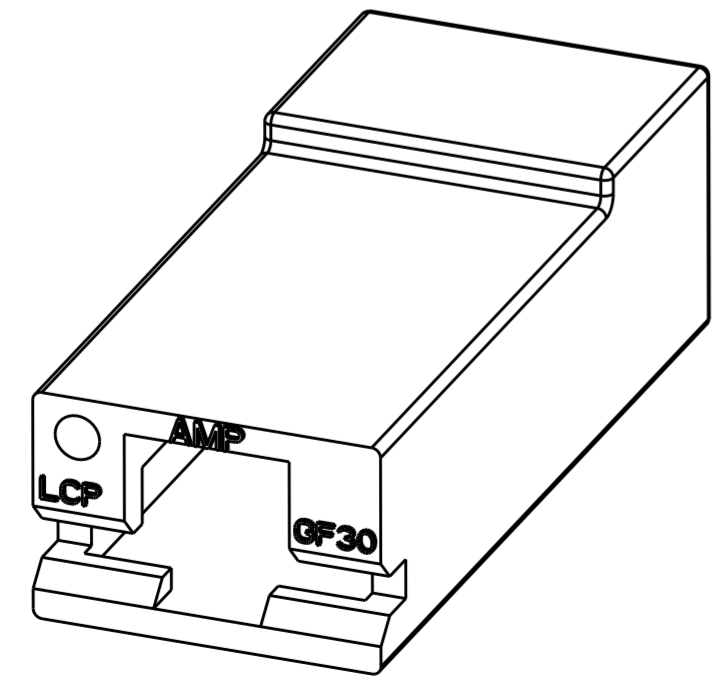
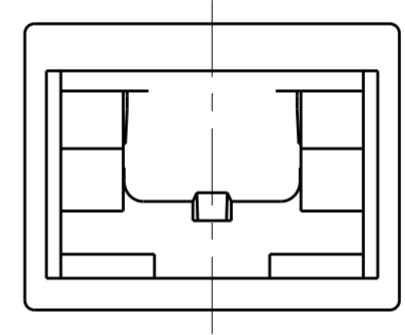
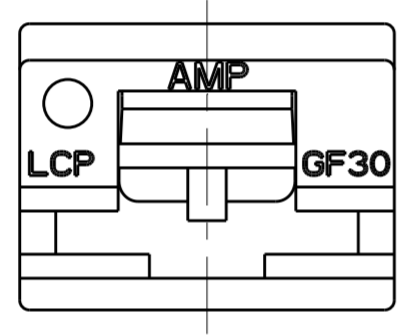
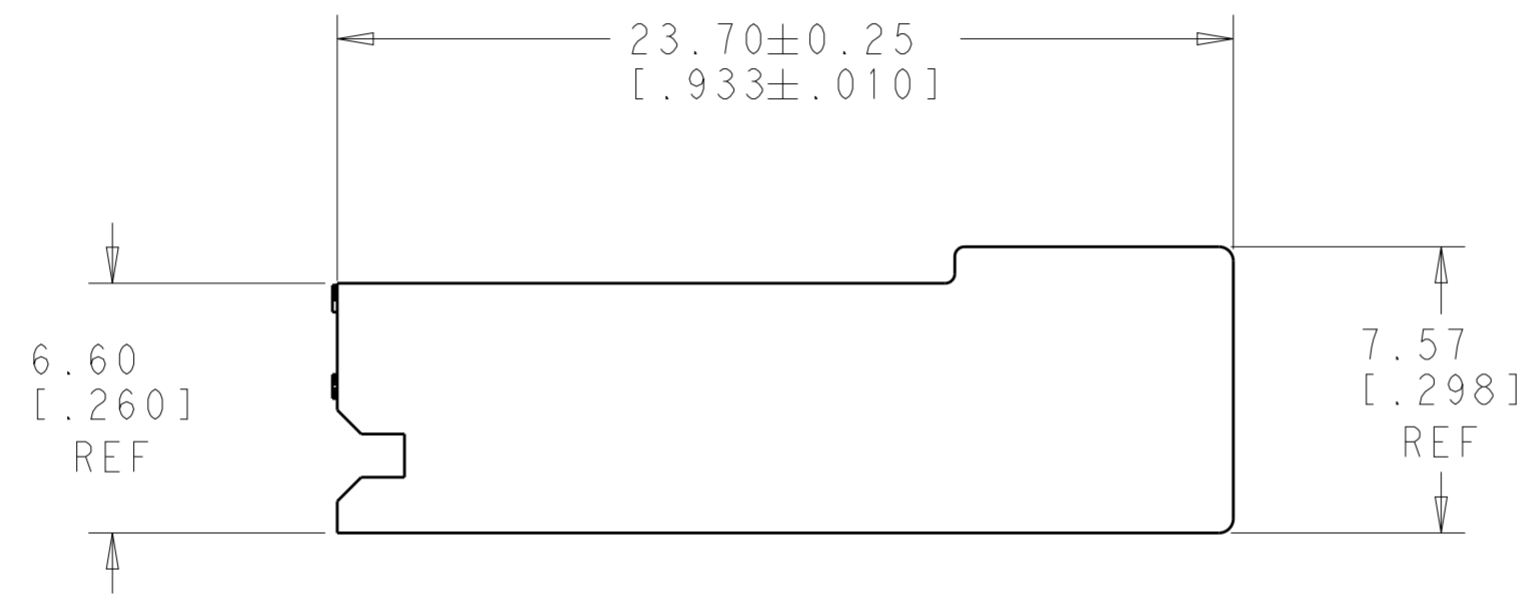


THIS DRAWING IS UNPUBLISHED. RELEASED FOR PUBLICATION 20
 © COPYRIGHT 20 BY - ALL RIGHTS RESERVED.

LOC	DIST	REVISIONS			
P	LTR	DESCRIPTION	DATE	DWN	APVD
AF	50	B	RELEASED PER ECO-14-014704	06OCT14	JR DH



1 ACCEPTS NICKEL PLATED STEEL RECPTACLE 1742198-1



1969632-1
PART NO.

THIS DRAWING IS A CONTROLLED DOCUMENT.		DWN JR RUTH 15MAY13	TE Connectivity	
DIMENSIONS: mm [INCHES]		CHK PETE DESANTIS 15MAY13		
TOLERANCES UNLESS OTHERWISE SPECIFIED:		APVD PETE DESANTIS 15MAY13	NAME HOUSING, RECEPTACLE, FASTON, .250 SERIES,	
0 PLC ± 1 PLC ± 2 PLC ±0.25 [.010] 3 PLC ± 4 PLC ± ANGLES ±1		PRODUCT SPEC -	SIZE A200779	
MATERIAL LCP 200C		APPLICATION SPEC -	DRAWING NO C-1969632	
FINISH COLOR-BLACK		WEIGHT -	RESTRICTED TO -	
		Customer Drawing		SCALE 5:1 SHEET 1 OF 1 REV B