



Chipsmall Limited consists of a professional team with an average of over 10 year of expertise in the distribution of electronic components. Based in Hongkong, we have already established firm and mutual-benefit business relationships with customers from,Europe,America and south Asia,supplying obsolete and hard-to-find components to meet their specific needs.

With the principle of “Quality Parts,Customers Priority,Honest Operation,and Considerate Service”,our business mainly focus on the distribution of electronic components. Line cards we deal with include Microchip,ALPS,ROHM,Xilinx,Pulse,ON,Everlight and Freescale. Main products comprise IC,Modules,Potentiometer,IC Socket,Relay,Connector.Our parts cover such applications as commercial,industrial, and automotives areas.

We are looking forward to setting up business relationship with you and hope to provide you with the best service and solution. Let us make a better world for our industry!



Contact us

Tel: +86-755-8981 8866 Fax: +86-755-8427 6832

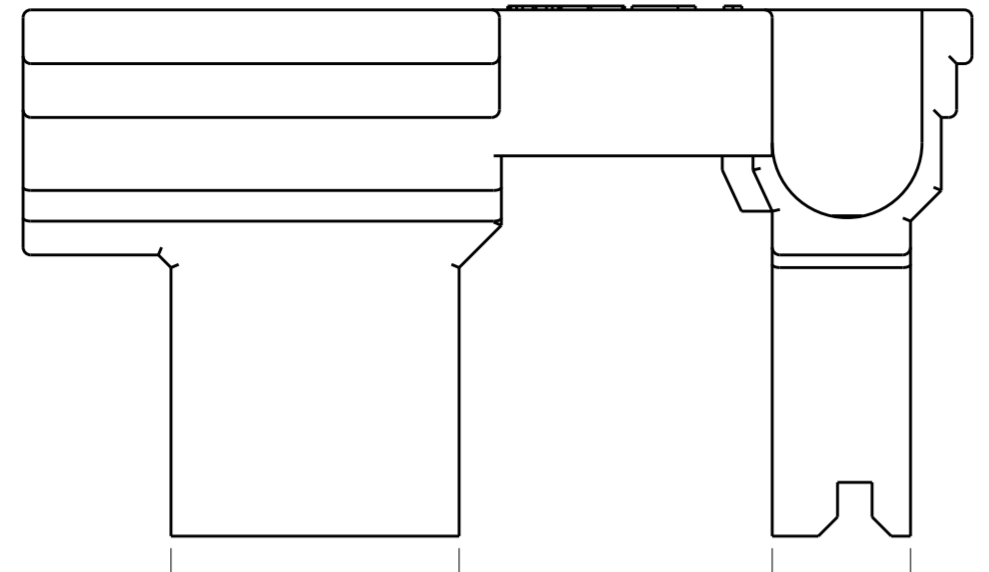
Email & Skype: info@chipsmall.com Web: www.chipsmall.com

Address: A1208, Overseas Decoration Building, #122 Zhenhua RD., Futian, Shenzhen, China



THIS DRAWING IS UNPUBLISHED. RELEASED FOR PUBLICATION 20
 © COPYRIGHT 20 BY - ALL RIGHTS RESERVED.

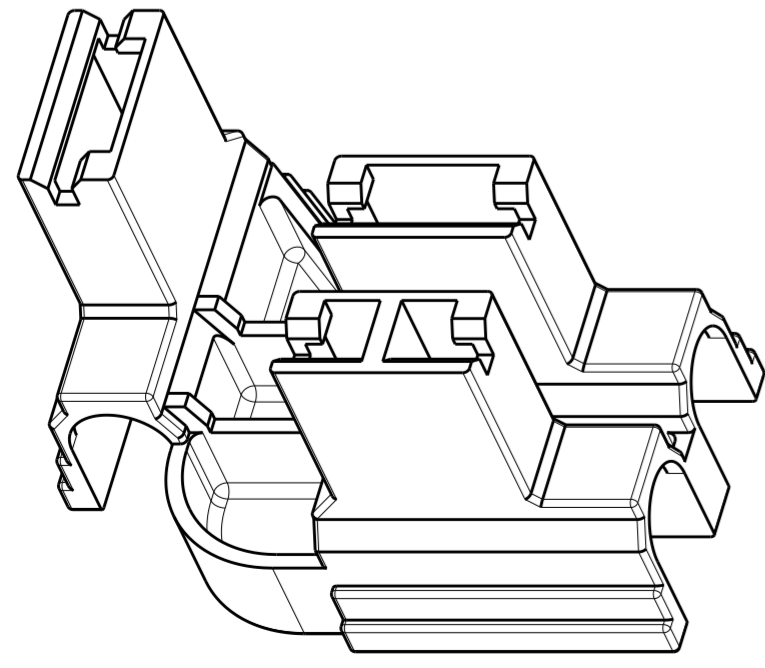
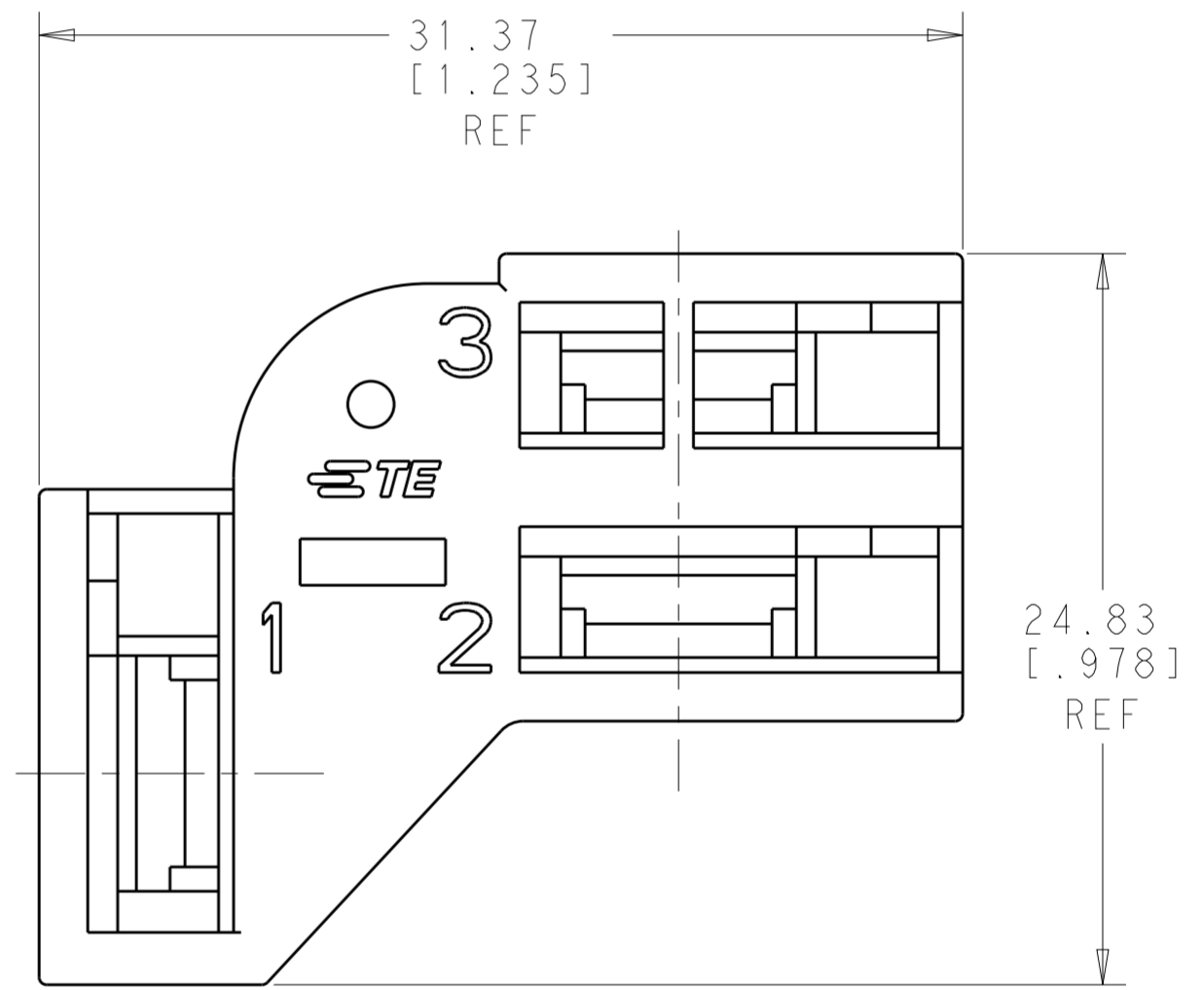
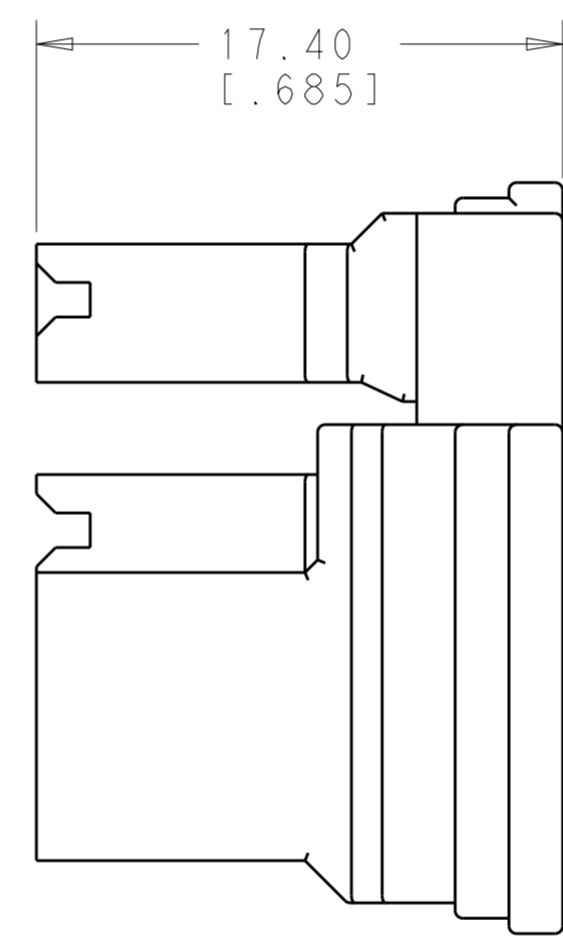
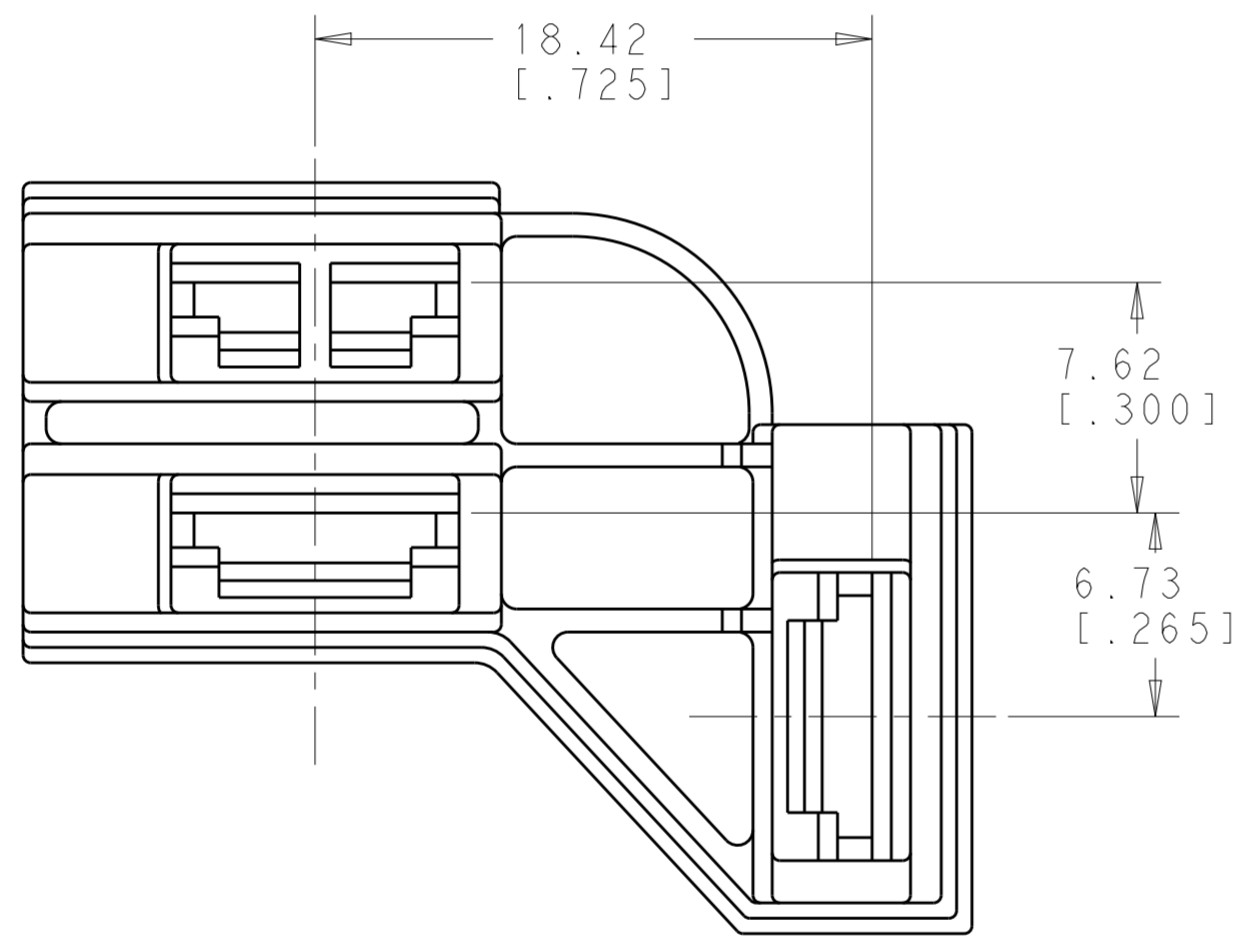
REVISIONS				
P	LTR	DESCRIPTION	DATE	APVD
	A3	REVISED PER ECR-18-005844	17APR2018	RS DS



- 1 THIS PART ACCEPTS TERMINAL 63009 OR 63963 18-14 GAUGE WIRE.
- 2 FOR PROPER ENGAGEMENT THE MATING TAB MUST HAVE A MIN OF .315 USEABLE LENGTH.
- △ PRELIMINARY PART NUMBER. NOT RELEASED FOR PRODUCTION

9.53
[.375]

4.57
[.180]



SCALE 3:1

NATURAL	66 Nylon V0 Natural	1-1969706-1
-	-	△ 1969706-2
-	-	1969706-1
COLOR	MATERIAL	PART NO.

THIS DRAWING IS A CONTROLLED DOCUMENT.		DWN JR RUTH 17OCT14	STE TE Connectivity	
DIMENSIONS: mm [INCHES]		CHK DAVE HUMPHREY 17OCT14		
TOLERANCES UNLESS OTHERWISE SPECIFIED:		APVD DAVE HUMPHREY 17OCT14	NAME HOUSING, RECEPTACLE, FLAG FASTON, 6.35 [.250] SERIES, 2 POSITION	
0 PLC ±	1 PLC ±	PRODUCT SPEC	SIZE CAGE CODE DRAWING NO RESTRICTED TO	
2 PLC ±0.25 [.010]	3 PLC ±	APPLICATION SPEC	A200779 C-1969706	
4 PLC ±	ANGLES ±	WEIGHT	SCALE 4:1 SHEET 1 OF 1 REV A3	
MATERIAL NYLON, V0 NO DRIP	FINISH COLOR-BLACK	Customer Drawing		