



Chipsmall Limited consists of a professional team with an average of over 10 year of expertise in the distribution of electronic components. Based in Hongkong, we have already established firm and mutual-benefit business relationships with customers from,Europe,America and south Asia,supplying obsolete and hard-to-find components to meet their specific needs.

With the principle of “Quality Parts,Customers Priority,Honest Operation,and Considerate Service”,our business mainly focus on the distribution of electronic components. Line cards we deal with include Microchip,ALPS,ROHM,Xilinx,Pulse,ON,Everlight and Freescale. Main products comprise IC,Modules,Potentiometer,IC Socket,Relay,Connector.Our parts cover such applications as commercial,industrial, and automotives areas.

We are looking forward to setting up business relationship with you and hope to provide you with the best service and solution. Let us make a better world for our industry!



Contact us

Tel: +86-755-8981 8866 Fax: +86-755-8427 6832

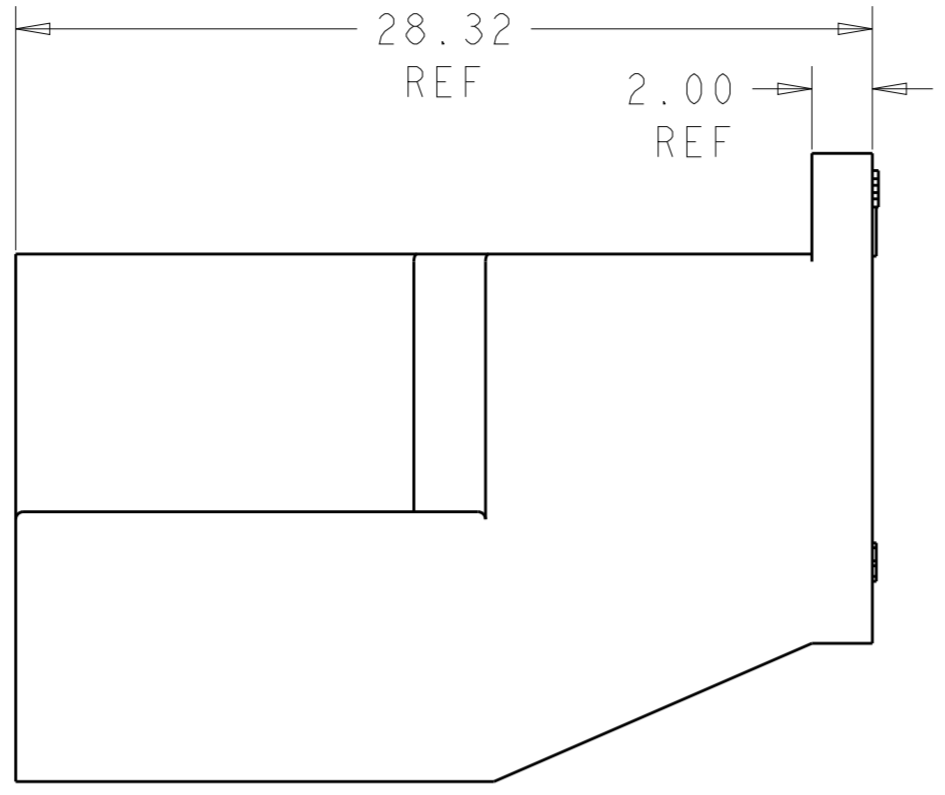
Email & Skype: info@chipsmall.com Web: www.chipsmall.com

Address: A1208, Overseas Decoration Building, #122 Zhenhua RD., Futian, Shenzhen, China



THIS DRAWING IS UNPUBLISHED. RELEASED FOR PUBLICATION 20
 © COPYRIGHT 20 BY - ALL RIGHTS RESERVED.

LOC		DIST		REVISIONS			
P	LTR	DESCRIPTION	DATE	DWN	APVD		
		C3	REVISED PER ECO-16-013983	26SEP2016	RS	DH	

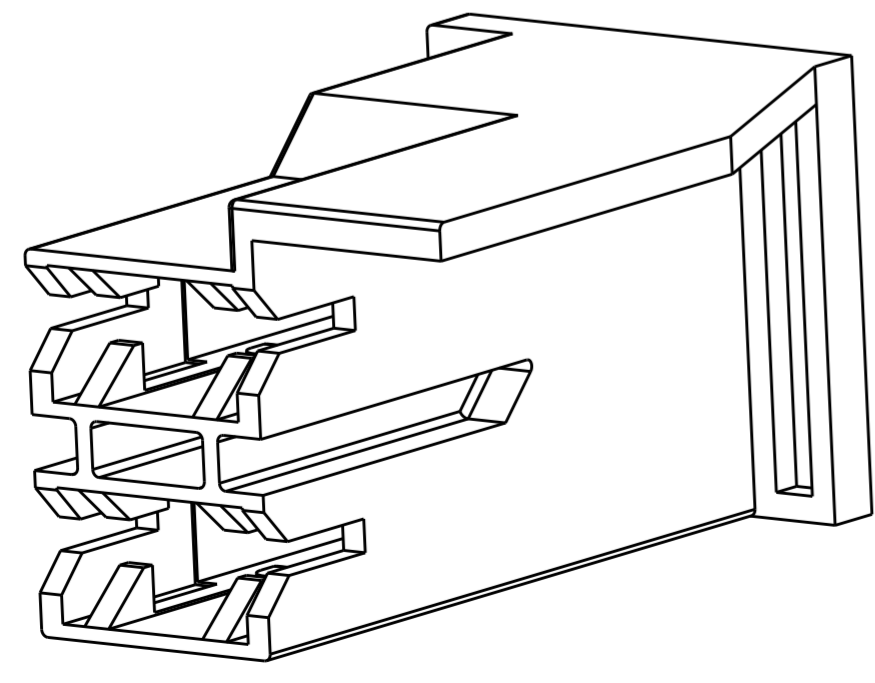
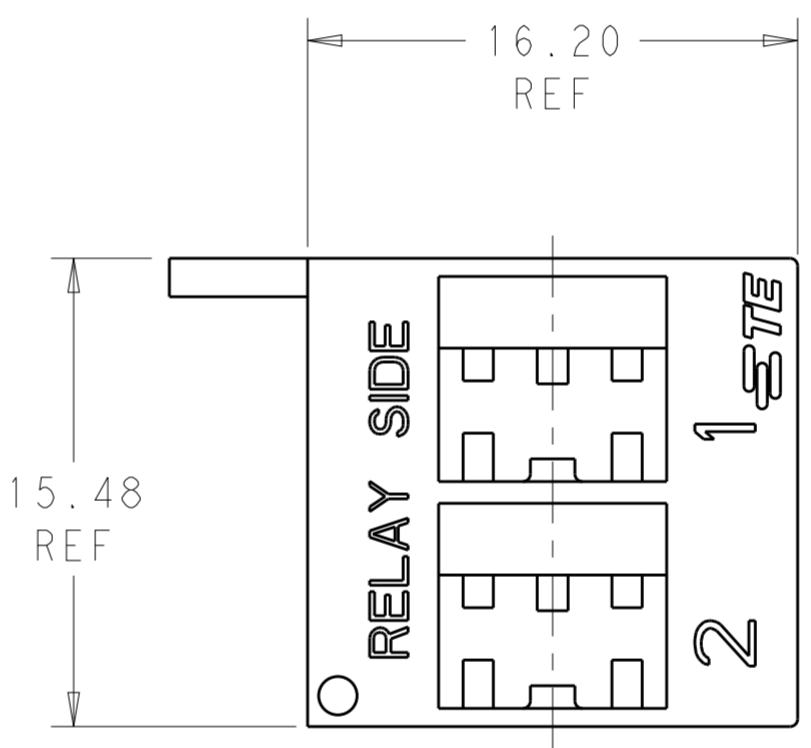
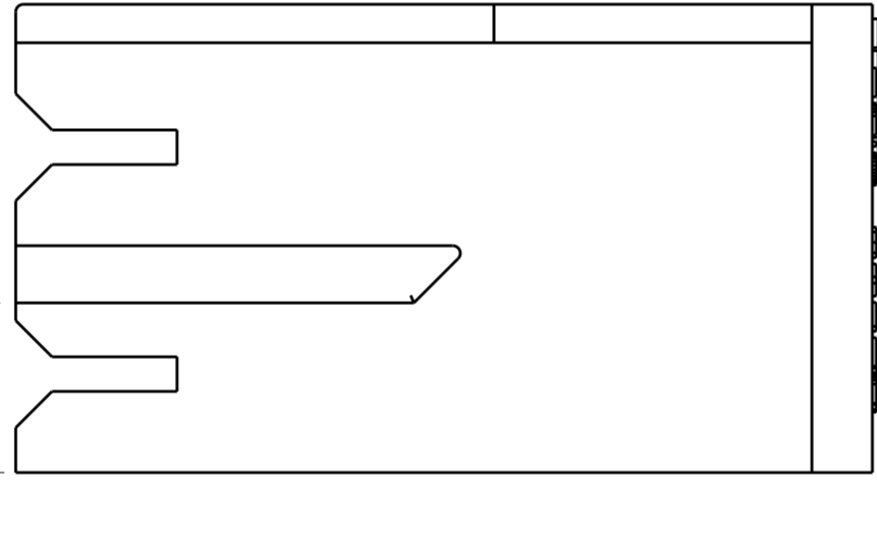
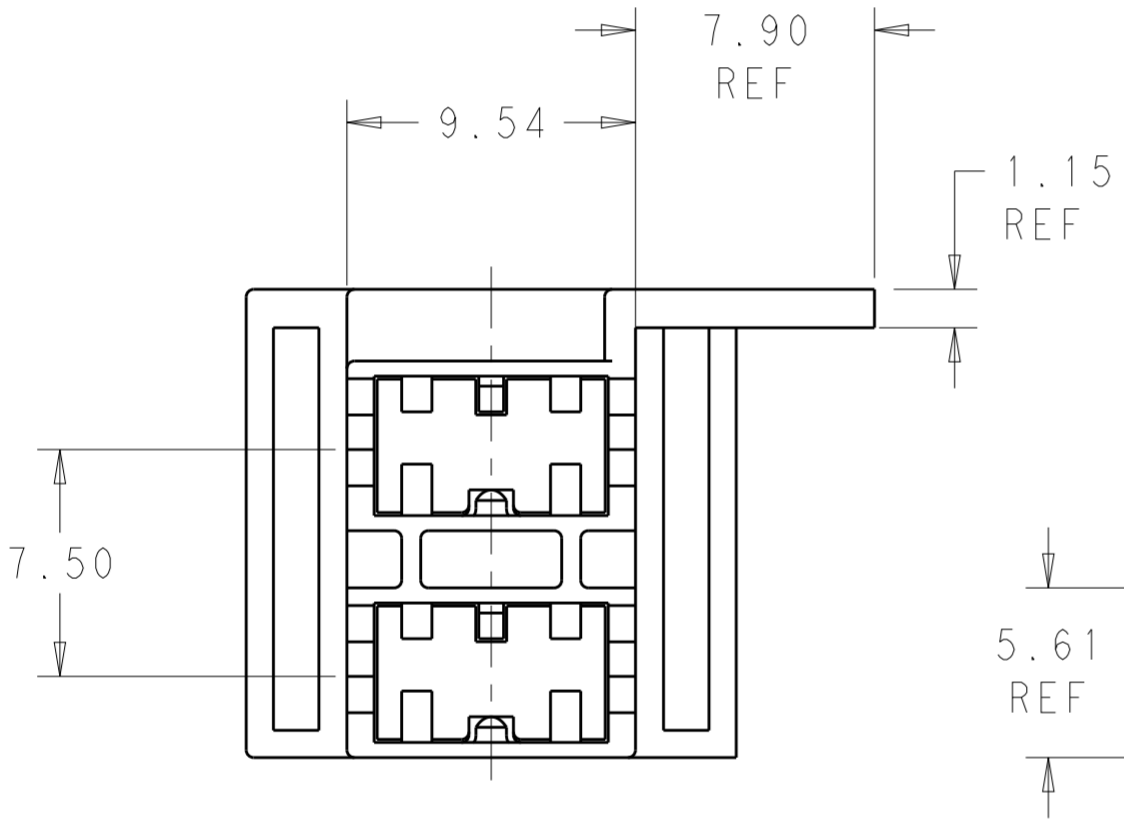


1 ACCEPTS RECEPTACLE CONTACTS 1-160759-1 (20-16) AWG, 154718-3 (18-14) AWG, 154717-3 (14-11) AWG.

~~2 PREPRODUCTION ONLY - FASR REQUIRED.~~

3 DUE TO LIGHT PIGMENTATION, THE PARTS MAY HAVE SOME COLOR VARIATION/MARBLING.

4 PRELIMINARY- NOT FOR PRODUCTION



BLACK	1969717-6
NATURAL	1969717-5
GREEN ³	⁴ 1969717-4
YELLOW ³	1969717-3
COLOR	PART NO.

THIS DRAWING IS A CONTROLLED DOCUMENT.		DWN B WAYNE 15JAN15	TE Connectivity	
DIMENSIONS: mm		CHK DAVE HUMPHREY 15JAN15		
TOLERANCES UNLESS OTHERWISE SPECIFIED:		APVD DAVE HUMPHREY 15JAN15	NAME HOUSING, RECEPTACLE, POSI-LOCK, 2 POSITION, 6.35 SERIES	
0 PLC ±		PRODUCT SPEC	SIZE CAGE CODE DRAWING NO RESTRICTED TO	
1 PLC ±		APPLICATION SPEC	A200779 C-1969717	
2 PLC ±0.25		WEIGHT	SCALE 4:1 SHEET 1 OF 1 REV C3	
3 PLC ±		CUSTOMER DRAWING		
4 PLC ±				
ANGLES ±				
FINISH				
MATERIAL 6/6 NYLON, V0		SEE TABLE		