



Chipsmall Limited consists of a professional team with an average of over 10 year of expertise in the distribution of electronic components. Based in Hongkong, we have already established firm and mutual-benefit business relationships with customers from,Europe,America and south Asia,supplying obsolete and hard-to-find components to meet their specific needs.

With the principle of “Quality Parts,Customers Priority,Honest Operation,and Considerate Service”,our business mainly focus on the distribution of electronic components. Line cards we deal with include Microchip,ALPS,ROHM,Xilinx,Pulse,ON,Everlight and Freescale. Main products comprise IC,Modules,Potentiometer,IC Socket,Relay,Connector.Our parts cover such applications as commercial,industrial, and automotives areas.

We are looking forward to setting up business relationship with you and hope to provide you with the best service and solution. Let us make a better world for our industry!



Contact us

Tel: +86-755-8981 8866 Fax: +86-755-8427 6832

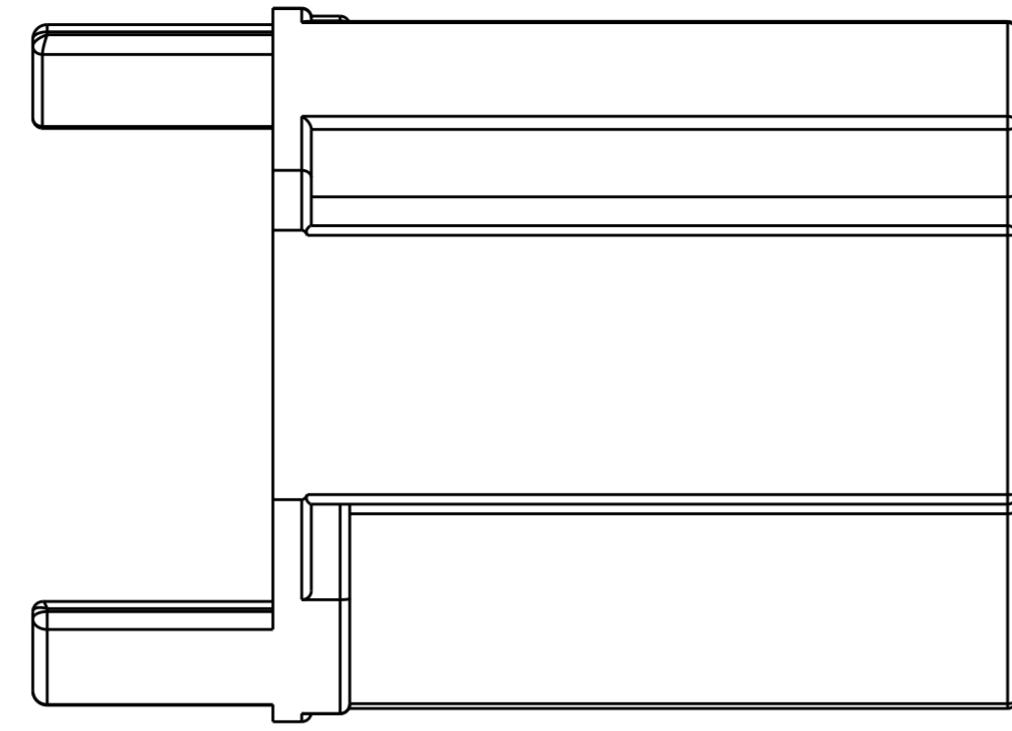
Email & Skype: info@chipsmall.com Web: www.chipsmall.com

Address: A1208, Overseas Decoration Building, #122 Zhenhua RD., Futian, Shenzhen, China

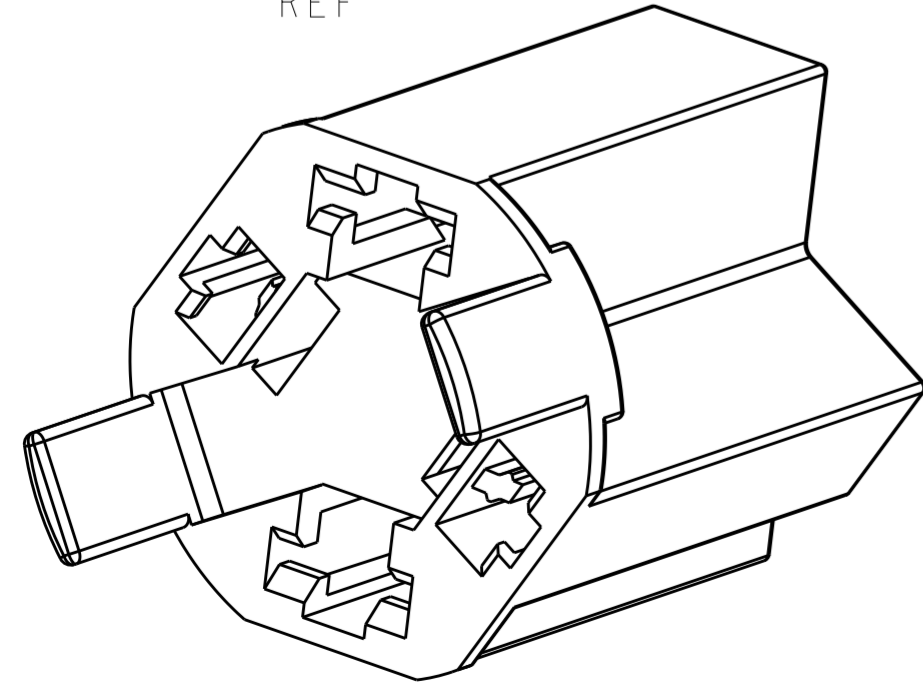
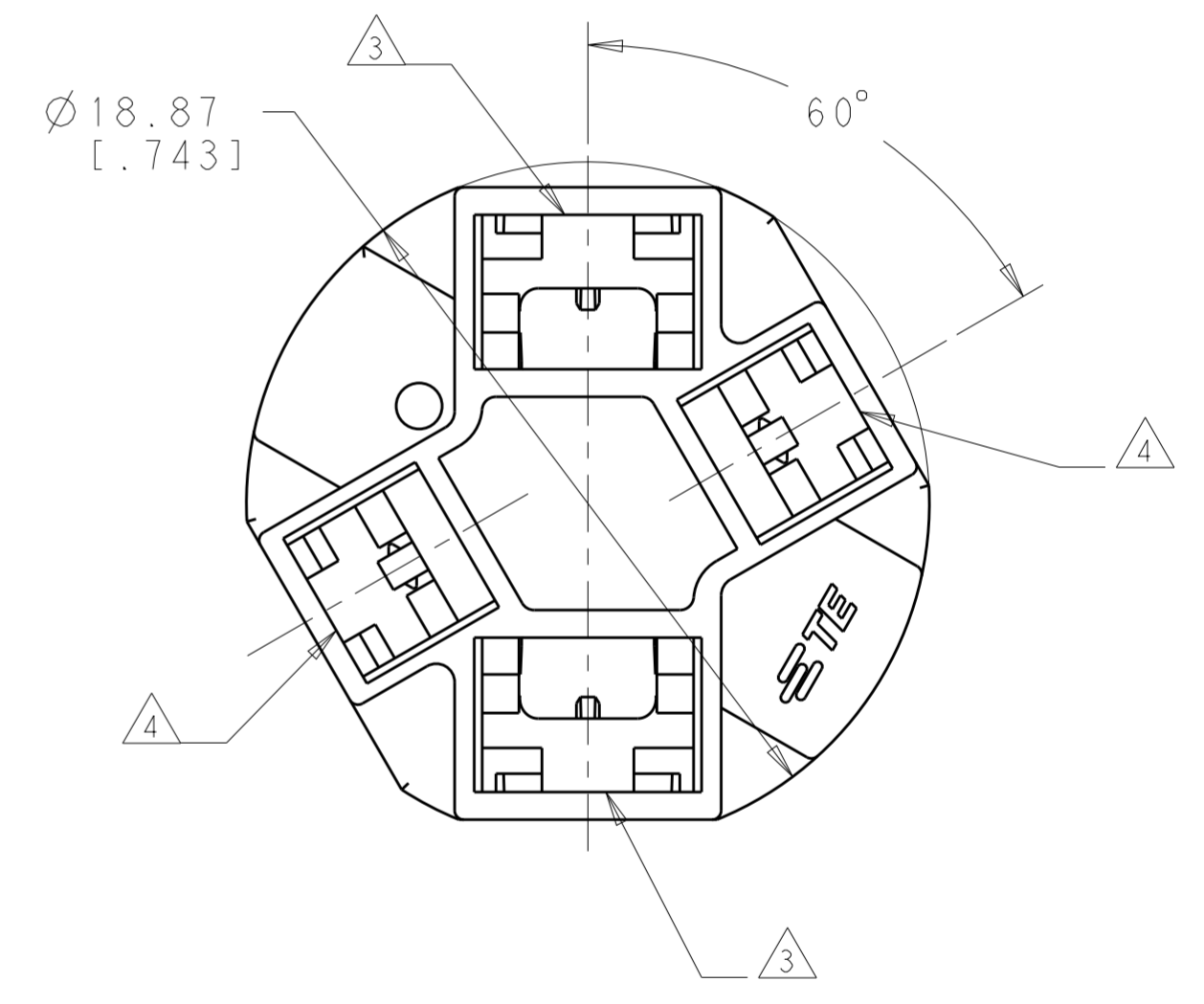
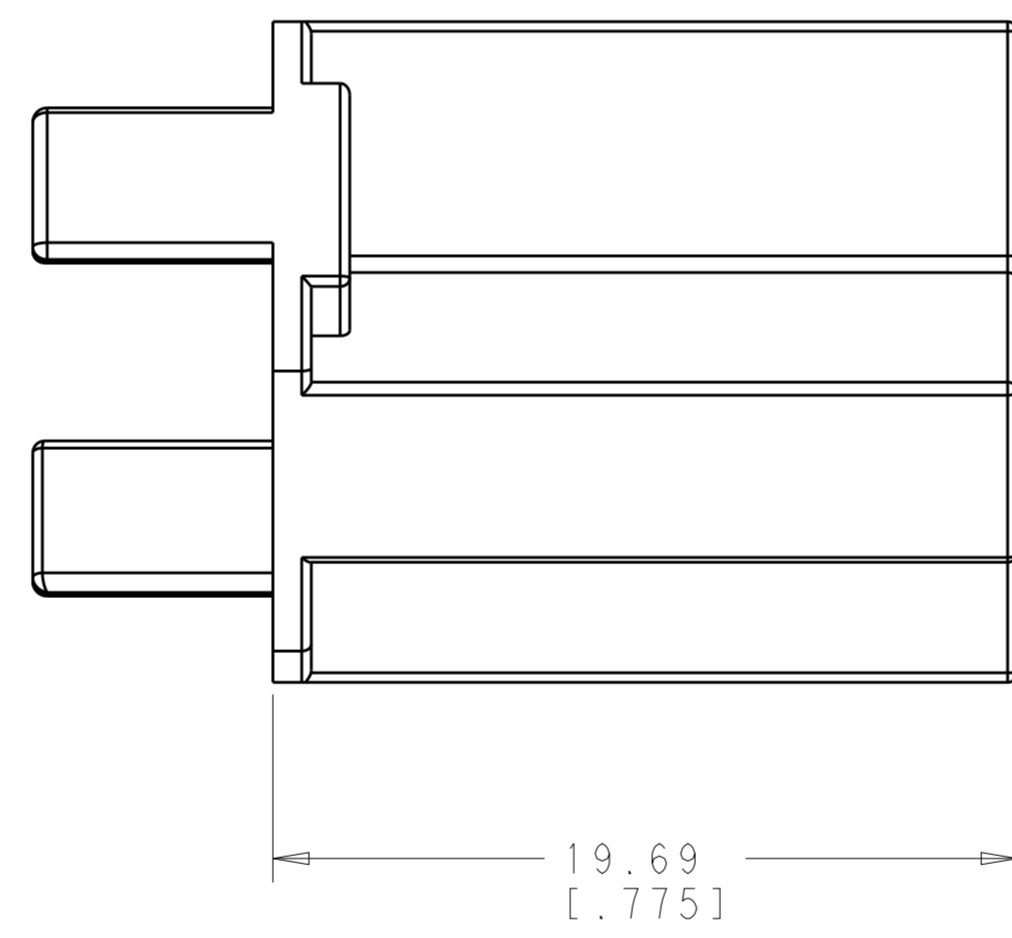
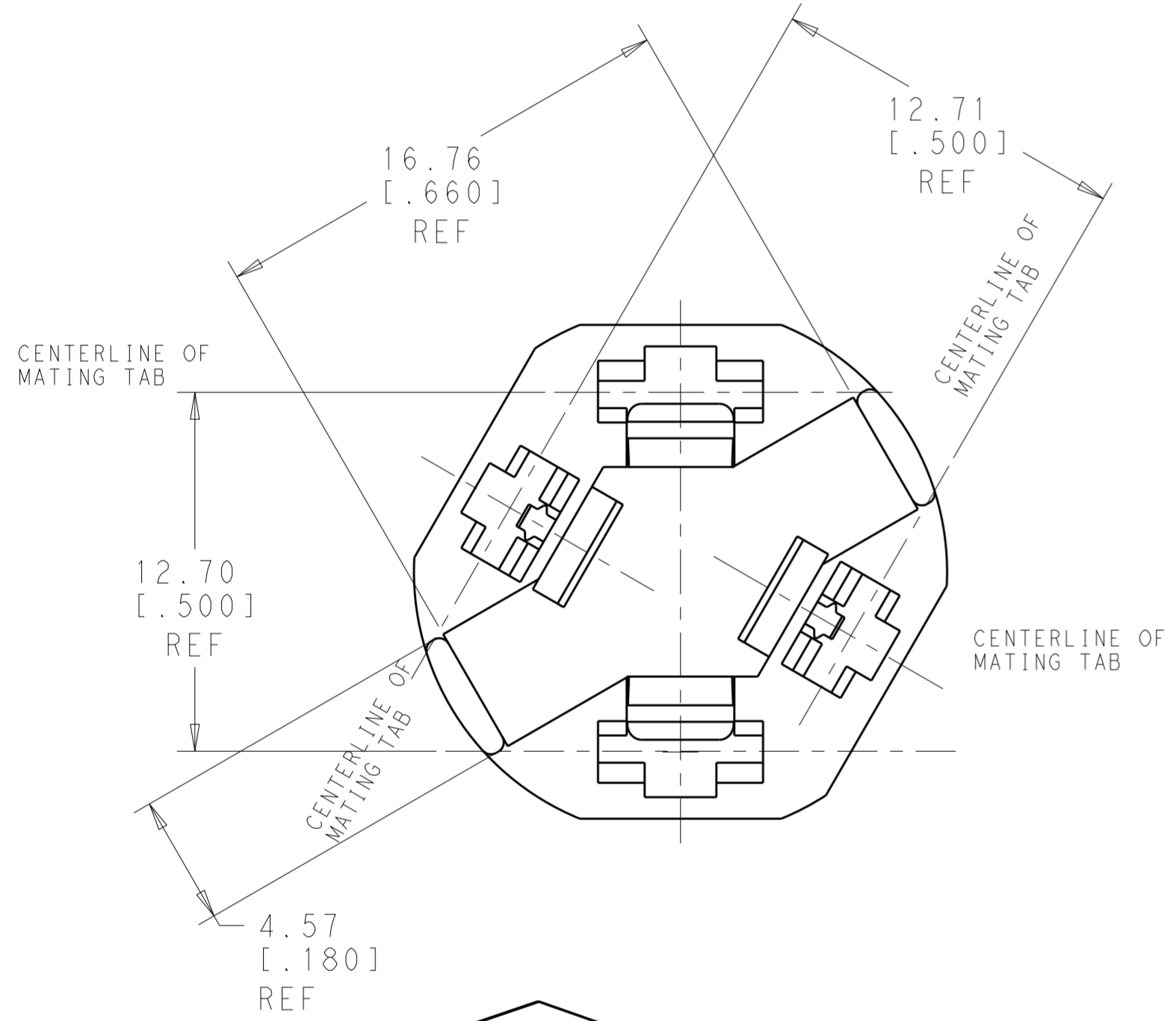


THIS DRAWING IS UNPUBLISHED. RELEASED FOR PUBLICATION 20
 © COPYRIGHT 20 BY - ALL RIGHTS RESERVED.

REVISIONS					
P	LTR	DESCRIPTION	DATE	DWN	APVD
A		REVISED PER ECR-15-016687	10OCT15	L.P	T.D
A2		REVISED PER ECR-16-014132	05OCT2016	MD	MD



- 1 TO ENSURE PROPER MATING OF RECEPTACLE TO TAB, TAB LENGTH ON PLUNGER SWITCH SHOULD BE A MINIMUM OF 8.25 [.325].
- 2 MATERIAL IS UL94 V0 AND 150°C RATED.
- 3 ACCEPTS .187 SERIES BUDGET FASTON STRAIGHT RECEPTACLES SUCH AS P/N 63477-X
- 4 ACCEPTS .110 SERIES POSITIVE-LOCK MARK III STRAIGHT RECEPTACLES FOR .032" THK TAB, P/N 1742975-1.



SCALE 4:1

1969725-1
 PART NO.

THIS DRAWING IS A CONTROLLED DOCUMENT.		DWN JR RUTH 11FEB15	TE Connectivity	
DIMENSIONS: mm [INCHES]		CHK DAVE HUMPHREY 11FEB15		
TOLERANCES UNLESS OTHERWISE SPECIFIED:		APVD DAVE HUMPHREY 11FEB15	NAME HOUSING, RECEPTACLE, 187 FASTON, WITH .110 POSI-LOCK, DOOR SWITCH	
0 PLC ±	1 PLC ±	PRODUCT SPEC	SIZE	CAGE CODE
2 PLC ±0.25 [.010]	3 PLC ±	APPLICATION SPEC	A2	00779
4 PLC ±	ANGLES ±	WEIGHT	DRAWING NO	RESTRICTED TO
MATERIAL 6/6 NYLON	FINISH COLOR-BLACK	CUSTOMER DRAWING	G-1969725	-
SCALE 5:1			SHEET 1 OF 1	REV A2