



Chipsmall Limited consists of a professional team with an average of over 10 year of expertise in the distribution of electronic components. Based in Hongkong, we have already established firm and mutual-benefit business relationships with customers from,Europe,America and south Asia,supplying obsolete and hard-to-find components to meet their specific needs.

With the principle of “Quality Parts,Customers Priority,Honest Operation,and Considerate Service”,our business mainly focus on the distribution of electronic components. Line cards we deal with include Microchip,ALPS,ROHM,Xilinx,Pulse,ON,Everlight and Freescale. Main products comprise IC,Modules,Potentiometer,IC Socket,Relay,Connector.Our parts cover such applications as commercial,industrial, and automotives areas.

We are looking forward to setting up business relationship with you and hope to provide you with the best service and solution. Let us make a better world for our industry!



Contact us

Tel: +86-755-8981 8866 Fax: +86-755-8427 6832

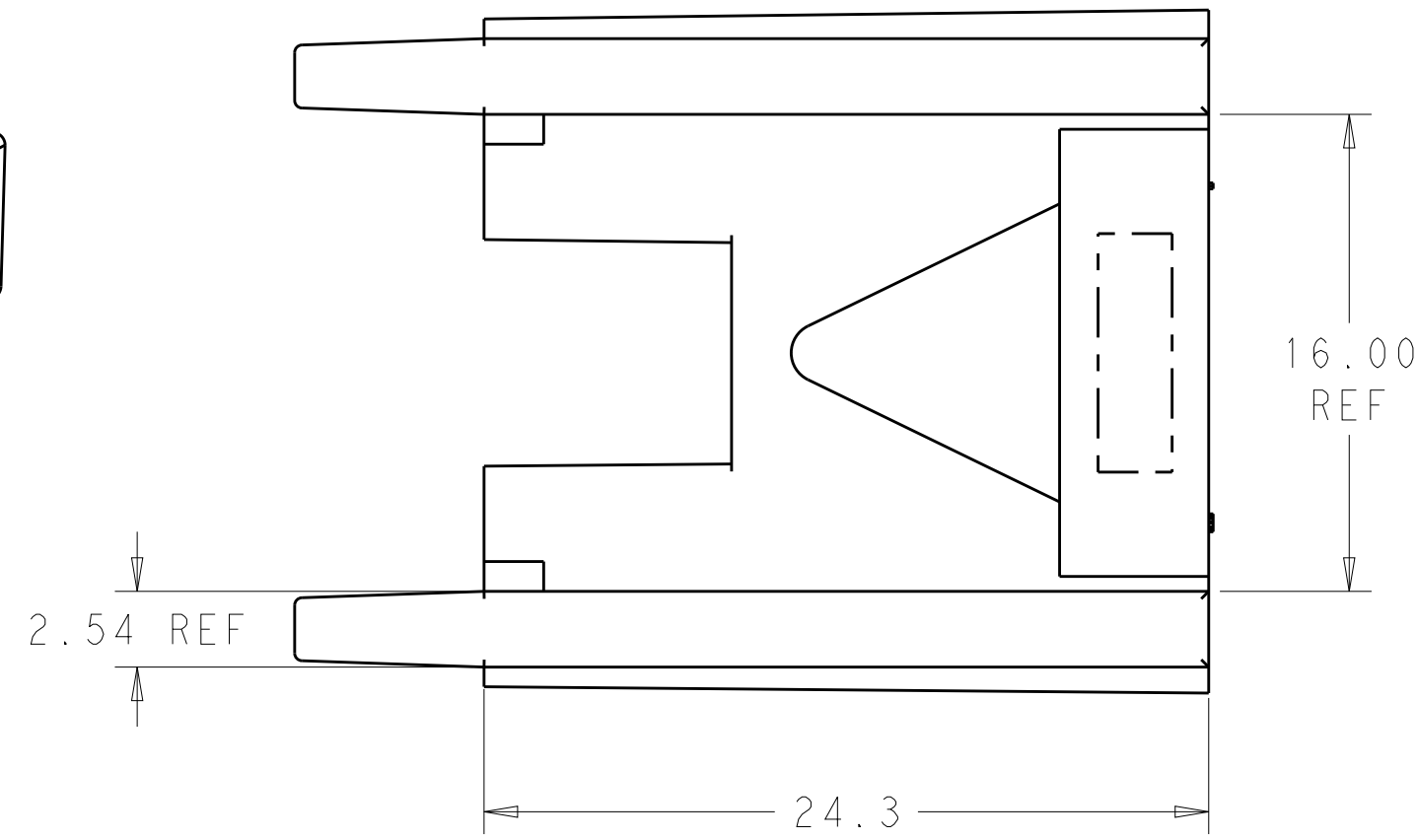
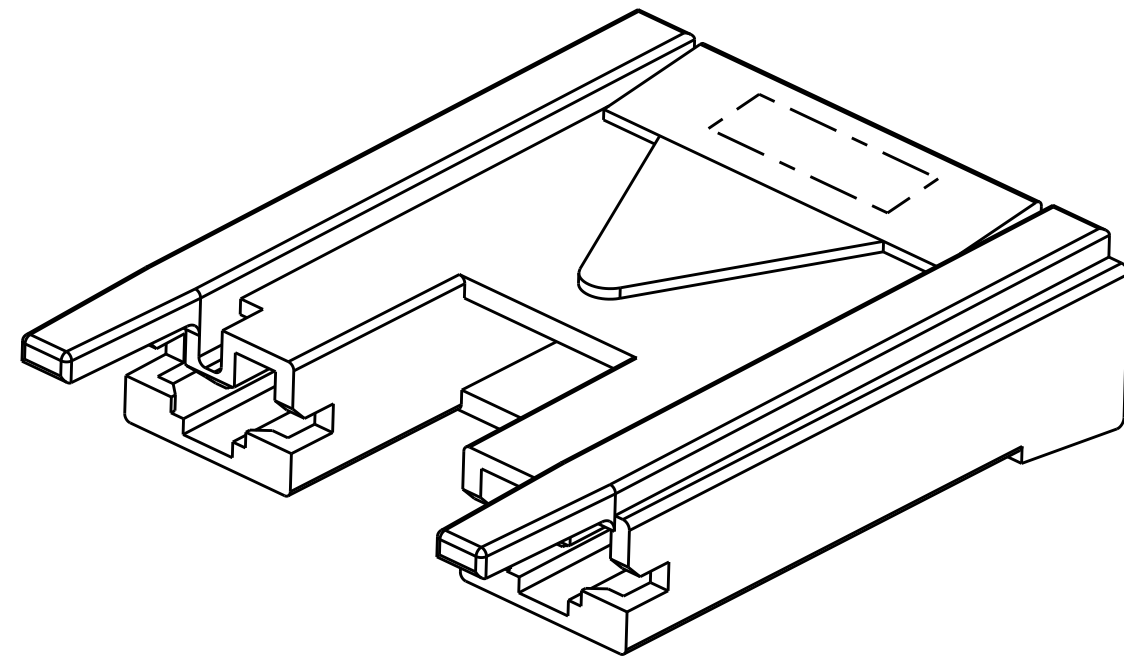
Email & Skype: info@chipsmall.com Web: www.chipsmall.com

Address: A1208, Overseas Decoration Building, #122 Zhenhua RD., Futian, Shenzhen, China

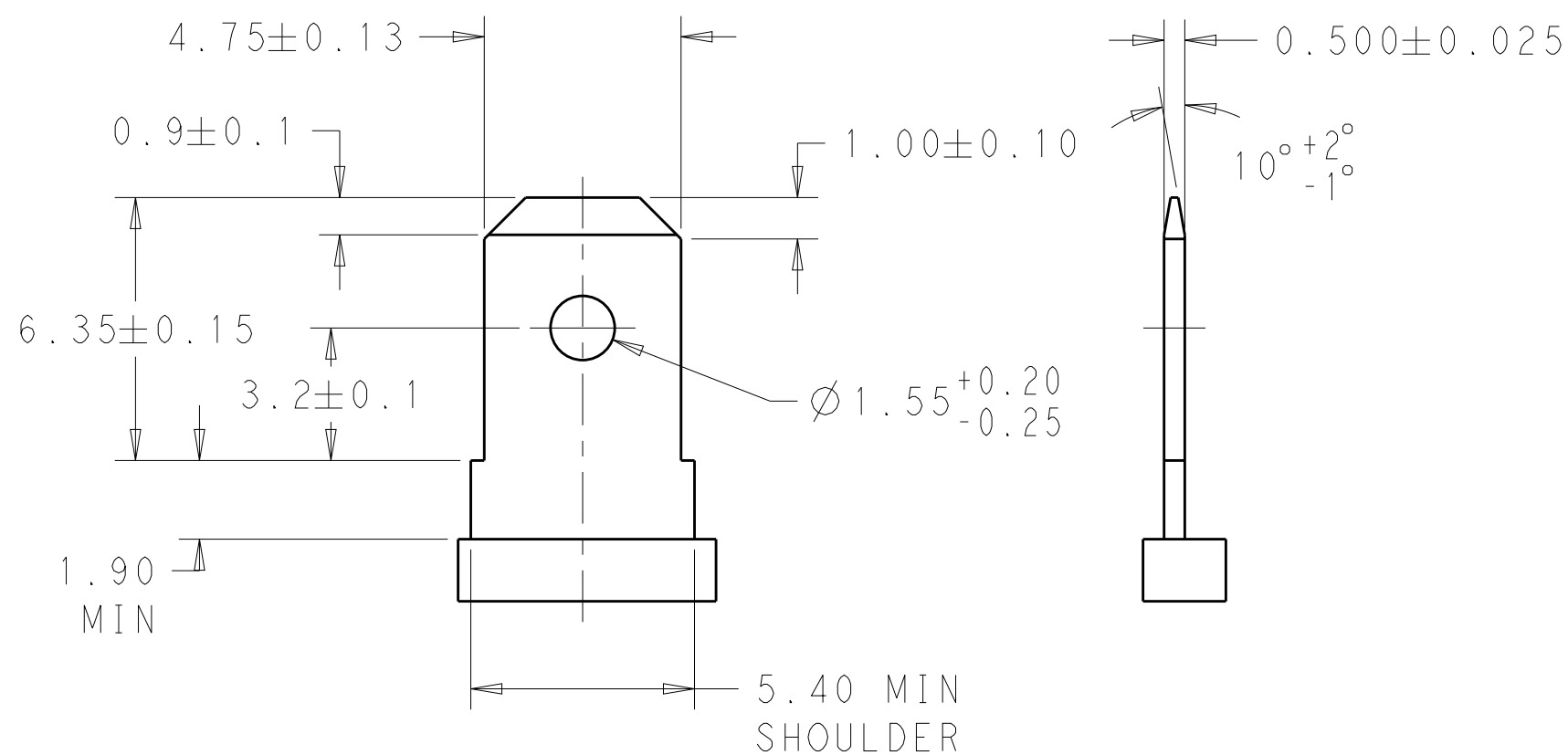
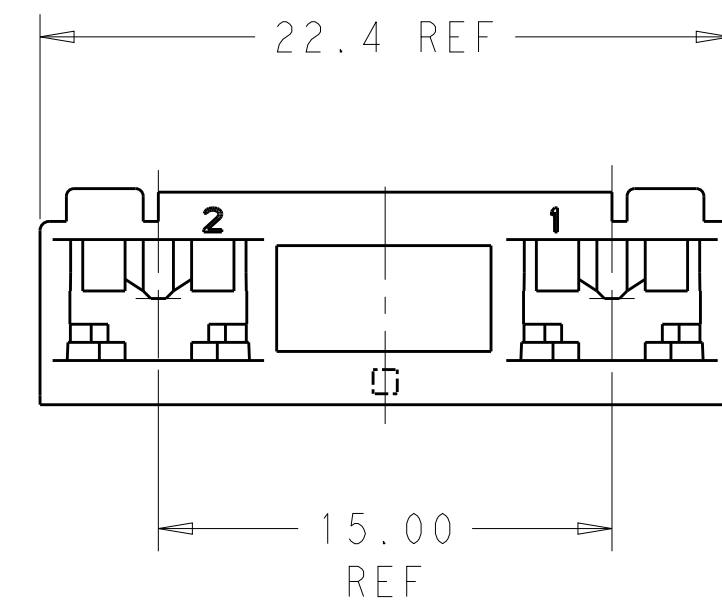
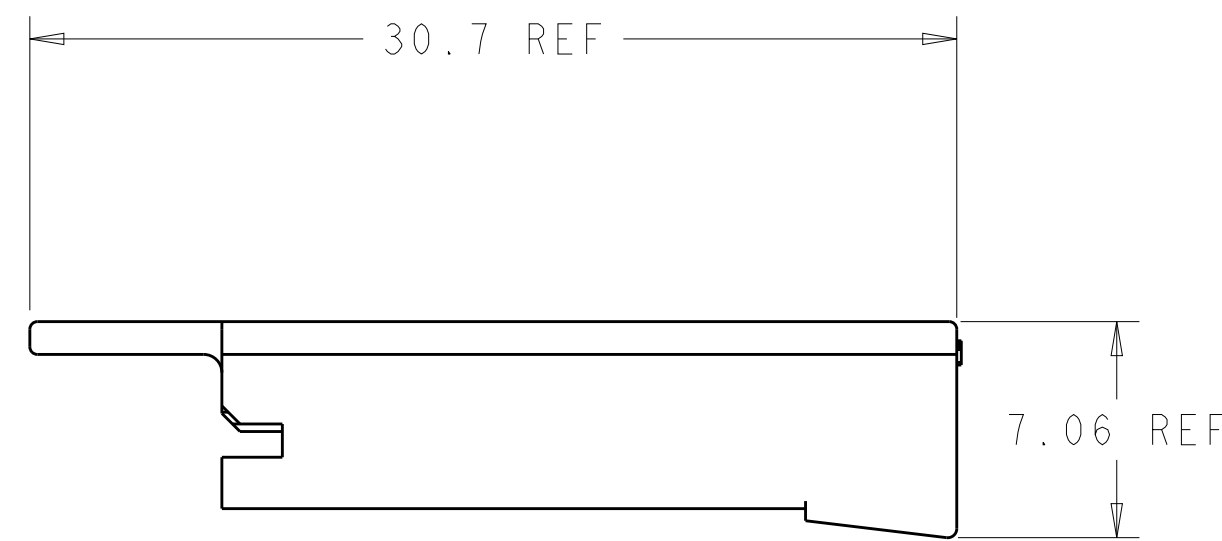
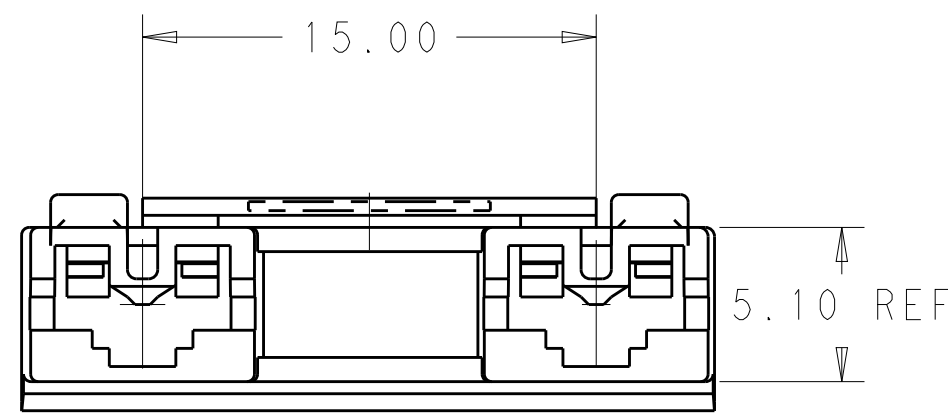


THIS DRAWING IS UNPUBLISHED. RELEASED FOR PUBLICATION
 © COPYRIGHT copyright.d8te- ALL RIGHTS RESERVED.

REVISIONS				
P	LTR	DESCRIPTION	DATE	APVD
A		RELEASED PER ECO-15-016317	12NOV15	JR MD



1 ACCEPTS 4.75 [.187] SERIES POSITIVE-LOCK RECEPTACLES P/N'S 170324-X, 170325-X, OR 170326-X.



RECOMMENDED MATING TAB DIM'S
 SCALE 6:1

1969735-1
 PART NO.

THIS DRAWING IS A CONTROLLED DOCUMENT.		DWN JR RUTH 12-Nov-15	TE Connectivity	
DIMENSIONS: mm		CHK MIKE DIDONATO 19MART15		
TOLERANCES UNLESS OTHERWISE SPECIFIED:		APVD MIKE DIDONATO 19MART15	NAME HOUSING, POSI-LOCK MKII .187 SERIES, 2 POSITION	
0 PLC ±		PRODUCT SPEC	SIZE A2	
1 PLC ±0.3		APPLICATION SPEC	CAGE CODE -	
2 PLC ±0.30		WEIGHT	DRAWING NO C-1969735	
3 PLC ±0.30		Customer Drawing	RESTRICTED TO -	
4 PLC ±		SCALE 12:1	SHEET 1 OF 1	
ANGLES ±		REV A		
FINISH				
MATERIAL NYLON, V0				
COLOR-NATURAL				