



Chipsmall Limited consists of a professional team with an average of over 10 year of expertise in the distribution of electronic components. Based in Hongkong, we have already established firm and mutual-benefit business relationships with customers from,Europe,America and south Asia,supplying obsolete and hard-to-find components to meet their specific needs.

With the principle of “Quality Parts,Customers Priority,Honest Operation,and Considerate Service”,our business mainly focus on the distribution of electronic components. Line cards we deal with include Microchip,ALPS,ROHM,Xilinx,Pulse,ON,Everlight and Freescale. Main products comprise IC,Modules,Potentiometer,IC Socket,Relay,Connector.Our parts cover such applications as commercial,industrial, and automotives areas.

We are looking forward to setting up business relationship with you and hope to provide you with the best service and solution. Let us make a better world for our industry!



Contact us

Tel: +86-755-8981 8866 Fax: +86-755-8427 6832

Email & Skype: info@chipsmall.com Web: www.chipsmall.com

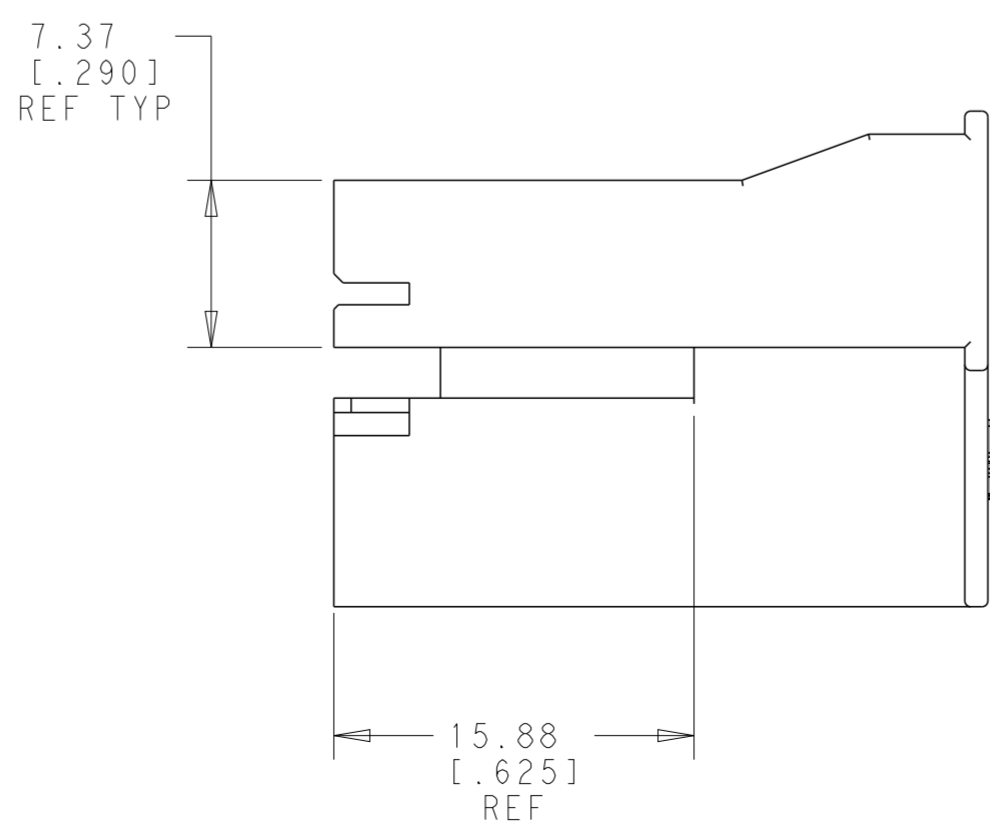
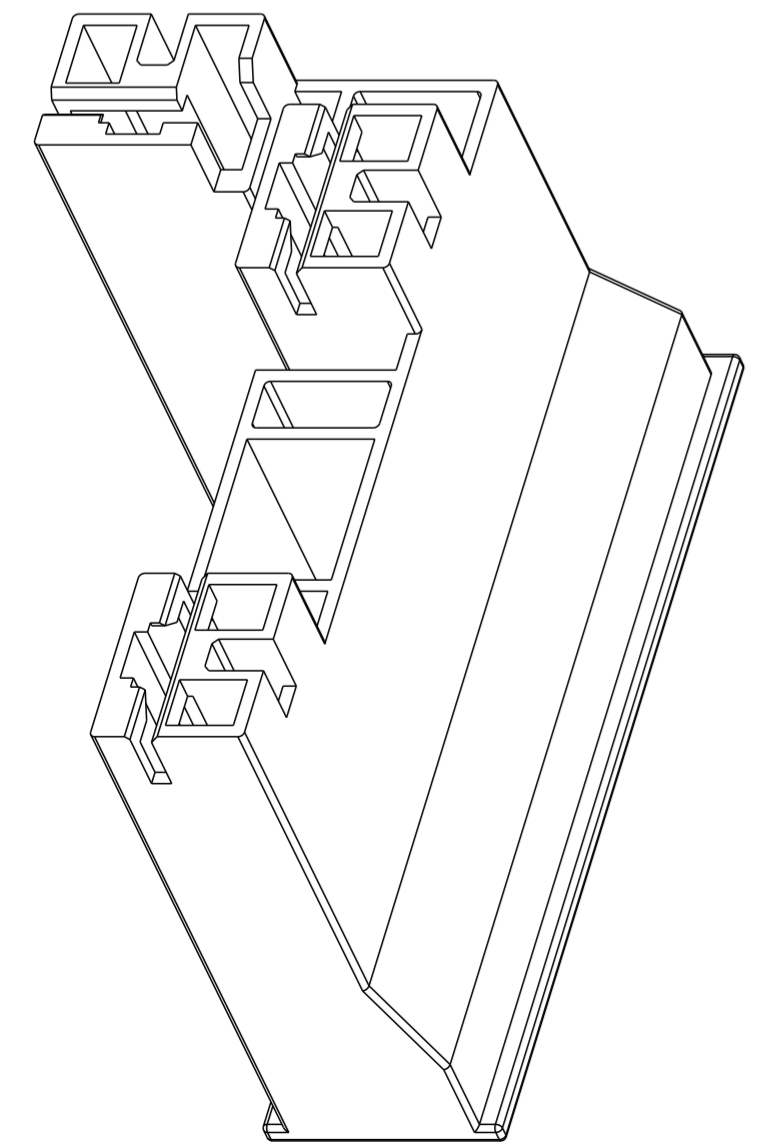
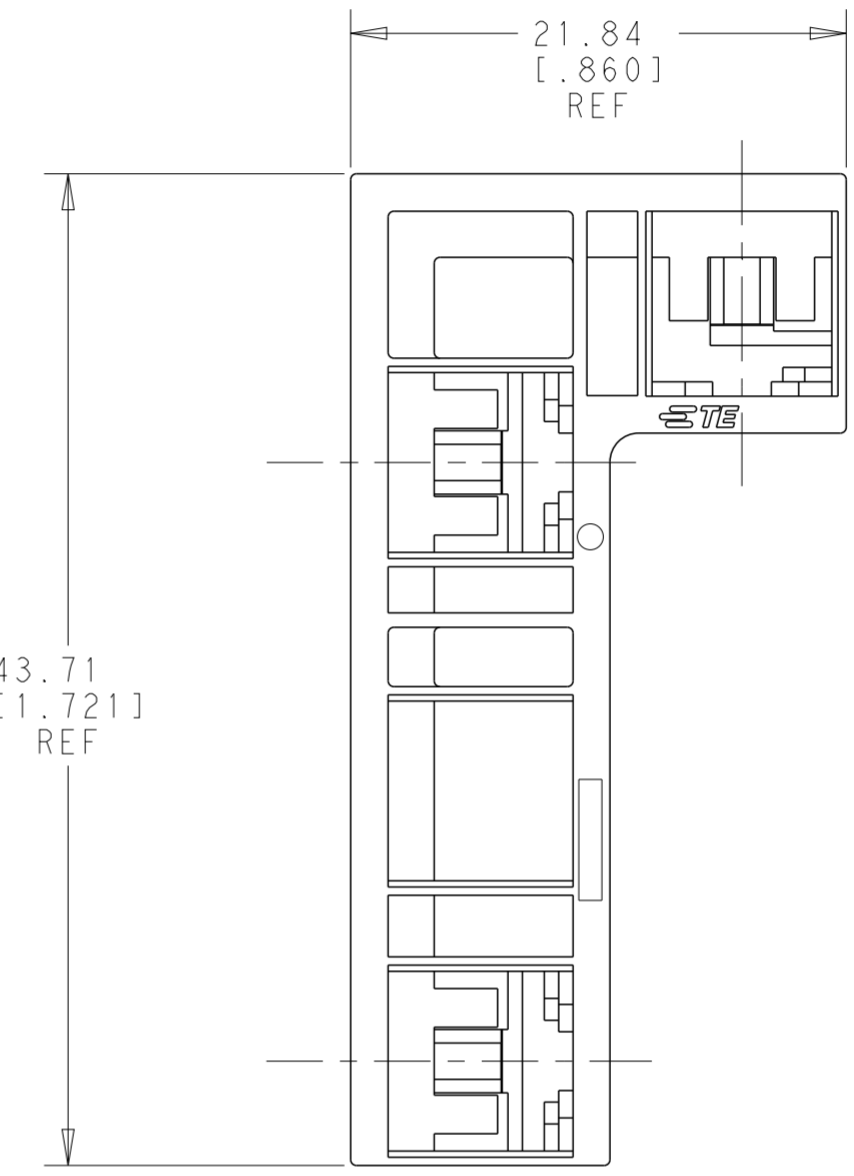
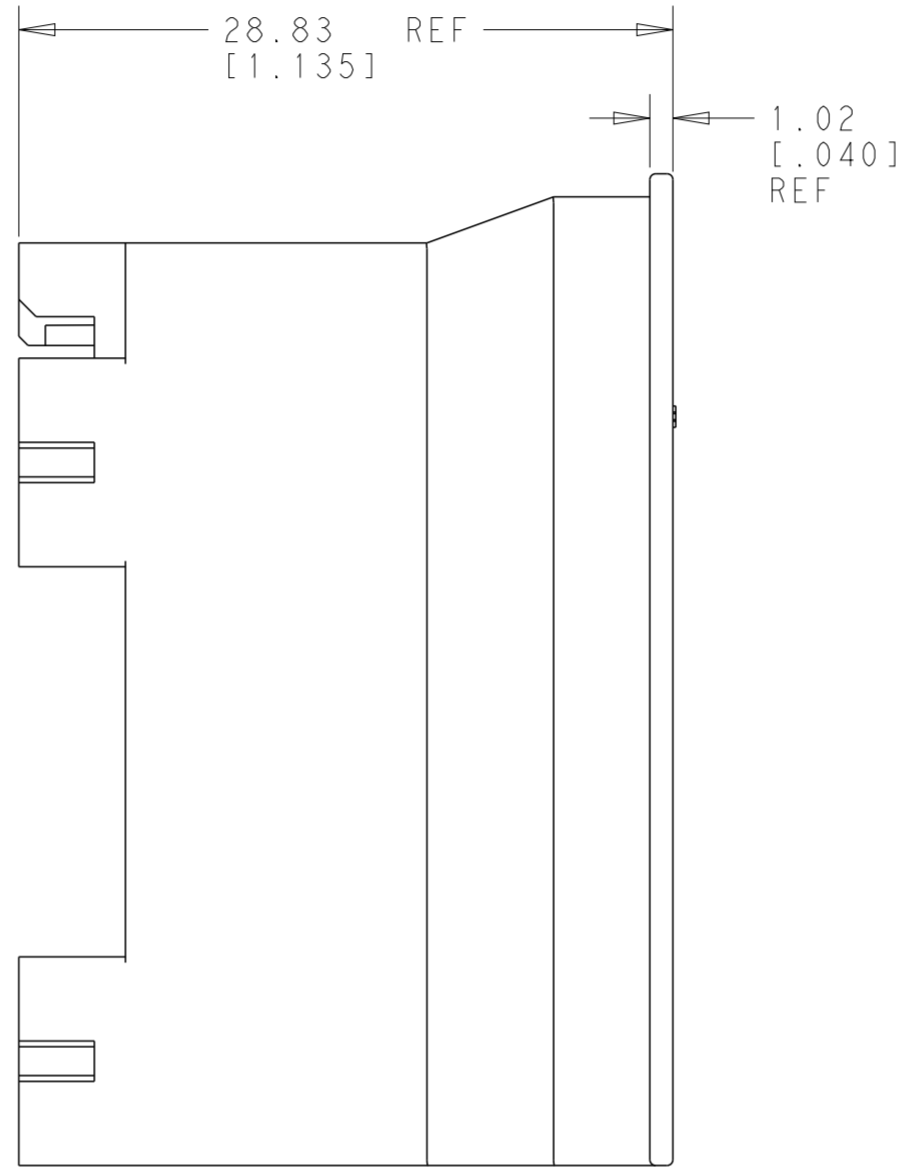
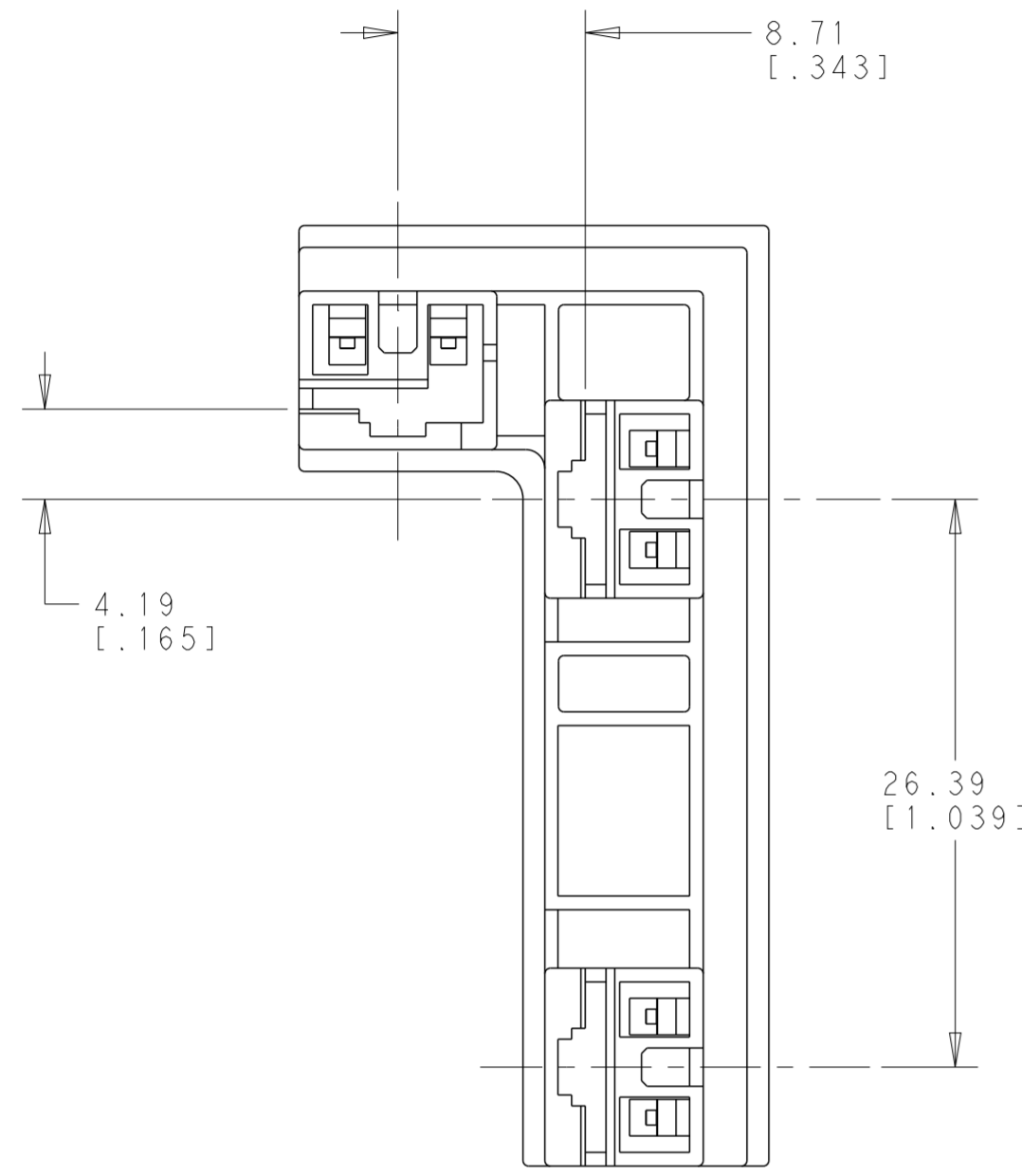
Address: A1208, Overseas Decoration Building, #122 Zhenhua RD., Futian, Shenzhen, China



THIS DRAWING IS UNPUBLISHED. RELEASED FOR PUBLICATION 20
 © COPYRIGHT 20 BY - ALL RIGHTS RESERVED.

REVISIONS				
P	LTR	DESCRIPTION	DATE	APVD
A		REVISED PER ECR-16-014077	06OCT2016	BW RS

1 THIS HOUSING ACCEPTS BOTH FASTON AND POSI-LOCK MKII TERMINALS.



NATURAL	NYLON V0	1969760-1
COLOR	MATERIAL	PART NO

THIS DRAWING IS A CONTROLLED DOCUMENT.		DWN NAGALAKSHMI, K	23 JUN 2015	TE Connectivity NAME 3P POSI-LOCK, MARK II
DIMENSIONS: mm [INCHES]		CHK DIDONATO, MICHAEL	23 JUN 2015	
TOLERANCES UNLESS OTHERWISE SPECIFIED:		APVD DIDONATO, MICHAEL	23 JUN 2015	
0 PLC ± 1 PLC ± 2 PLC ± 3 PLC ±0.25 [.010] 4 PLC ± ANGLES ± FINISH -		PRODUCT SPEC	-	
MATERIAL NYLON V0		APPLICATION SPEC	-	SIZE A200779
		WEIGHT	-	CAGE CODE C-1969760
		CUSTOMER DRAWING		DRAWING NO 1969760-1
		SCALE	3:1	RESTRICTED TO -
		SHEET	1 OF 1	REV A