



Chipsmall Limited consists of a professional team with an average of over 10 year of expertise in the distribution of electronic components. Based in Hongkong, we have already established firm and mutual-benefit business relationships with customers from,Europe,America and south Asia,supplying obsolete and hard-to-find components to meet their specific needs.

With the principle of "Quality Parts,Customers Priority,Honest Operation,and Considerate Service",our business mainly focus on the distribution of electronic components. Line cards we deal with include Microchip,ALPS,ROHM,Xilinx,Pulse,ON,Everlight and Freescale. Main products comprise IC,Modules,Potentiometer,IC Socket,Relay,Connector.Our parts cover such applications as commercial,industrial, and automotives areas.

We are looking forward to setting up business relationship with you and hope to provide you with the best service and solution. Let us make a better world for our industry!



Contact us

Tel: +86-755-8981 8866 Fax: +86-755-8427 6832

Email & Skype: info@chipsmall.com Web: www.chipsmall.com

Address: A1208, Overseas Decoration Building, #122 Zhenhua RD., Futian, Shenzhen, China




IPCV 16/ 3-GF-10,16

Order No.: 1969784

The figure shows a 5-pos. version of the product

<http://eshop.phoenixcontact.de/phoenix/treeViewClick.do?UID=1969784>

Header, Nominal current: 76 A, Rated voltage (III/2): 1000 V, Number of positions: 3, Pitch: 10.16 mm, Color: green, Metal surface: Sn, Assembly: Soldering

| Commercial data | |
|--------------------------|--|
| GTIN (EAN) |  4 017918 946791 |
| sales group | E541 |
| Pack | 50 pcs. |
| Customs tariff | 85366990 |
| Catalog page information | Page 427 (CC-2009) |

Product notesWEEE/RoHS-compliant since:
05/05/2003

<http://www.download.phoenixcontact.com>
Please note that the data given here has been taken from the online catalog. For comprehensive information and data, please refer to the user documentation. The General Terms and Conditions of Use apply to Internet downloads.

| Technical data | |
|-------------------------------|----------|
| Dimensions / positions | |
| Length | 13.6 mm |
| Pitch | 10.16 mm |
| Dimension a | 20.32 mm |
| Number of positions | 3 |

| | |
|----------------|-----------|
| Pin dimensions | 0,8 x 1,2 |
| Pin spacing | 10.16 mm |
| Hole diameter | 1.7 mm |

Technical data

| | |
|-------------------------------------|---------------|
| Range of articles | IPCV 16/..-GF |
| Insulating material group | I |
| Rated surge voltage (III/3) | 8 kV |
| Rated surge voltage (III/2) | 8 kV |
| Rated surge voltage (II/2) | 8 kV |
| Rated voltage (III/2) | 1000 V |
| Rated voltage (II/2) | 1000 V |
| Nominal current I_N | 76 A |
| Nominal voltage U_N | 1000 V |
| Maximum load current | 76 A |
| Insulating material | PA |
| Inflammability class acc. to UL 94 | V0 |
| Nominal voltage, UL/CUL Use Group B | 300 V |
| Nominal current, UL/CUL Use Group B | 66 A |
| Nominal voltage, UL/CUL Use Group C | 300 V |
| Nominal current, UL/CUL Use Group C | 66 A |
| Nominal voltage, UL/CUL Use Group D | 600 V |
| Nominal current, UL/CUL Use Group D | 5 A |

Certificates / Approvals



Certification

CB, CCA, CUL, SEV, UL

Accessories

| Item | Designation | Description |
|------|-------------|-------------|
|------|-------------|-------------|

General

| | | |
|---------|--------------|---|
| 1970016 | CS-IPC 16/ 6 | Coding pin, serves to ensure correct polarization on the PCB during manual mounting |
|---------|--------------|---|

Marking

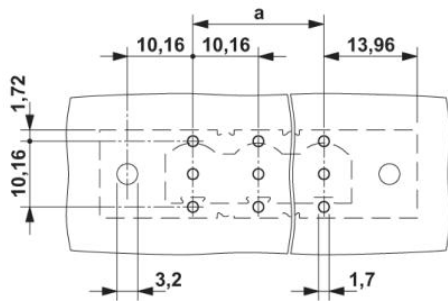
| | | |
|---------|------------------------|--|
| 0805179 | SK 10/5:SO | Marker card, special printing, self-adhesive, labeled acc. to customer requirements, 10 identical marker strips per card, max. 25-position labeling per strip, color: White |
| 0803922 | SK U/5,0 WH:UNBEDRUCKT | Kennzeichnungskarten unbedruckt, DIN A4-Format, freie Rastereinteilung, selbstklebend, mit 35 vorgestanzten Kennzeichnungstreifen, 185 mm Streifenlänge, beschriftbar mit dem CMS-System oder manuell mit dem B-STIFT oder X-PEN |

Plug/Adapter

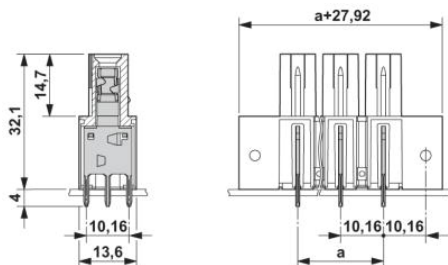
| | | |
|---------|----------|----------------------------|
| 1600027 | CP-HCC 4 | Coding profile, Color: red |
|---------|----------|----------------------------|

Diagrams/Drawings

Drilling plan/solder pad geometry



Dimensioned drawing



Address

PHOENIX CONTACT Inc., USA
586 Fulling Mill Road
Middletown, PA 17057, USA
Phone (800) 888-7388
Fax (717) 944-1625
<http://www.phoenixcon.com>



© 2011 Phoenix Contact
Technical modifications reserved;