



Chipsmall Limited consists of a professional team with an average of over 10 year of expertise in the distribution of electronic components. Based in Hongkong, we have already established firm and mutual-benefit business relationships with customers from,Europe,America and south Asia,supplying obsolete and hard-to-find components to meet their specific needs.

With the principle of “Quality Parts,Customers Priority,Honest Operation,and Considerate Service”,our business mainly focus on the distribution of electronic components. Line cards we deal with include Microchip,ALPS,ROHM,Xilinx,Pulse,ON,Everlight and Freescale. Main products comprise IC,Modules,Potentiometer,IC Socket,Relay,Connector.Our parts cover such applications as commercial,industrial, and automotives areas.

We are looking forward to setting up business relationship with you and hope to provide you with the best service and solution. Let us make a better world for our industry!



Contact us

Tel: +86-755-8981 8866 Fax: +86-755-8427 6832

Email & Skype: info@chipsmall.com Web: www.chipsmall.com

Address: A1208, Overseas Decoration Building, #122 Zhenhua RD., Futian, Shenzhen, China



4

3

2

1

THIS DRAWING IS UNPUBLISHED.

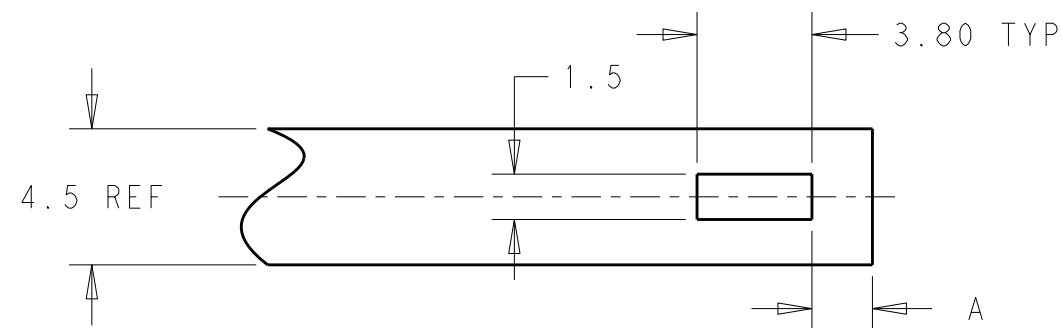
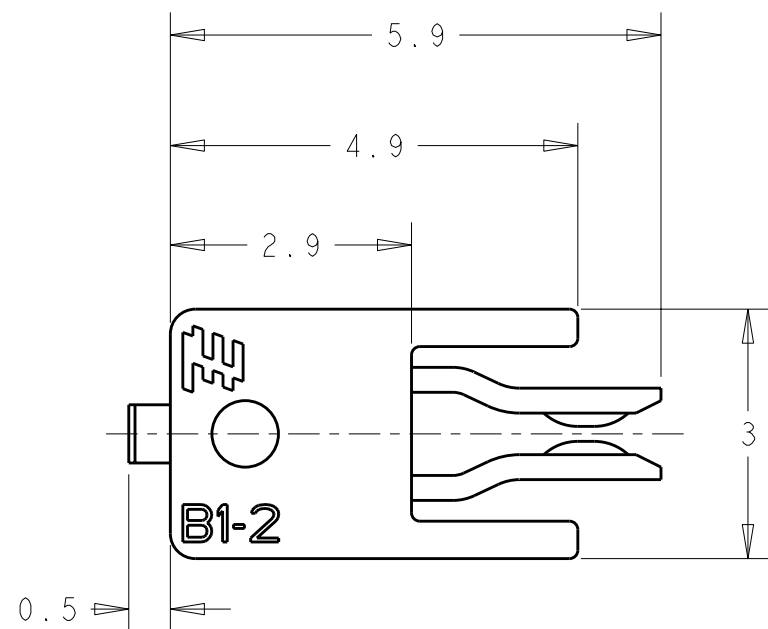
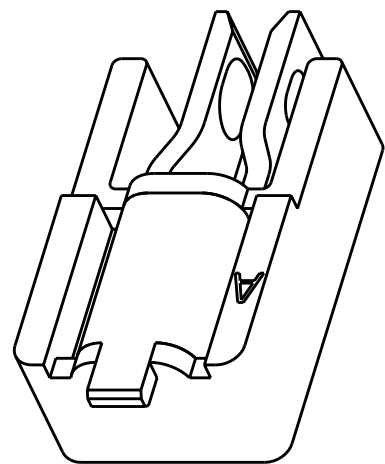
RELEASED FOR PUBLICATION

20

© COPYRIGHT 20

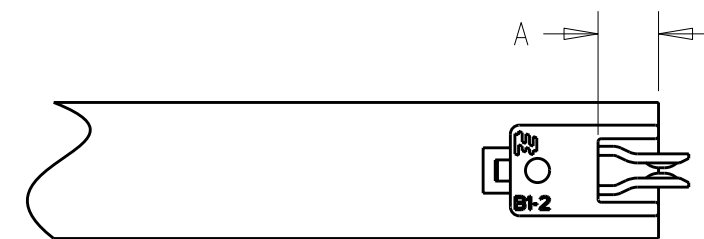
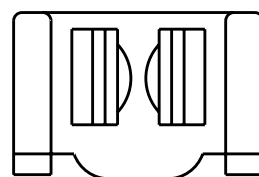
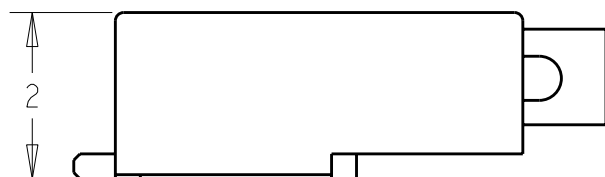
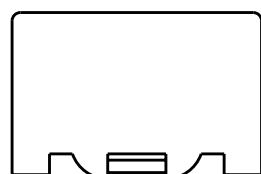
BY TYCO ELECTRONICS CORPORATION. ALL INTERNATIONAL RIGHTS RESERVED.

LOC	DIST	REVISIONS				
P	LTR	DESCRIPTION	DATE	DWN	APVD	
ES	0	A	RELEASE DRAWING	19APR2011	G.C	X.X



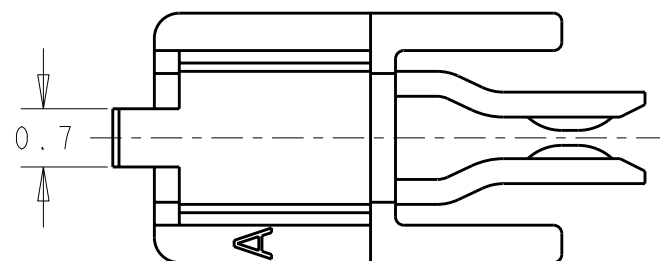
(TYPE A=2.00 HORIZONTALLY MATED ONLY)
 (TYPE A=0.80 CAN BE BOTH VERTICALLY AND HORIZONTALLY MATED)
 RECOMMENDED PCB LAYOUT FOR 1971743-1

SCALE 4:1



(TYPE A=2.00 HORIZONTALLY MATED ONLY)
 (TYPE A=0.80 CAN BE BOTH VERTICALLY AND HORIZONTALLY MATED)
 RECOMMENDED PCB LAYOUT FOR 1971743-1

SCALE 4:1



NOTES:
 1. PACKAGED IN TAPE AND REEL PER IEA-481 SPECIFICATIONS.
 2. MATERIAL AND FINISH:
 -HOUSING: THERMAL PLASTIC
 -SOCKET CONTACT: COPPER ALLOY
 -FINISH: TIN OVER NICKEL.

<small>THIS DRAWING IS A CONTROLLED DOCUMENT FOR TYCO ELECTRONICS CORPORATION IT IS SUBJECT TO CHANGE AND THE CONTROLLING ENGINEERING ORGANIZATION SHOULD BE CONTACTED FOR THE LATEST REVISION.</small>		DWN 19-Apr-11 GU CINDY		Tyco Electronics Corporation Shanghai China	
DIMENSIONS: mm		TOLERANCES UNLESS OTHERWISE SPECIFIED: 0 PLC ±- 1 PLC ±0.5 2 PLC ±0.13 3 PLC ±0.013 4 PLC ±0.0001 ANGLES ±1		CHK 19-Apr-11 TAO TRACY	
		APVD 19-Apr-11 XU XIANG		NAME 1P FEMALE CONNECTOR FOR B-B	
MATERIAL -		FINISH -		PRODUCT SPEC 108-106050	
MATERIAL -		FINISH -		APPLICATION SPEC 114-106074	
MATERIAL -		FINISH -		WEIGHT -	
MATERIAL -		FINISH -		SIZE A3 CAGE CODE 00779 DRAWING NO C-1971743	
MATERIAL -		FINISH -		RESTRICTED TO -	
MATERIAL -		FINISH -		SCALE 3:1 SHEET 1 OF 1 REV A	
MATERIAL -		FINISH -		CUSTOMER DRAWING	