



Chipsmall Limited consists of a professional team with an average of over 10 year of expertise in the distribution of electronic components. Based in Hongkong, we have already established firm and mutual-benefit business relationships with customers from,Europe,America and south Asia,supplying obsolete and hard-to-find components to meet their specific needs.

With the principle of “Quality Parts,Customers Priority,Honest Operation,and Considerate Service”,our business mainly focus on the distribution of electronic components. Line cards we deal with include Microchip,ALPS,ROHM,Xilinx,Pulse,ON,Everlight and Freescale. Main products comprise IC,Modules,Potentiometer,IC Socket,Relay,Connector.Our parts cover such applications as commercial,industrial, and automotives areas.

We are looking forward to setting up business relationship with you and hope to provide you with the best service and solution. Let us make a better world for our industry!



Contact us

Tel: +86-755-8981 8866 Fax: +86-755-8427 6832

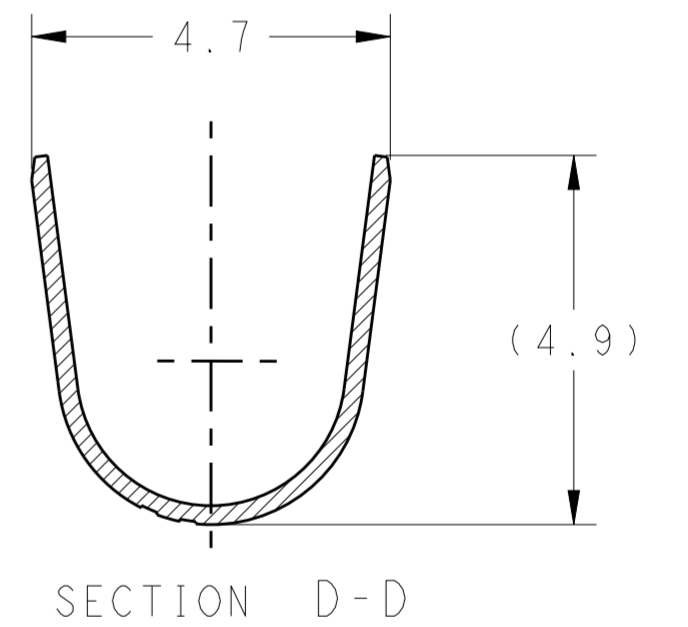
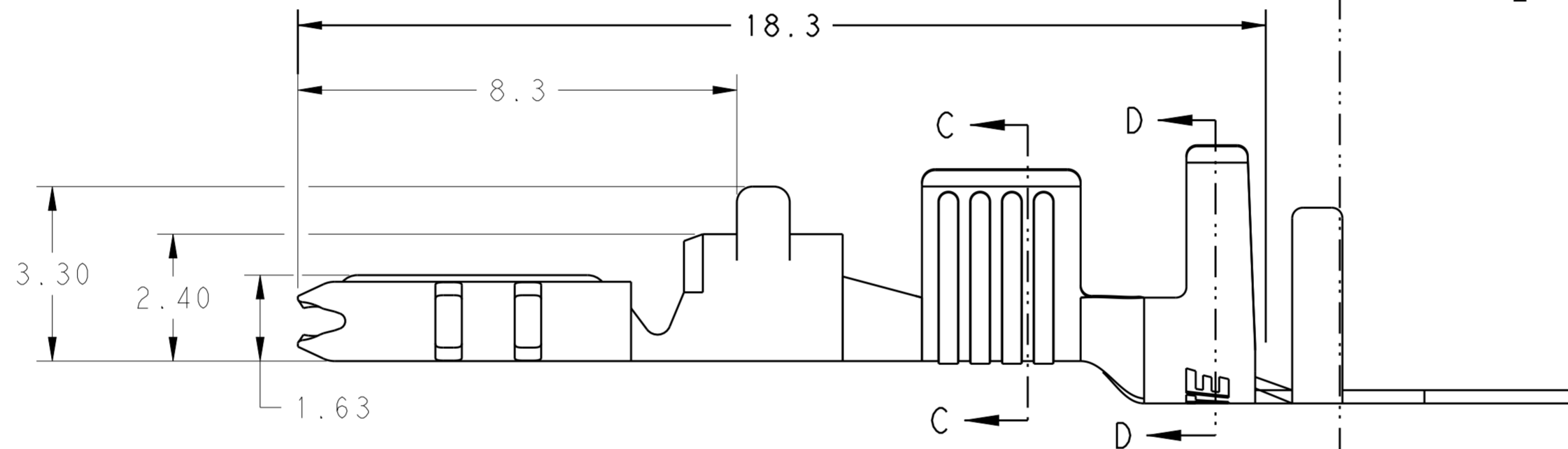
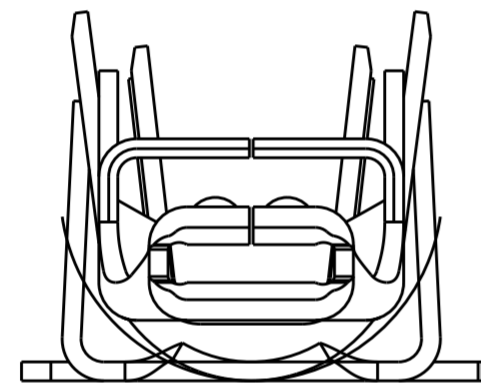
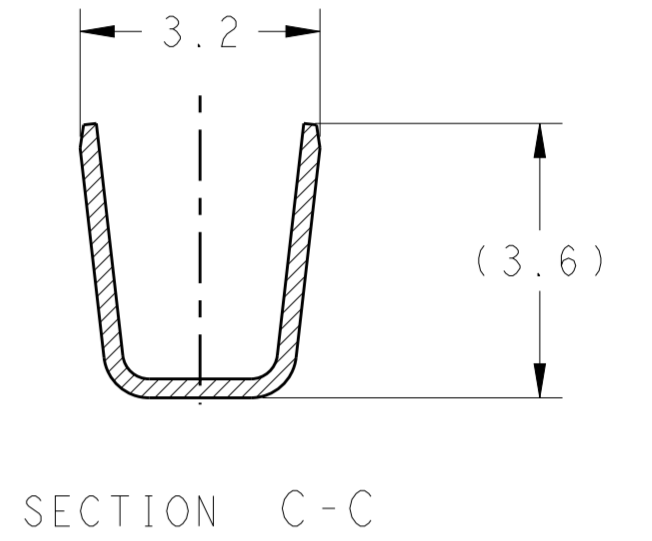
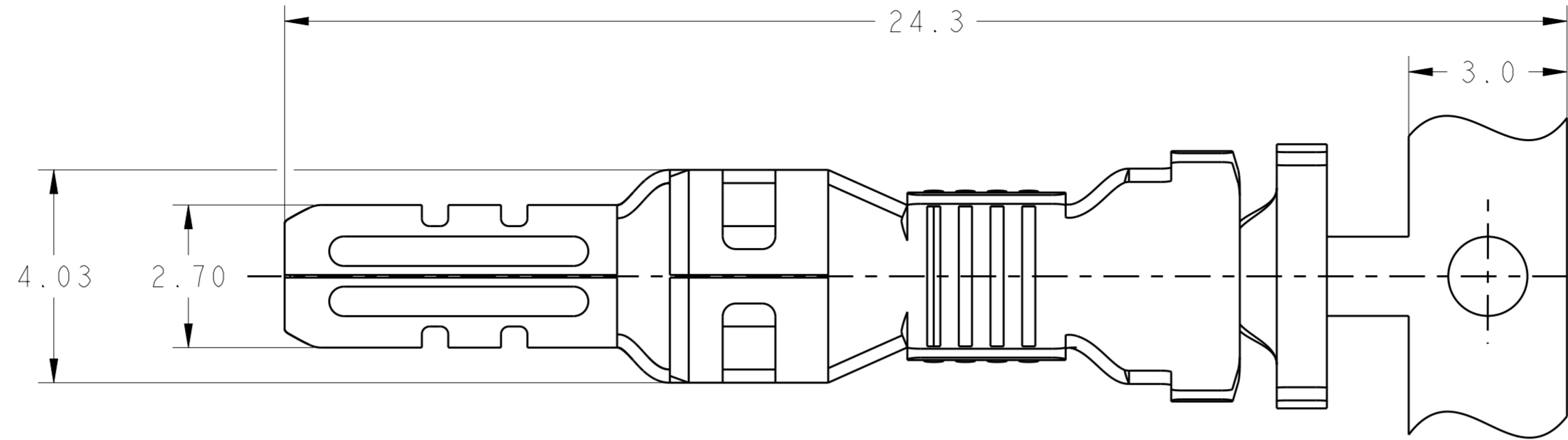
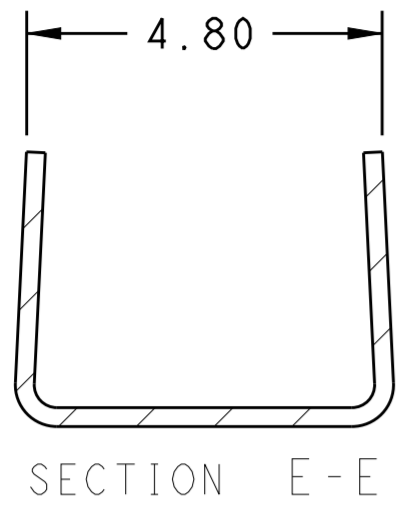
Email & Skype: info@chipsmall.com Web: www.chipsmall.com

Address: A1208, Overseas Decoration Building, #122 Zhenhua RD., Futian, Shenzhen, China

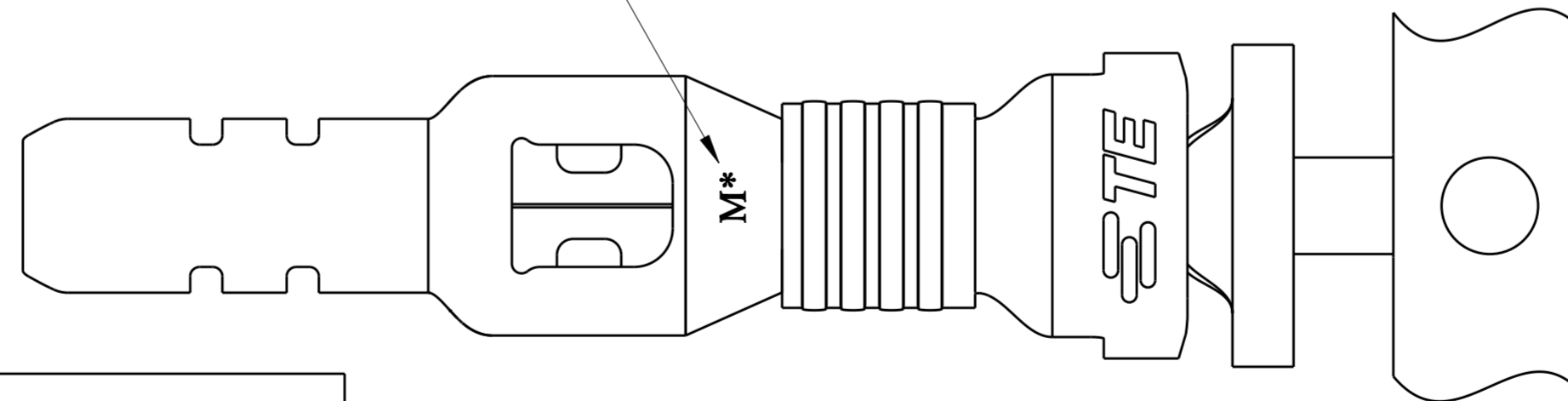


THIS DRAWING IS UNPUBLISHED. RELEASED FOR PUBLICATION 20
 © COPYRIGHT 20 BY - ALL RIGHTS RESERVED.

LOC	DIST	REVISIONS			
P	LTR	DESCRIPTION	DATE	DWN	APVD
ES	00				
		C1	REVISED PER ECO-16-016321	14NOV2016	RS GJ



MATERIAL MARK



1. APPLICABLE WIRE: 14AWG COPPER STRANDED
2. APPLICABLE INSULATION DIAMETER: 3.40~3.70mm
3. APPLICABLE MATED CAP HOUSING P/N:
 -1971771-/*-1971774-*/*-1971874-*/
 -1971772-/*-1971775-*/*-1971875-*/
 -2232263-/*-2232264-*/*-2232356-*/
 -2232358-/*-2232359-*/*-2232360-*

4. This product has not completed validation testing.

MATERIAL	TEMP. RATING	MATERIAL MARK	PART NO
COPPER ALLOY	HIGH(150°C)	M0	1971782-2
BRASS	STANDARD(105°C)	M8	1971782-1

THIS DRAWING IS A CONTROLLED DOCUMENT.

DIMENSIONS: mm	TOLERANCES UNLESS OTHERWISE SPECIFIED: 0 PLC ± - 1 PLC ±0.5 2 PLC ±0.30 3 PLC ± 4 PLC ANGLES ±	DWN: TOMMY WU 11JUL2011 CHK: HAPYE WU 11JUL2011 APVD: YUHONG MAO 11JUL2011	TE Connectivity	
MATERIAL SEE TABLE	PRE-TIN	PRODUCT SPEC 108-106118 APPLICATION SPEC 114-106118	NAME TAB CONTACT POWER TRIPLE LOCK	
		WEIGHT -	SIZE A2	CAGE CODE 00779
		Customer Drawing	DRAWING NO 1971782	RESTRICTED TO -
		SCALE 5:1	SHEET 1	OF 1
			REV C1	