



Chipsmall Limited consists of a professional team with an average of over 10 year of expertise in the distribution of electronic components. Based in Hongkong, we have already established firm and mutual-benefit business relationships with customers from,Europe,America and south Asia,supplying obsolete and hard-to-find components to meet their specific needs.

With the principle of “Quality Parts,Customers Priority,Honest Operation,and Considerate Service”,our business mainly focus on the distribution of electronic components. Line cards we deal with include Microchip,ALPS,ROHM,Xilinx,Pulse,ON,Everlight and Freescale. Main products comprise IC,Modules,Potentiometer,IC Socket,Relay,Connector.Our parts cover such applications as commercial,industrial, and automotives areas.

We are looking forward to setting up business relationship with you and hope to provide you with the best service and solution. Let us make a better world for our industry!



Contact us

Tel: +86-755-8981 8866 Fax: +86-755-8427 6832

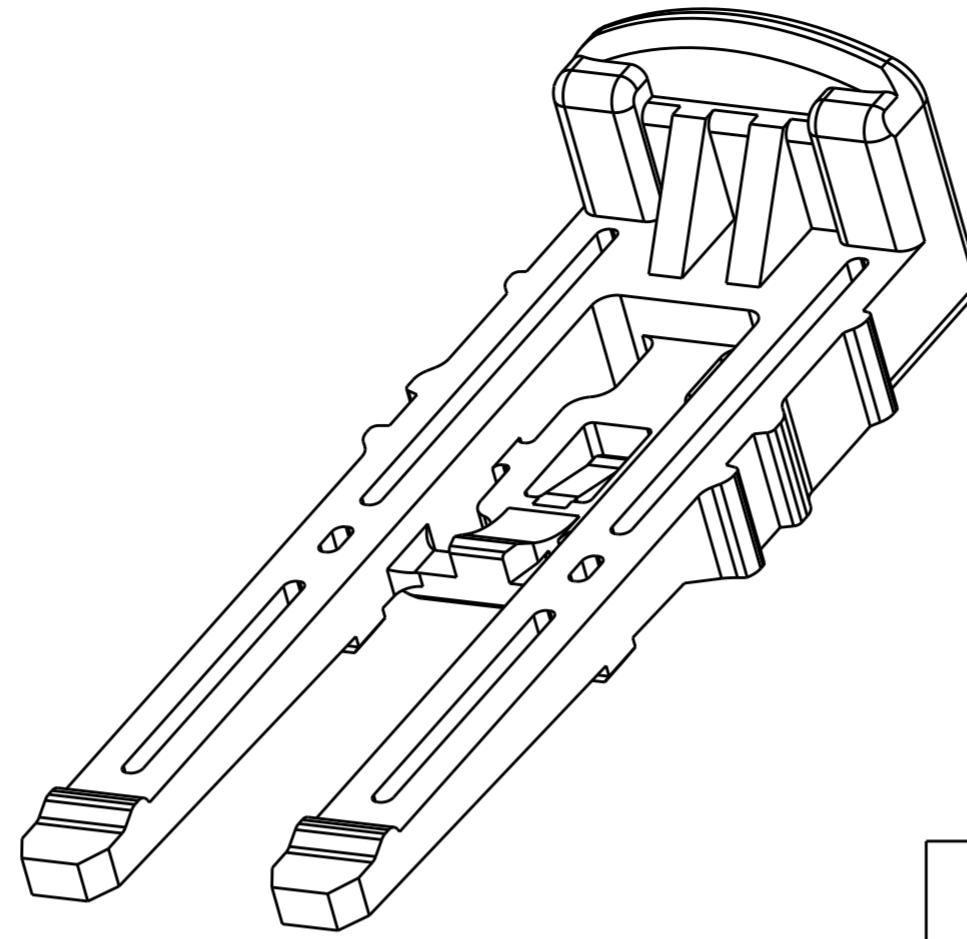
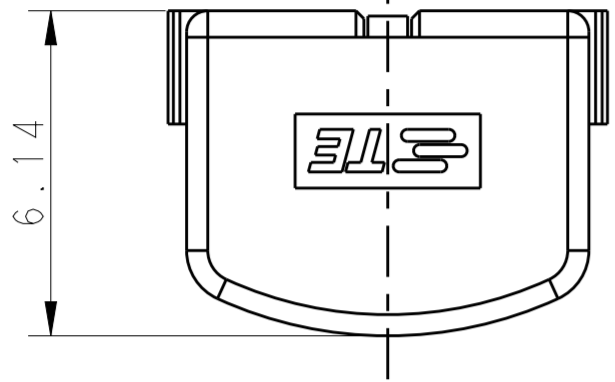
Email & Skype: info@chipsmall.com Web: www.chipsmall.com

Address: A1208, Overseas Decoration Building, #122 Zhenhua RD., Futian, Shenzhen, China



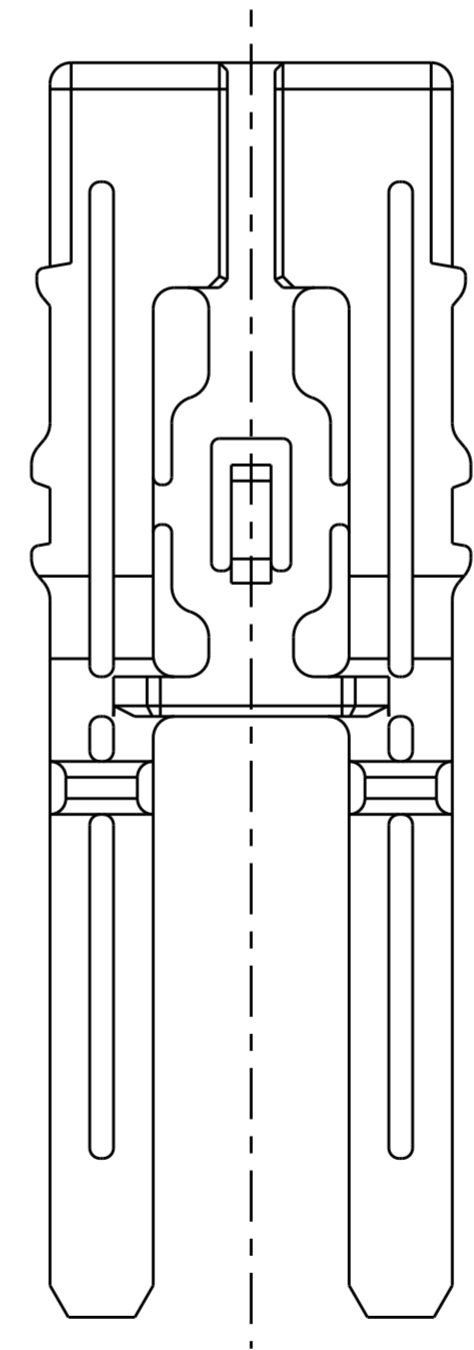
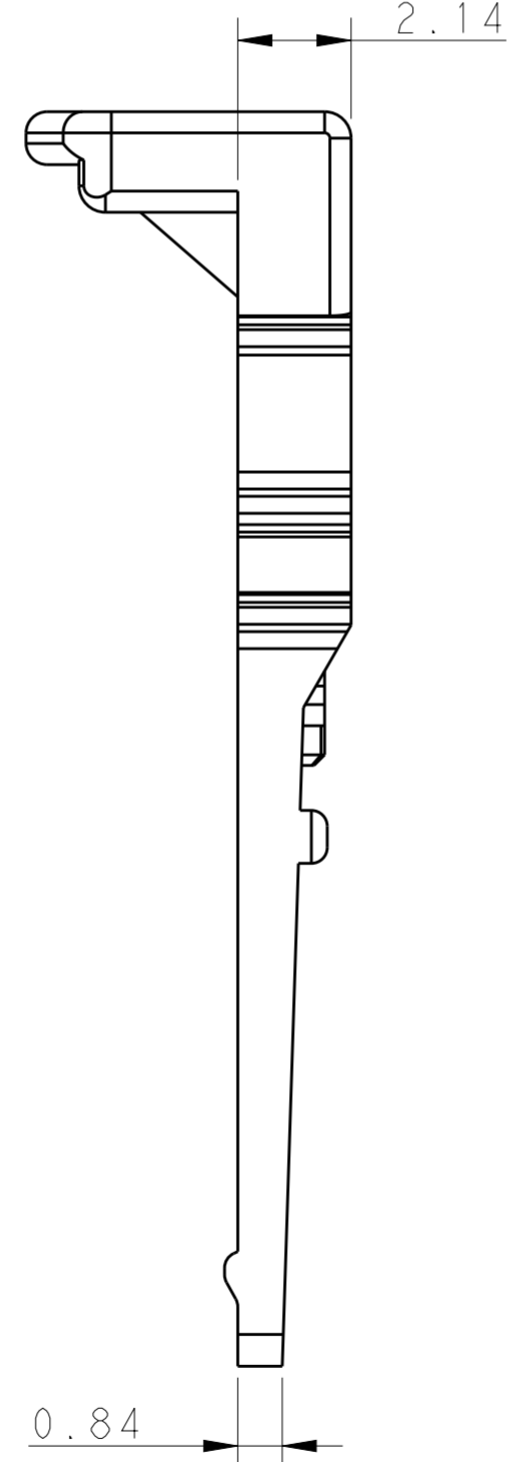
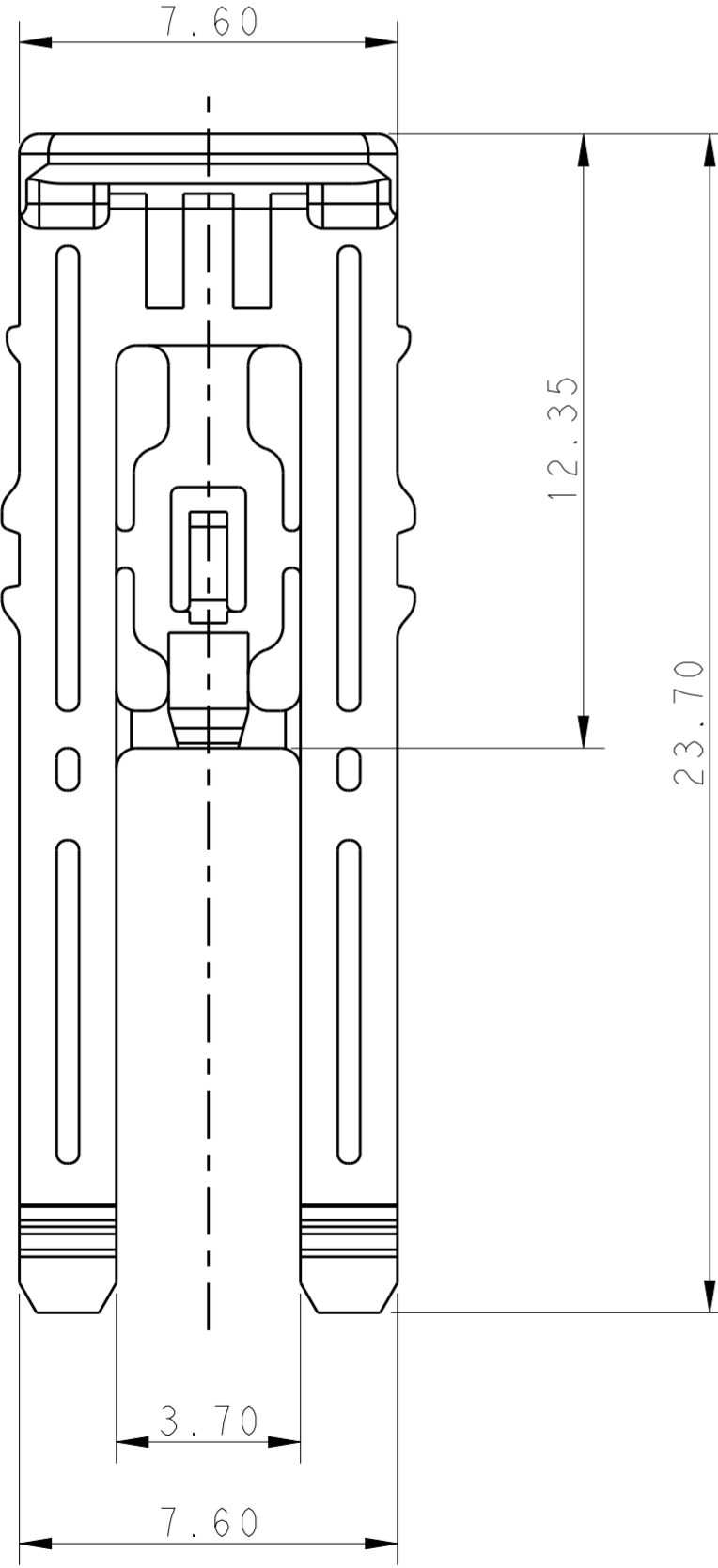
THIS DRAWING IS UNPUBLISHED. RELEASED FOR PUBLICATION 20
 © COPYRIGHT BY ALL RIGHTS RESERVED.

LOC	DIST	REVISIONS					
ES	00	P	LTR	DESCRIPTION	DATE	DWN	APVD
			A1	REVISED PER ECR-15-008657	15NOV2015	NK	GJ



- 1 MATERIAL:
LEVEL 2: NYLON,HIGH TEMPERATURE 150°C
- 2 PRODUCT SPEC:108-106118, 108-106147
- 3 APPLICATION SPEC:114-106118, 114-106147
- 4 APPLICABLE MATED PLUG HOUSING P/N:
-1971773-/*-1971776-*/*-1971876-*/
-2232265-/*-2232266-*/*-2232357-*/*-2232362-*

5 THIS PRODUCT HAS NOT COMPLETED VALIDATION TESTING.



RED	LEVEL 2	1971789-1
COLOR	MATERIAL	P/N

THIS DRAWING IS A CONTROLLED DOCUMENT.		DWN TOMMY WU 11JUL2012
DIMENSIONS: mm		CHK HAPYE WU 11JUL2012
TOLERANCES UNLESS OTHERWISE SPECIFIED:		APVD YUHONG MAO 11JUL2012
0 PLC	±	PRODUCT SPEC
1 PLC	±0.35	APPLICATION SPEC
2 PLC	±0.25	WEIGHT
3 PLC	±	Customer Drawing
4 PLC	±	
ANGLES	±	
FINISH	±	

TE Connectivity		NAME	
		CONNECTOR POSITION ASSURANCE(CPA) POWER TRIPLE LOCK	
SIZE	CAGE CODE	DRAWING NO	RESTRICTED TO
A2	00779	C-1971789	-
SCALE	SHEET	OF	REV
-	1	1	A1