



Chipsmall Limited consists of a professional team with an average of over 10 year of expertise in the distribution of electronic components. Based in Hongkong, we have already established firm and mutual-benefit business relationships with customers from,Europe,America and south Asia,supplying obsolete and hard-to-find components to meet their specific needs.

With the principle of “Quality Parts,Customers Priority,Honest Operation,and Considerate Service”,our business mainly focus on the distribution of electronic components. Line cards we deal with include Microchip,ALPS,ROHM,Xilinx,Pulse,ON,Everlight and Freescale. Main products comprise IC,Modules,Potentiometer,IC Socket,Relay,Connector.Our parts cover such applications as commercial,industrial, and automotives areas.

We are looking forward to setting up business relationship with you and hope to provide you with the best service and solution. Let us make a better world for our industry!



Contact us

Tel: +86-755-8981 8866 Fax: +86-755-8427 6832

Email & Skype: info@chipsmall.com Web: www.chipsmall.com

Address: A1208, Overseas Decoration Building, #122 Zhenhua RD., Futian, Shenzhen, China



THIS DRAWING IS UNPUBLISHED. RELEASED FOR PUBLICATION 20
 © COPYRIGHT 20 TE CONNECTIVITY ALL RIGHTS RESERVED.

LOC	DIST	REVISIONS			
P	LTR	DESCRIPTION	DATE	DWN	APVD
A4		ECR-14-000266	18MAR2014	LW	PY
A5		NOTE No.4 IS ADDED	17APR2014	KR	TD
A6		BOM AND EXPLODED VIEW ARE ADDED	30MAY2014	KR	TD
A7		ADDED THE TORQUE GAP RANGE	30APR2015	LW	PY

1 SPECIFICATION

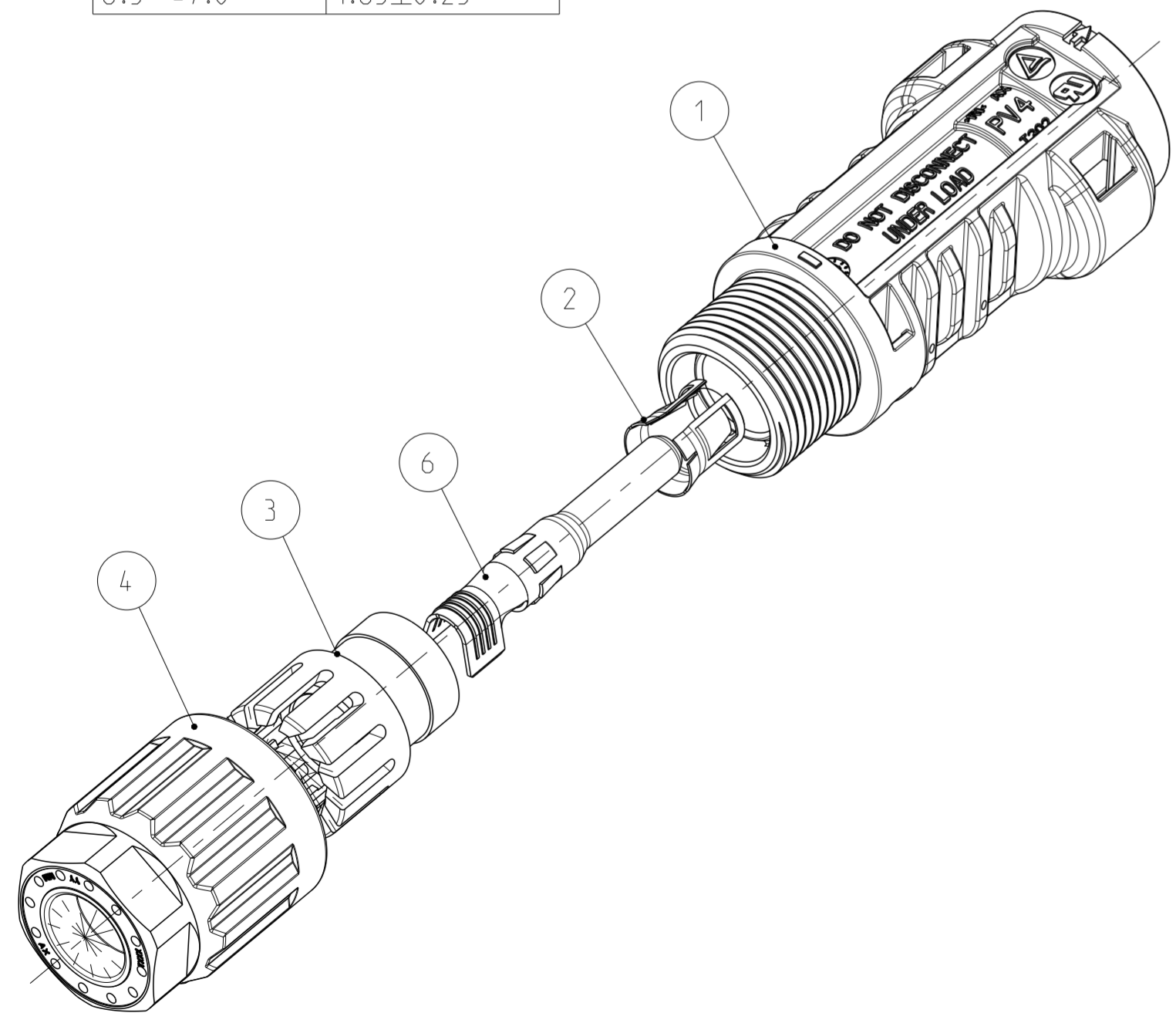
CABLE CONDUCTOR SIZE	4.0MM2/AWG12	6.0MM2/AWG10
RATED CURRENT (AT 85°C AMBIENT)	UL 20A DC TUV 35A DC	UL 30A DC TUV 40A DC
RATED VOLTAGE	1000V DC / TUV 1000V DC	
DEGREE OF PROTECTION, MATED	IP 68 (1m, 24h)	
AMBIENT TEMPERATURE RANGE	-40°C ~ +85°C	
OVERVOLTAGE CATEGORY	III	
POLLUTION DEGREE	2	
CONTACT RESISTANCE	0.5mΩ	
CONTACT MATERIAL	COPPER, TIN PLATED	
INSULATION MATERIAL	THERMOPLASTIC, UL94-V0	
SAFETY CLASS	II	
STRIP LENGTH	6.5mm	
CABLE JACKET DIAMETER	5.5~7.8mm	

2 CONTACT SHOWN UNINSTALLED, FOR REFERENCE ONLY

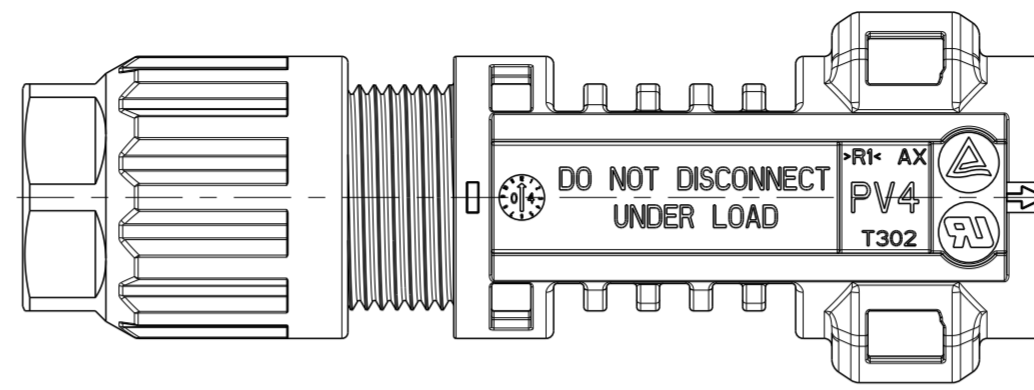
3 USE ONLY CRIMP TOOL OF TE CONNECTIVITY TO CRIMP CONTACT.
CRIMP TOOL P/N 6-1579014-8

4 THE CABLE SCREW JOINT TORQUE GAP:

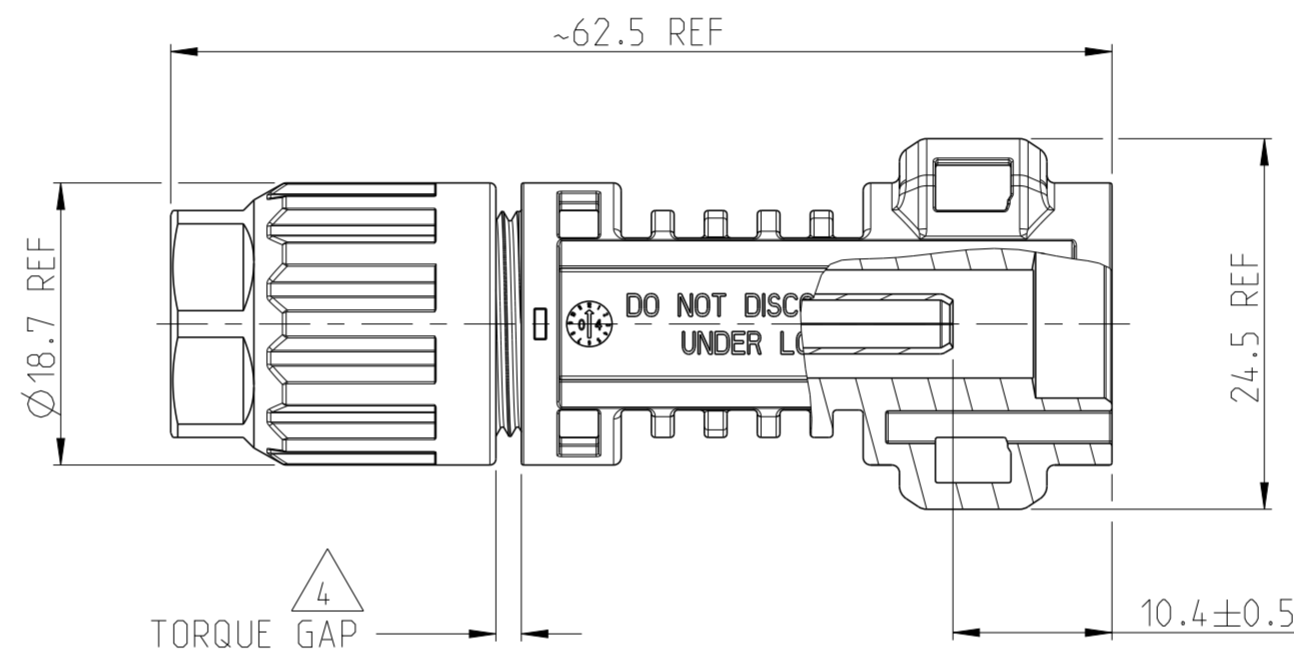
CABLE OD(mm)	TORQUE GAP(mm)
5.5~6.0	1.60±0.25
6.0~6.5	1.25±0.25
6.5~7.0	1.65±0.25



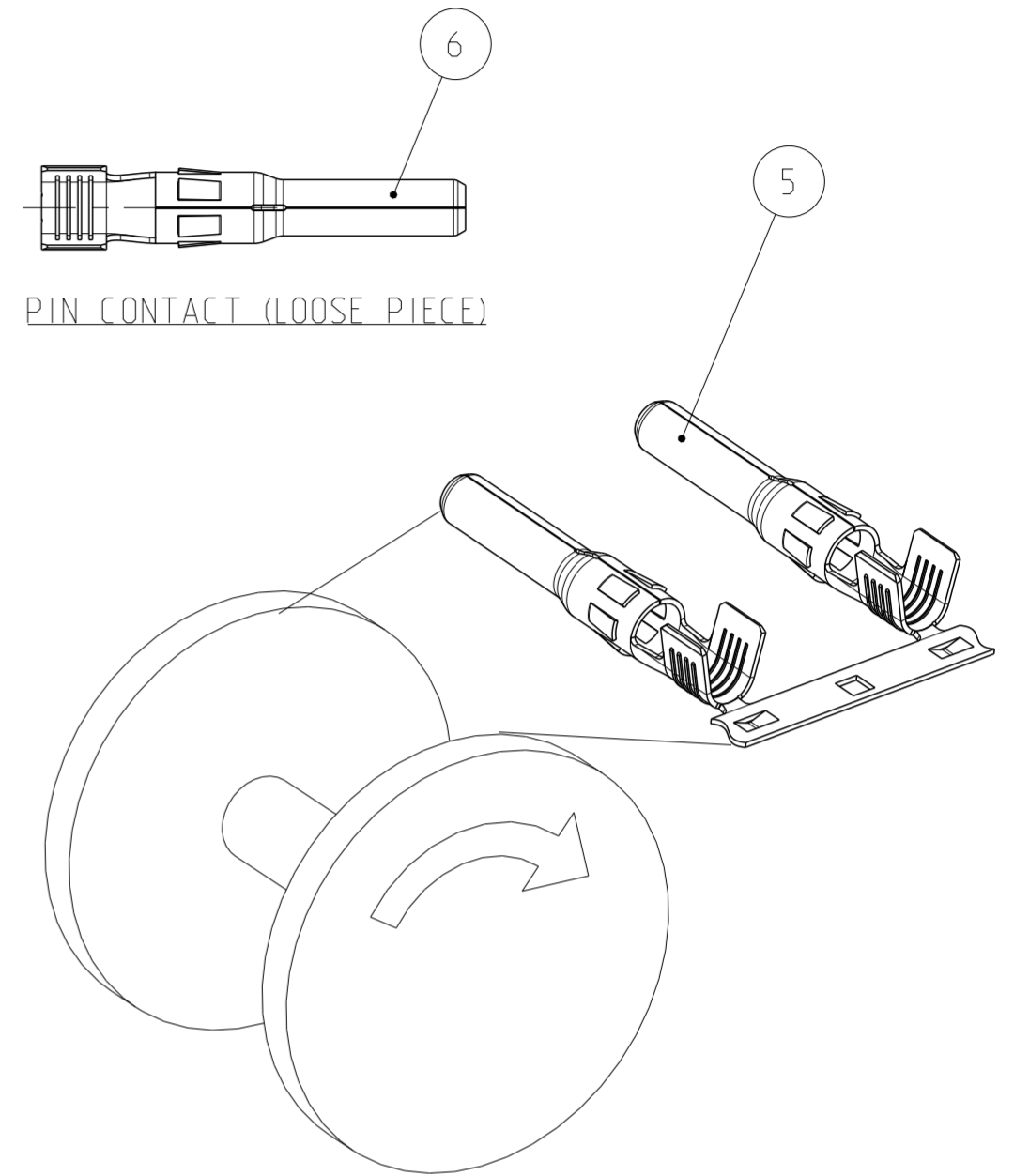
CONNECTOR ASSEMBLY SHOWN EXPLODED VIEW FOR REFERENCE ONLY



PREASSEMBLED VIEW AS SHOWN



ASSEMBLED VIEW AS SHOWN AND SHOWS THE TORQUE GAP FOR REFERENCE ONLY



PIN CONTACT (LOOSE PIECE)

STRIP CONTACT COME OFF TO ASSEMBLY
2000 PCS CONTACTS MOUNTED REEL
REEL TYPE SUBJECT TO ALTERNATION

-1 AS SHOWN

										PART NUMBER		
4- -2	4- -1	3- -2	3- -1	2- -2	2- -1	1- -2	1- -1	-2	-1			
										PACKAGING QTY.		
										CABLE JACKET DIAMETER in mm		
1	10	100	2000	1000								
5.5-6.0	6.0-7.8	5.5-6.0	6.0-7.8	5.5-6.0	6.0-7.8	5.5-6.0	6.0-7.8	5.5-6.0	6.0-7.8			
1	1	1	1	1	1	-	-	1	1	PIN CONTACT, 4-6mm ² /10-12AWG, LOOSE PIECE		6
-	-	-	-	-	-	1	1	-	-	PIN CONTACT, 4-6mm ² /10-12AWG, STRIP		5
1	1	1	1	1	1	1	1	1	1	CABLE SCREW JOINT		4
1	1	1	1	1	1	1	1	1	1	PINCH RING SEAL INMOLDED, ASSY		3
1	1	1	1	1	1	1	1	1	1	METAL CLIP		2
1	1	1	1	1	1	1	1	1	1	PV4 PIN CONNECTOR, MINUS CODED		1
QUANTITY PER ASSEMBLY										DESCRIPTION		ITEM No

THIS DRAWING IS A CONTROLLED DOCUMENT.

DWN: CHRIS WANG 05APR2012
 CHK: ROJAY CHEN 08MAR2012
 APVD: PETER YIN 08MAR2012

TE Connectivity

NAME: PIN CONNECTOR KITS (MALE) (PV4-A*)
 SOLARLOK PV4 CONNECTOR

PRODUCT SPEC: 108-106078
 APPLICATION SPEC: 114-106078

SIZE: A2 CAGE CODE: 00779 DRAWING NO: C-1971861

WEIGHT: -

Customer Drawing SCALE: 2:1 SHEET 1 OF 1 REV: A7