



Chipsmall Limited consists of a professional team with an average of over 10 year of expertise in the distribution of electronic components. Based in Hongkong, we have already established firm and mutual-benefit business relationships with customers from,Europe,America and south Asia,supplying obsolete and hard-to-find components to meet their specific needs.

With the principle of “Quality Parts,Customers Priority,Honest Operation,and Considerate Service”,our business mainly focus on the distribution of electronic components. Line cards we deal with include Microchip,ALPS,ROHM,Xilinx,Pulse,ON,Everlight and Freescale. Main products comprise IC,Modules,Potentiometer,IC Socket,Relay,Connector.Our parts cover such applications as commercial,industrial, and automotives areas.

We are looking forward to setting up business relationship with you and hope to provide you with the best service and solution. Let us make a better world for our industry!



Contact us

Tel: +86-755-8981 8866 Fax: +86-755-8427 6832

Email & Skype: info@chipsmall.com Web: www.chipsmall.com

Address: A1208, Overseas Decoration Building, #122 Zhenhua RD., Futian, Shenzhen, China



THIS DRAWING IS UNPUBLISHED. RELEASED FOR PUBLICATION 20
 © COPYRIGHT 20 TE CONNECTIVITY ALL RIGHTS RESERVED.

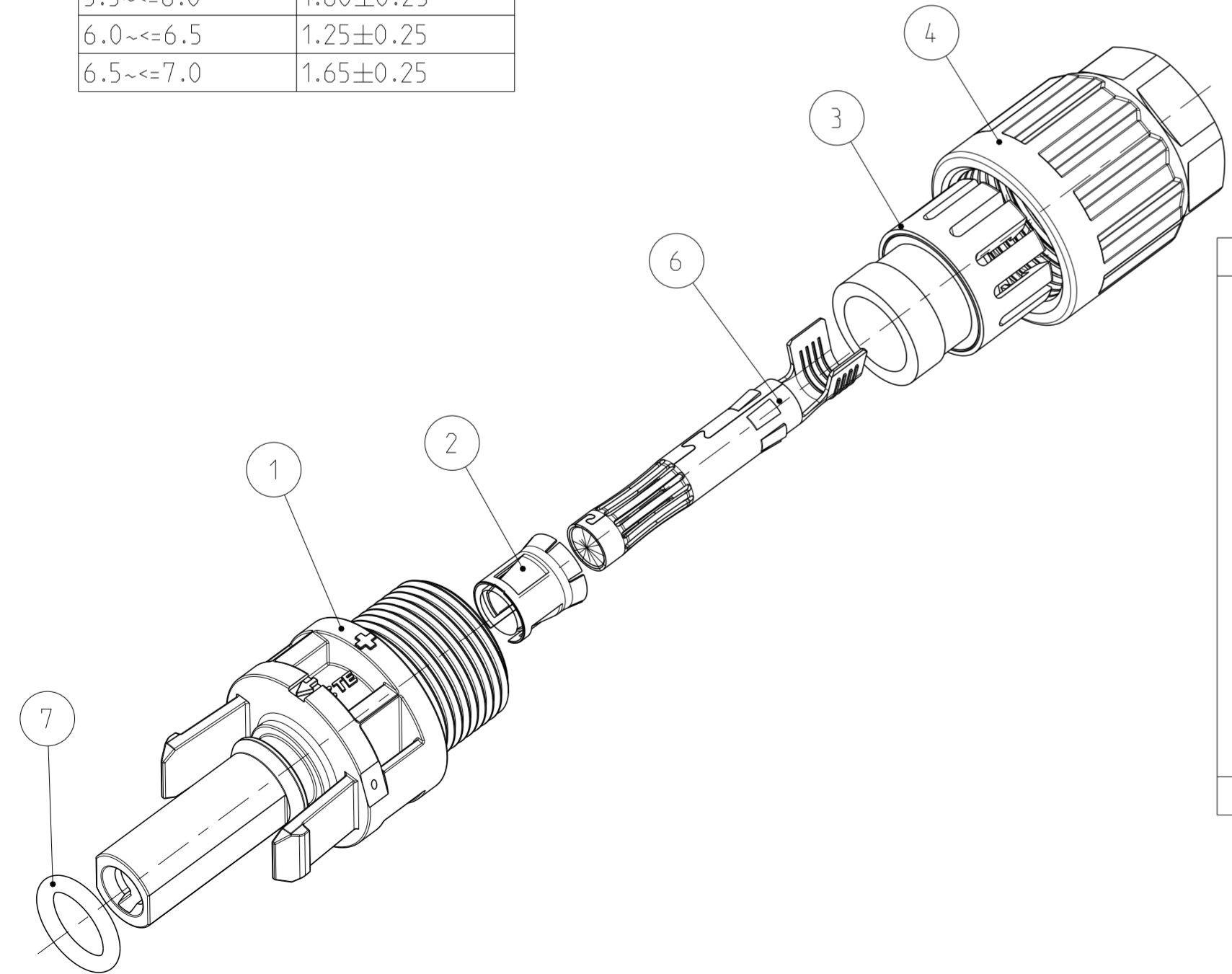
LOC	DIST	REVISIONS			
P	LTR	DESCRIPTION	DATE	DWN	APVD
-	-	A8	ADDED THE TORQUE GAP RANGE	30APR2015	LW PY

1 SPECIFICATION

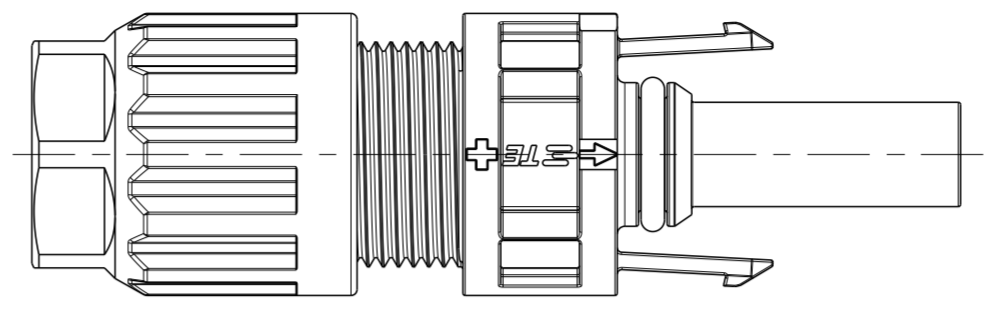
CABLE CONDUCTOR SIZE	4.0MM2/AWG12	6.0MM2/AWG10
RATED CURRENT (AT 85°C AMBIENT)	UL 20A DC TUV 35A DC	UL 30A DC TUV 40A DC
RATED VOLTAGE	1000V DC / TUV 1000V DC	
DEGREE OF PROTECTION, MATED	IP 68 (1m, 24h)	
AMBIENT TEMPERATURE RANGE	-40°C ~ +85°C	
OVERVOLTAGE CATEGORY	III	
POLLUTION DEGREE	2	
CONTACT RESISTANCE	0.5mΩ	
CONTACT MATERIAL	COPPER, TIN PLATED	
INSULATION MATERIAL	THERMOPLASTIC, UL94-V0	
SAFETY CLASS	II	
STRIP LENGTH	6.5mm	
CABLE JACKET DIAMETER	5.5~7.8mm	

- 2 CONTACT SHOWN UNINSTALLED, FOR REFERENCE ONLY
- 3 USE ONLY CRIMP TOOL OF TE CONNECTIVITY TO CRIMP CONTACT. CRIMP TOOL P/N 6-1579014-8
- 4 THE CABLE SCREW JOINT TORQUE GAP:

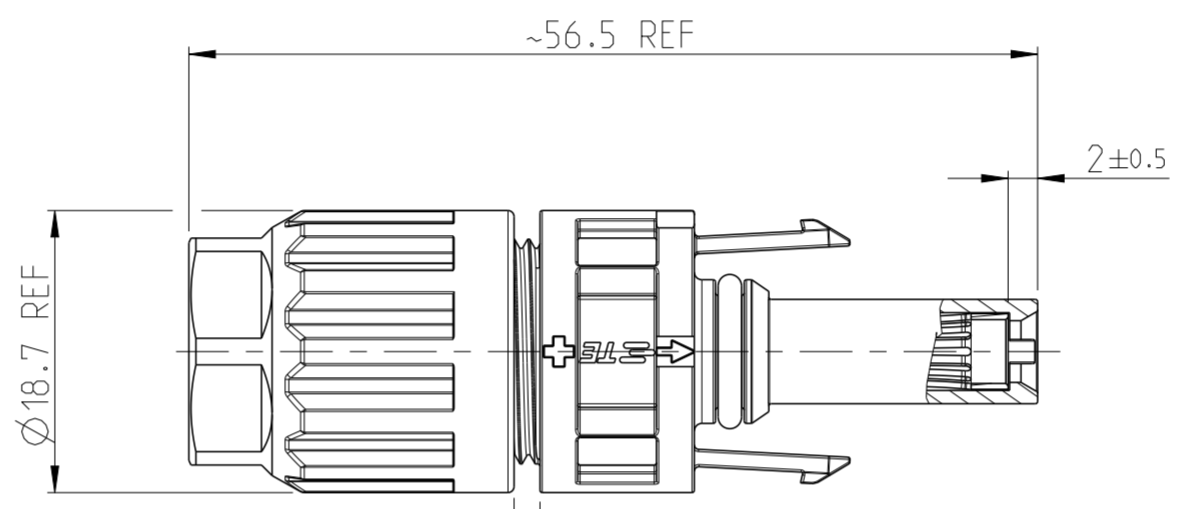
CABLE OD(mm)	TORQUE GAP(mm)
5.5~<=6.0	1.60±0.25
6.0~<=6.5	1.25±0.25
6.5~<=7.0	1.65±0.25



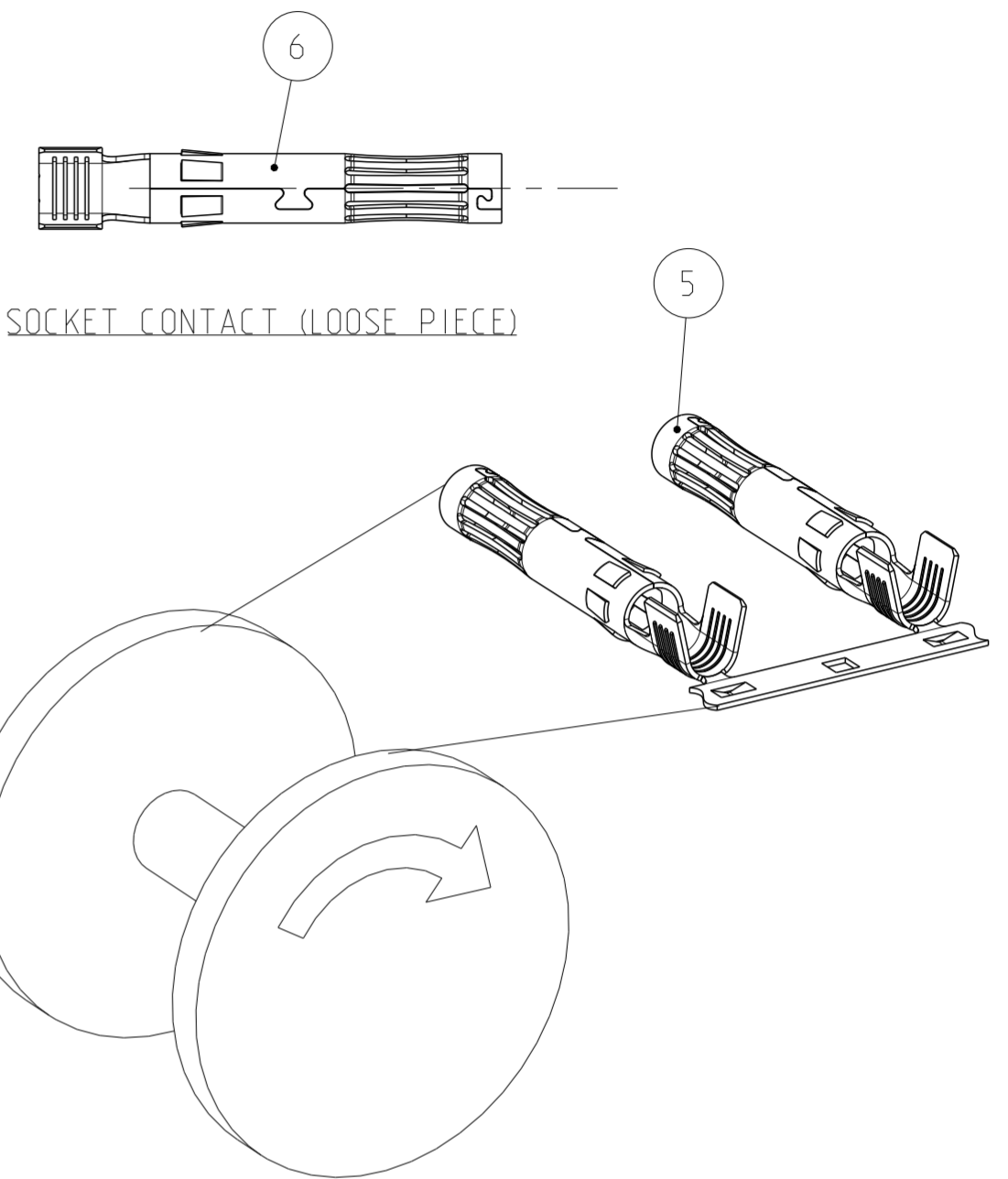
CONNECTOR ASSEMBLY SHOWN EXPLODED VIEW FOR REFERENCE ONLY



PREASSEMBLED VIEW AS SHOWN



ASSEMBLED VIEW AS SHOWN AND VIEW SHOWS THE TORQUE GAP FOR REFERENCE ONLY



STRIP CONTACT COME OFF TO ASSEMBLY 2000 PCS CONTACTS MOUNTED REEL REEL TYPE SUBJECT TO ALTERNATION -1 AS SHOWN

										PART NUMBER	
										PACKAGING QTY.	
										CABLE JACKET DIAMETER in mm	
4- -2	4- -1	3- -2	3- -1	2- -2	2- -1	1- -2	1- -1	-2	-1		
1	10	100	2000	1000							
5.5~6.0	6.0~7.8	5.5~6.0	6.0~7.8	5.5~6.0	6.0~7.8	5.5~6.0	6.0~7.8	5.5~6.0	6.0~7.8		
1	1	1	1	1	1	1	1	1	1	O-RING, 7.1X1.55 (RED)	7
1	1	1	1	1	1	-	-	1	1	SOCKET CONTACT, 4~6mm ² /10~12AWG, LOOSE PIECE	6
-	-	-	-	-	-	1	1	-	-	SOCKET CONTACT, 4~6mm ² /10~12AWG, STRIP	5
1	1	1	1	1	1	1	1	1	1	CABLE SCREW JOINT	4
1	1	1	1	1	1	1	1	1	1	PINCH RING SEAL INMOLDED, ASSY	3
1	1	1	1	1	1	1	1	1	1	METAL CLIP	2
1	1	1	1	1	1	1	1	1	1	PV4 SOCKET CONNECTOR, PLUS CODED	1
QUANTITY PER ASSEMBLY										DESCRIPTION	
										ITEM No	

THIS DRAWING IS A CONTROLLED DOCUMENT.

DIMENSIONS: mm

TOLERANCES UNLESS OTHERWISE SPECIFIED:

0 PLC	±
1 PLC	±
2 PLC	±
3 PLC	±
4 PLC	±
ANGLES	±
FINISH	±

MATERIAL: -

APPROVALS:

DWN	CHRIS WANG	08MAR2012
CHK	ROJAY CHEN	08MAR2012
APVD	PETER YIN	08MAR2012

PRODUCT SPEC: 108-106078

APPLICATION SPEC: 114-106078

WEIGHT: -

Customer Drawing

SCALE: 2:1

SHEET 1 OF 1

REV A8

STE TE Connectivity

SOCKET CONNECTOR KITS (FEMALE) (PV4-B*) SOLARLOK PV4 CONNECTOR

SIZE: A2

CAGE CODE: 00779

DRAWING NO: C-1971862

RESTRICTED TO: -