



Chipsmall Limited consists of a professional team with an average of over 10 year of expertise in the distribution of electronic components. Based in Hongkong, we have already established firm and mutual-benefit business relationships with customers from,Europe,America and south Asia,supplying obsolete and hard-to-find components to meet their specific needs.

With the principle of “Quality Parts,Customers Priority,Honest Operation,and Considerate Service”,our business mainly focus on the distribution of electronic components. Line cards we deal with include Microchip,ALPS,ROHM,Xilinx,Pulse,ON,Everlight and Freescale. Main products comprise IC,Modules,Potentiometer,IC Socket,Relay,Connector.Our parts cover such applications as commercial,industrial, and automotives areas.

We are looking forward to setting up business relationship with you and hope to provide you with the best service and solution. Let us make a better world for our industry!



## Contact us

Tel: +86-755-8981 8866 Fax: +86-755-8427 6832

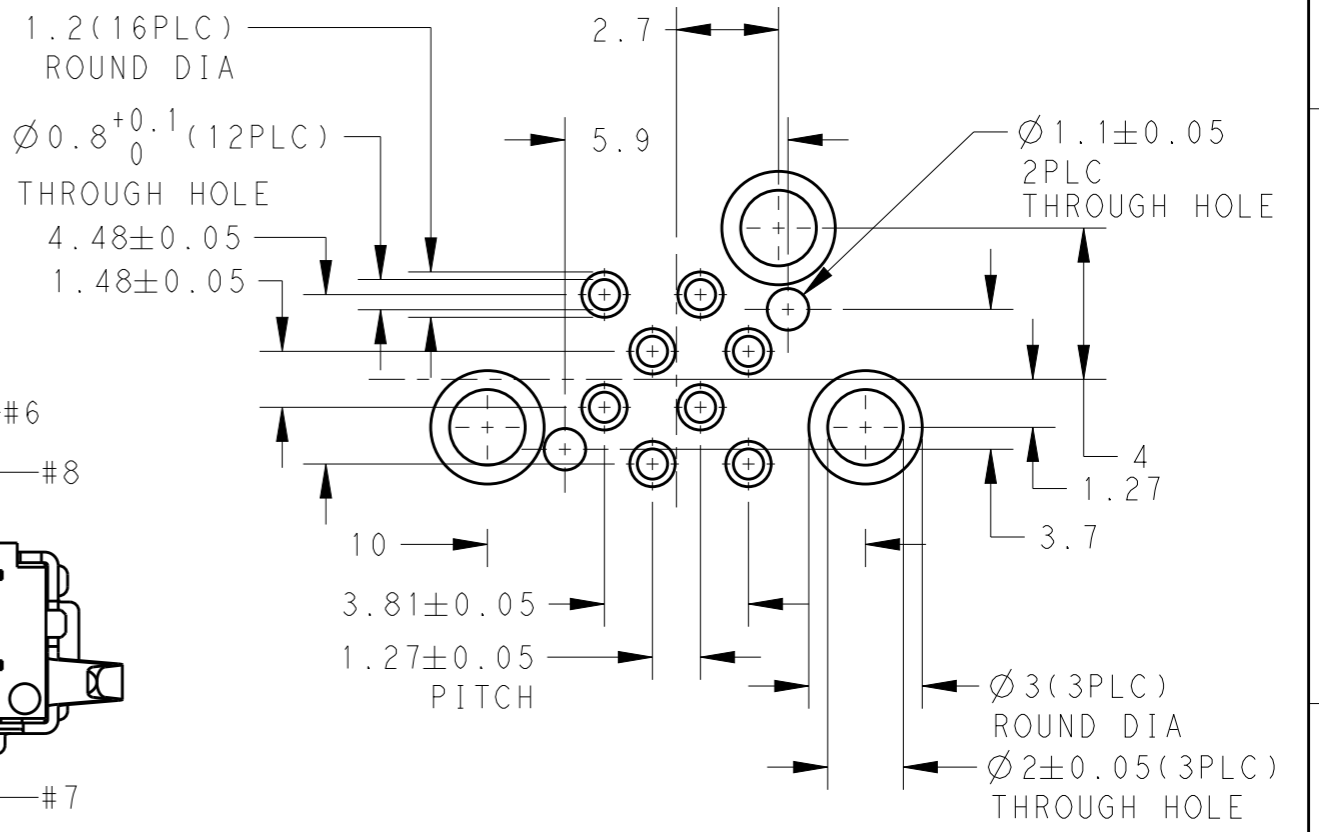
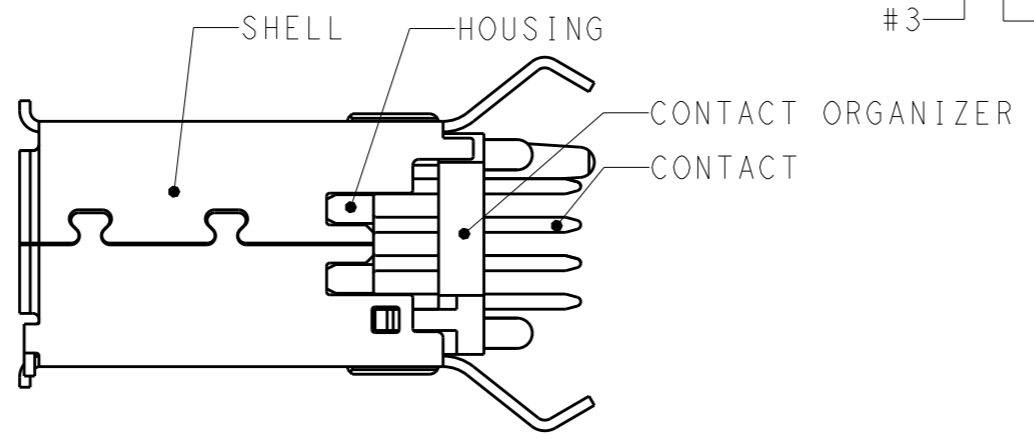
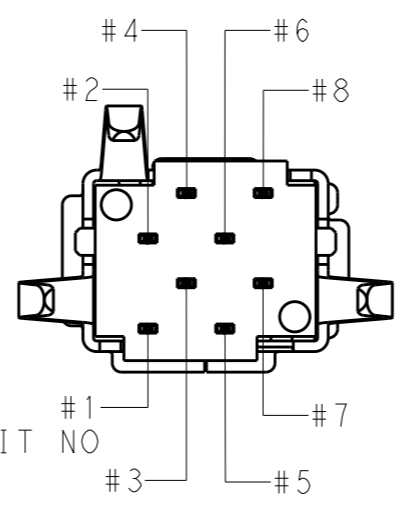
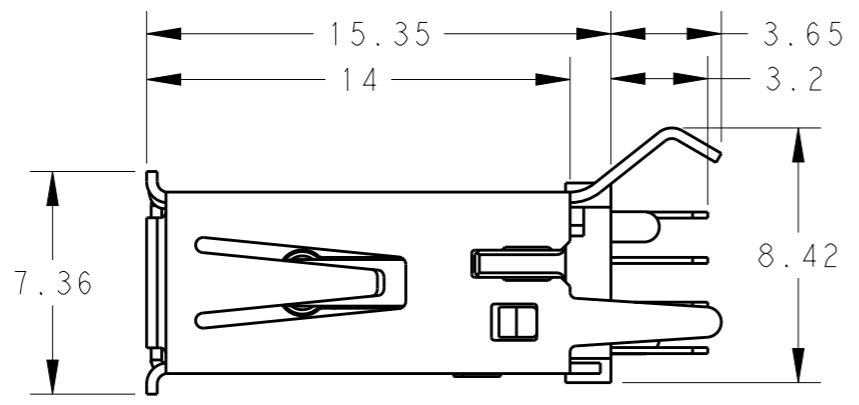
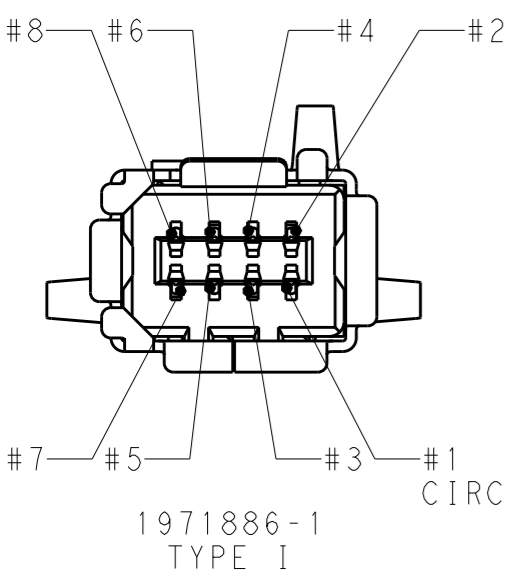
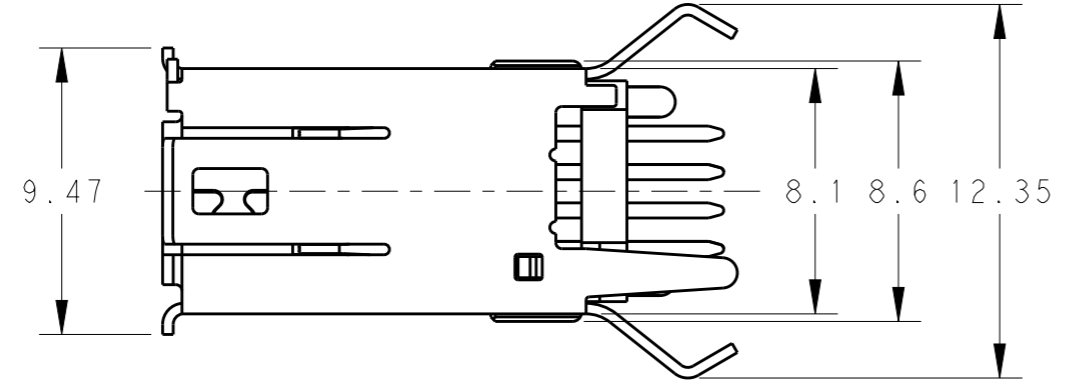
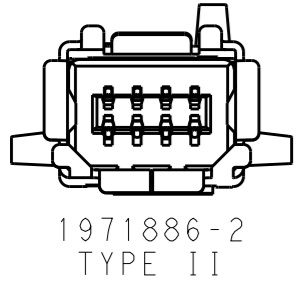
Email & Skype: info@chipsmall.com Web: www.chipsmall.com

Address: A1208, Overseas Decoration Building, #122 Zhenhua RD., Futian, Shenzhen, China



THIS DRAWING IS UNPUBLISHED. RELEASED FOR PUBLICATION 20  
 © COPYRIGHT 20 ALL RIGHTS RESERVED.

LOC		DIST		REVISIONS			
P	LTR	DESCRIPTION		DATE	DWN	APVD	
-	-	A	NEW RELEASE	08JAN2013	H.W.	P.Y.	



RECOMMENDED BOARD DIMENSION (CONNECTOR SIDE) +1.6  
 Scale 5:1

- NOTES:
- MATERIAL AND FINISH  
 CONTACT: COPPER ALLOY  
 UNDER ALL SURFACE NICKEL 1.27µm MIN.  
 TOP CONTACT AREA: GOLD 0.5µm MIN  
 SOLDERING AREA: TIN PLATE  
 HOUSING: THERMO PLASTIC(UL94V-0)  
 SHELL: COPPER ALLOY  
 UNDER ALL SURFACE NICKEL  
 TOP ALL SURFACE TIN
  - GENERAL TOL.: ±0.3; ±5°
  - PACKAGE: 60PCS PER TRAY FOR 1971886-1 & 1971886-2

POS	DESCRIPTION	PART NO
8	TYPE II THR RECEPTACLE	1971886-2
8	TYPE I THR RECEPTACLE	1971886-1

THIS DRAWING IS A CONTROLLED DOCUMENT.		DWN HAO WANG 08JAN2013	TE Connectivity													
DIMENSIONS: mm		CHK DAVID WANG 08JAN2013														
TOLERANCES UNLESS OTHERWISE SPECIFIED:		APVD PETER YIN 08JAN2013	NAME THR VERTICAL MINI I/O RECEPTACLE 1.27mmPITCH													
<table border="1"> <tr><td>0 PLC</td><td>±-</td></tr> <tr><td>1 PLC</td><td>±-</td></tr> <tr><td>2 PLC</td><td>±-</td></tr> <tr><td>3 PLC</td><td>±-</td></tr> <tr><td>4 PLC</td><td>±-</td></tr> <tr><td>ANGLES</td><td>±-</td></tr> </table>		0 PLC	±-	1 PLC	±-	2 PLC	±-	3 PLC	±-	4 PLC	±-	ANGLES	±-	PRODUCT SPEC 108-106087	SIZE CAGE CODE DRAWING NO RESTRICTED TO	
0 PLC	±-															
1 PLC	±-															
2 PLC	±-															
3 PLC	±-															
4 PLC	±-															
ANGLES	±-															
MATERIAL - FINISH -		APPLICATION SPEC - WEIGHT -	A300779 C-1971886													
		CUSTOMER DRAWING	SCALE 1:1	SHEET 1 OF 1 REV A												