



Chipsmall Limited consists of a professional team with an average of over 10 year of expertise in the distribution of electronic components. Based in Hongkong, we have already established firm and mutual-benefit business relationships with customers from,Europe,America and south Asia,supplying obsolete and hard-to-find components to meet their specific needs.

With the principle of "Quality Parts,Customers Priority,Honest Operation,and Considerate Service",our business mainly focus on the distribution of electronic components. Line cards we deal with include Microchip,ALPS,ROHM,Xilinx,Pulse,ON,Everlight and Freescale. Main products comprise IC,Modules,Potentiometer,IC Socket,Relay,Connector.Our parts cover such applications as commercial,industrial, and automotives areas.

We are looking forward to setting up business relationship with you and hope to provide you with the best service and solution. Let us make a better world for our industry!



Contact us

Tel: +86-755-8981 8866 Fax: +86-755-8427 6832

Email & Skype: info@chipsmall.com Web: www.chipsmall.com

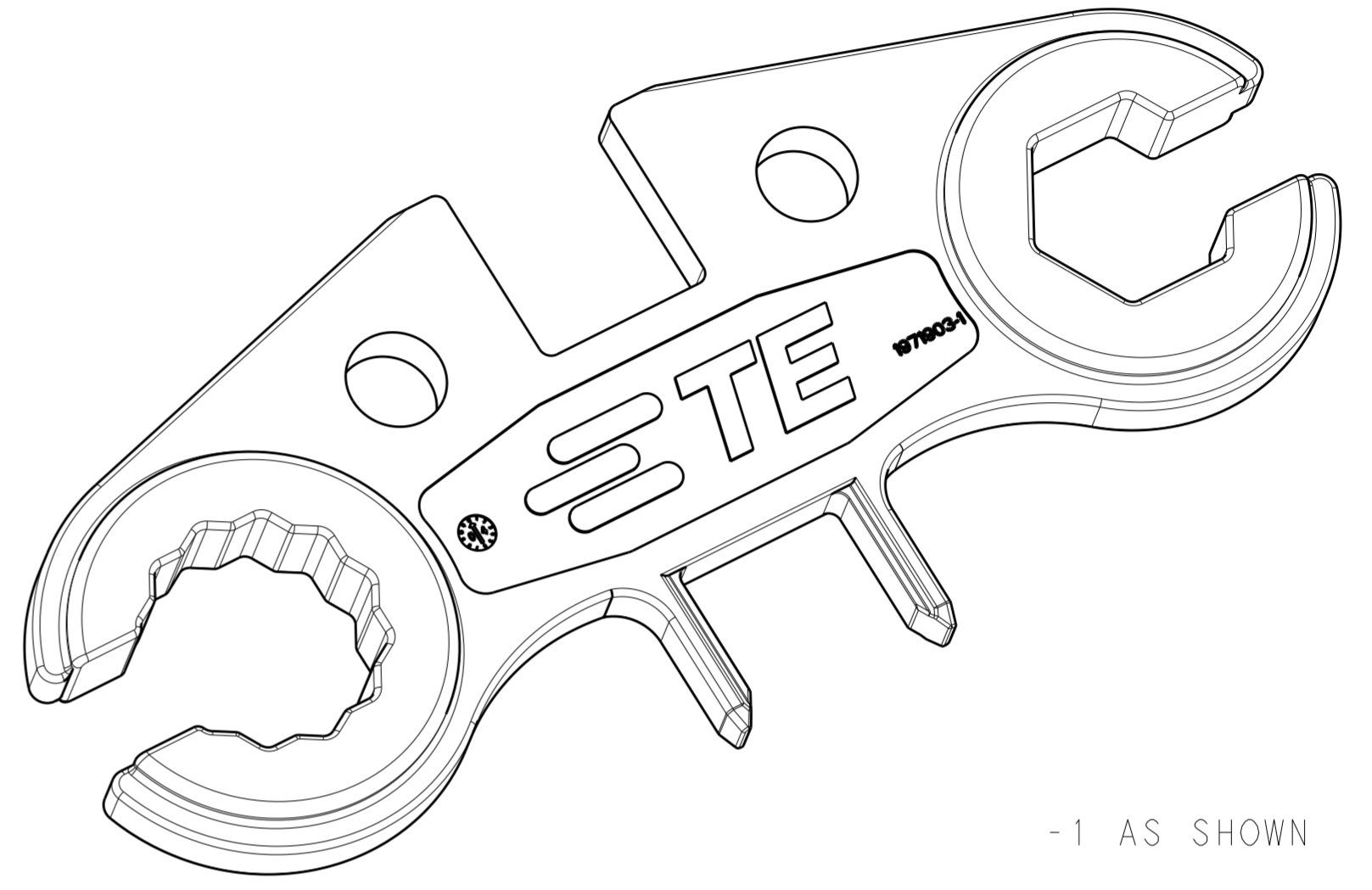
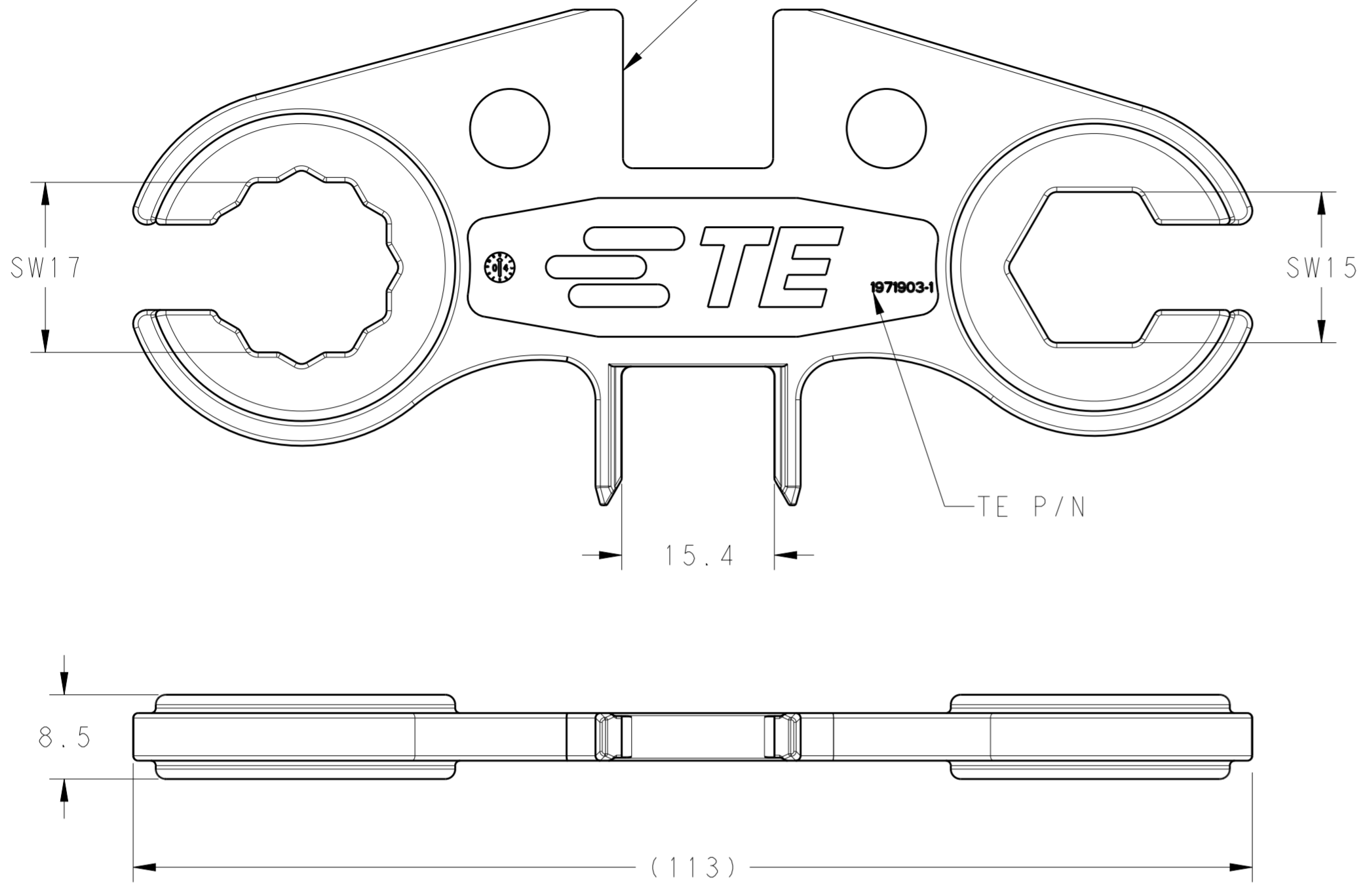
Address: A1208, Overseas Decoration Building, #122 Zhenhua RD., Futian, Shenzhen, China



THIS DRAWING IS UNPUBLISHED. RELEASED FOR PUBLICATION 20
 © COPYRIGHT 20 BY TE CONNECTIVITY ALL RIGHTS RESERVED.

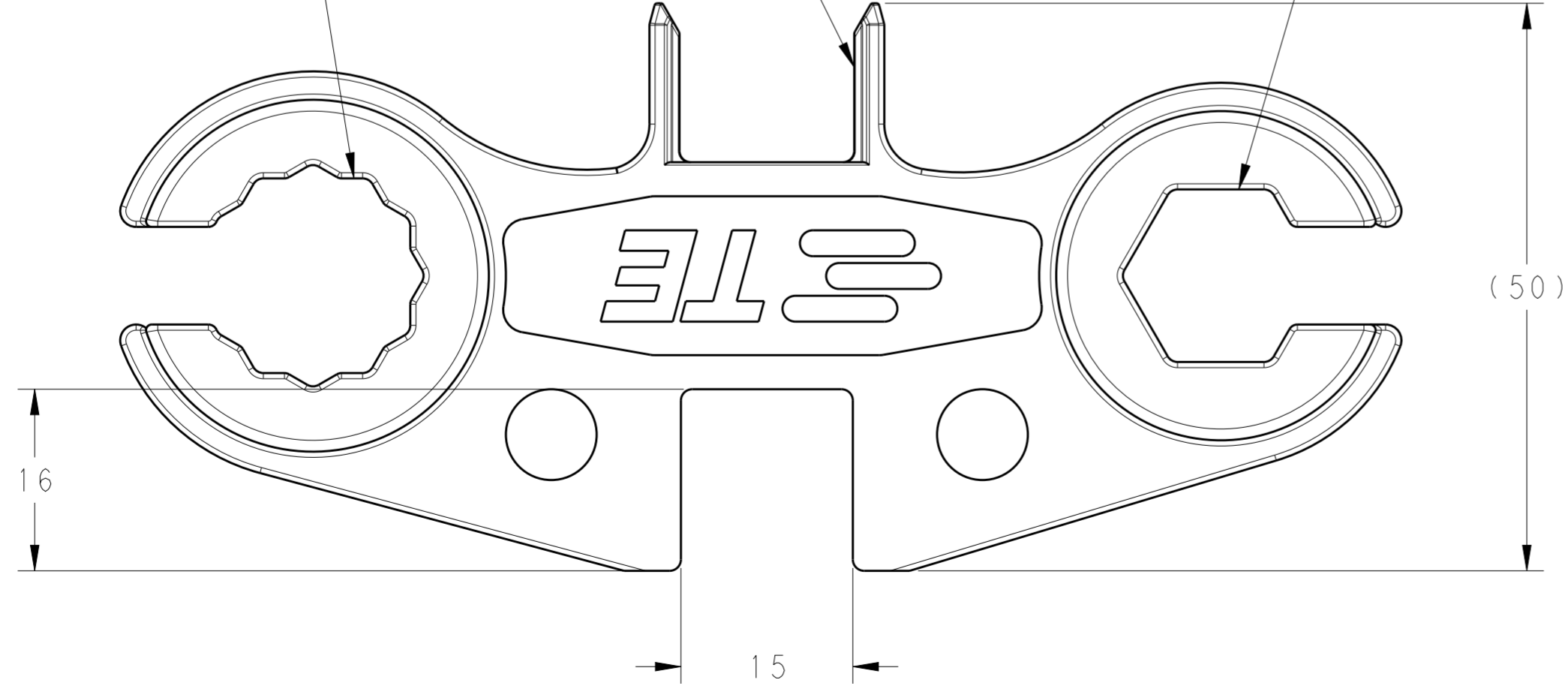
LOC		DIST		REVISIONS			
P	LTR	DESCRIPTION	DATE	DWN	APVD		
-	-	A	RELEASED	26NOV2012	CW	PY	

FIX CONNECTOR FOR TIGHTENING OPERATION
 (FOR THIS ACTION TWO TOOLS ARE REQUIRED)



-1 AS SHOWN

DISCONNECT CONNECTOR
 TWELVE RING SPANNER
 HEXAGON RING SPANNER



1. MATERIAL: POLYMER

THIS DRAWING IS A CONTROLLED DOCUMENT.		DWN 08OCT2012 CHRIS WANG	STE TE Connectivity	
DIMENSIONS: mm		CHK 08OCT2012 TANDY TANG		
TOLERANCES UNLESS OTHERWISE SPECIFIED:		APVD 08OCT2012 PETER YIN	NAME OPEN TOOL PV4 CONNECTOR	
0 PLC ±0.5		PRODUCT SPEC	RESTRICTED TO	
1 PLC ±0.30		APPLICATION SPEC	SIZE	CAGE CODE
2 PLC ±		114-106078	A200779	C-1971903
3 PLC ±		WEIGHT	SCALE 2:1 SHEET 1 OF 1 REV A	
4 PLC ±		Customer Drawing		
ANGLES ±				
FINISH				