



Chipsmall Limited consists of a professional team with an average of over 10 year of expertise in the distribution of electronic components. Based in Hongkong, we have already established firm and mutual-benefit business relationships with customers from,Europe,America and south Asia,supplying obsolete and hard-to-find components to meet their specific needs.

With the principle of “Quality Parts,Customers Priority,Honest Operation,and Considerate Service”,our business mainly focus on the distribution of electronic components. Line cards we deal with include Microchip,ALPS,ROHM,Xilinx,Pulse,ON,Everlight and Freescale. Main products comprise IC,Modules,Potentiometer,IC Socket,Relay,Connector.Our parts cover such applications as commercial,industrial, and automotives areas.

We are looking forward to setting up business relationship with you and hope to provide you with the best service and solution. Let us make a better world for our industry!



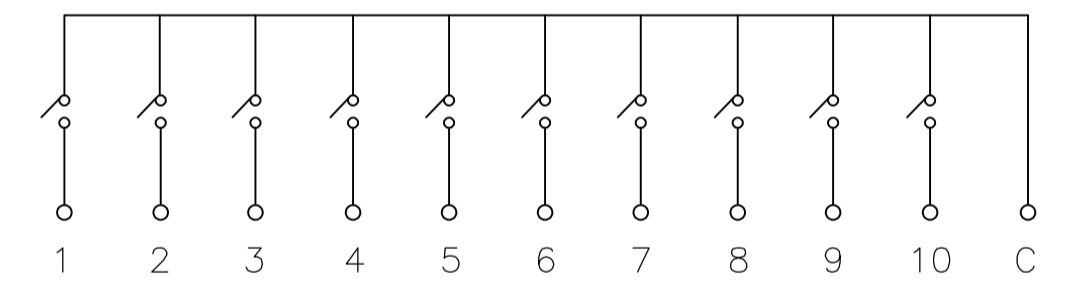
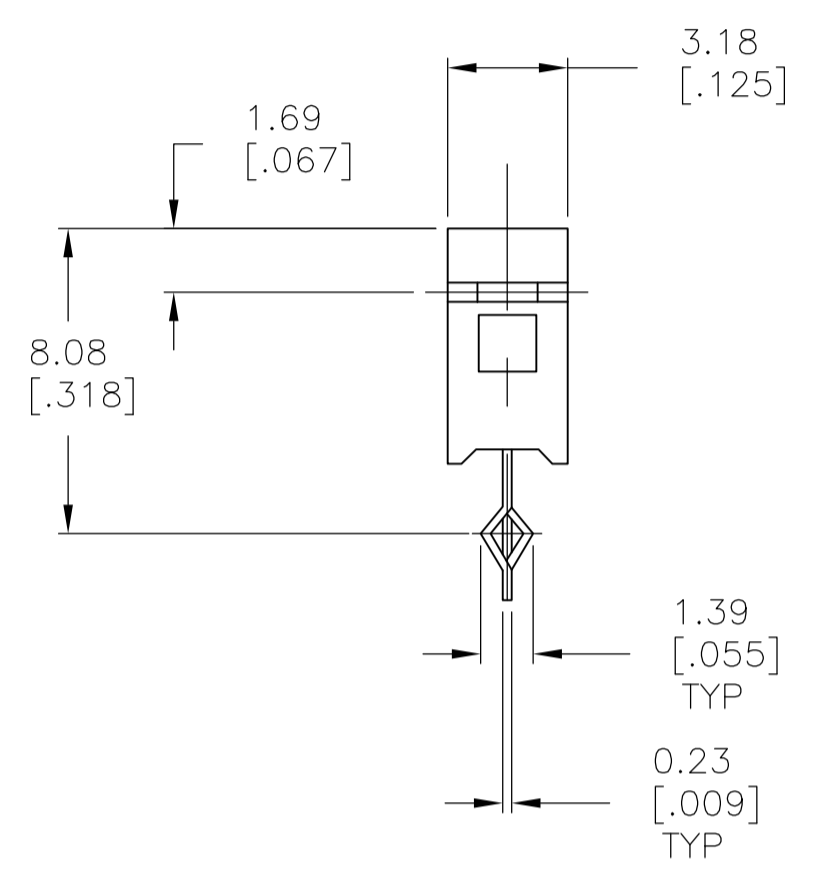
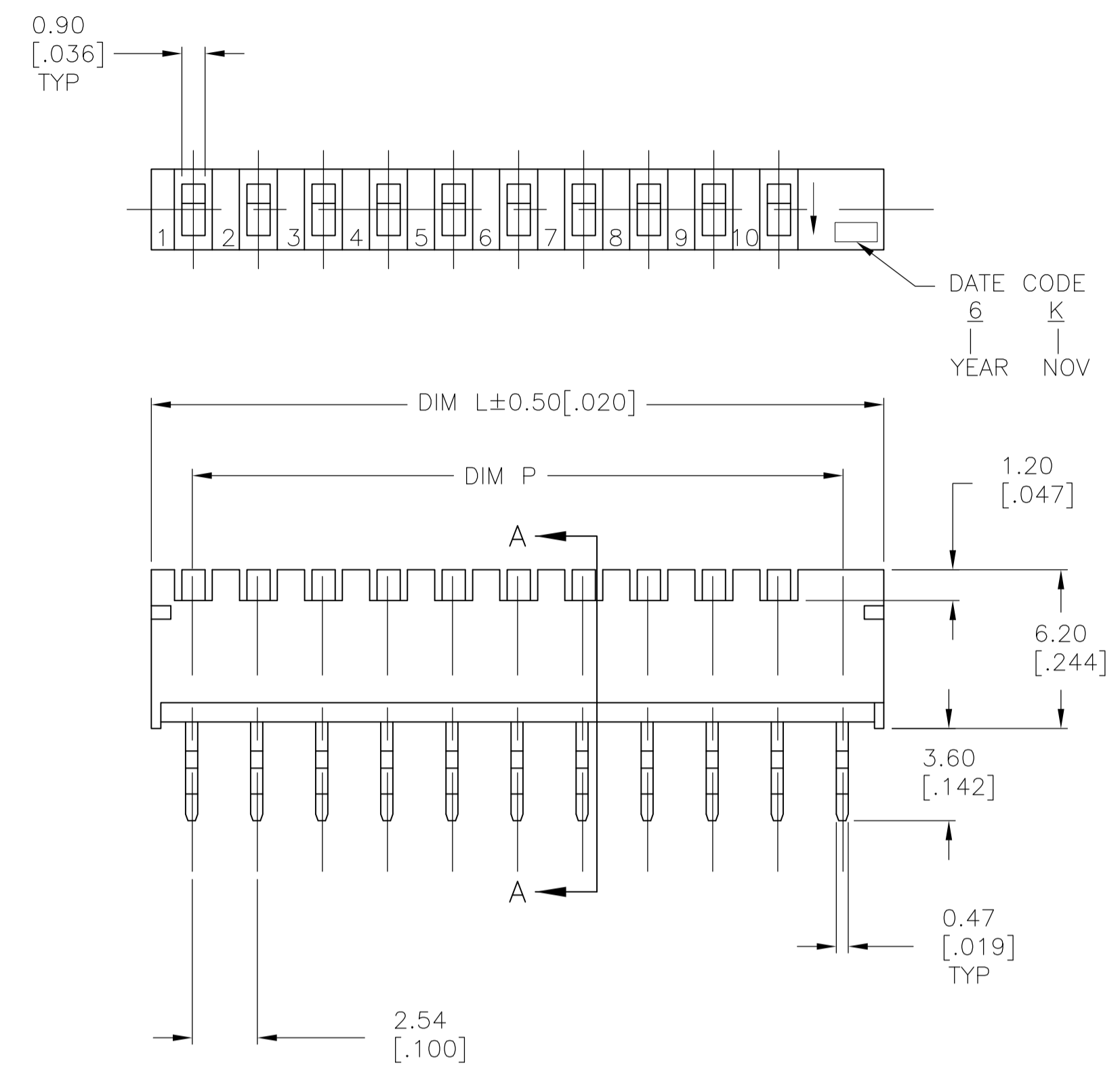
## Contact us

Tel: +86-755-8981 8866 Fax: +86-755-8427 6832

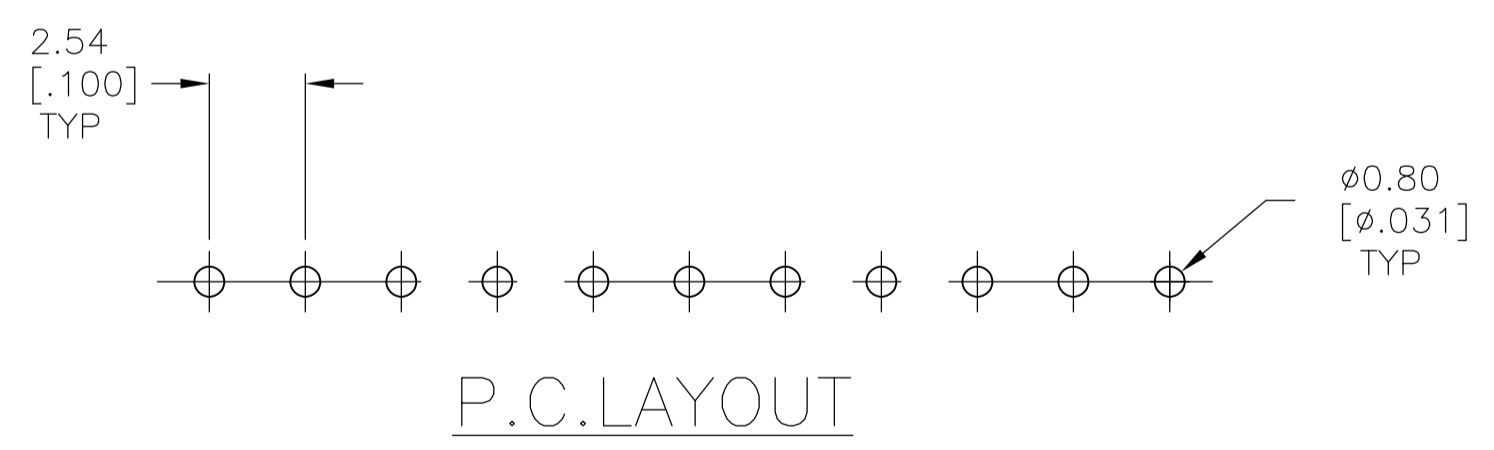
Email & Skype: info@chipsmall.com Web: www.chipsmall.com

Address: A1208, Overseas Decoration Building, #122 Zhenhua RD., Futian, Shenzhen, China





CIRCUIT DIAGRAM



P.C. LAYOUT

SPECIFICATIONS

**MATERIALS:**  
 CASE, PPS UL94V-0, BLACK  
 COVER, PBT UL94V-0, BLACK  
 ACTUATOR, 46 NYLON UL94V-0, WHITE  
 TERMINAL/FIXED CONTACT-COPPER ALLOY- GOLD OVER NICKEL PLATE  
 MOVING CONTACT-COPPER ALLOY- GOLD FLASH OVER NICKEL PLATE

**ELECTRICAL:**  
 RATING- 1a max non-switching  
 0.1µA (1mV) min switching  
 DC 5V 10mA  
 INITIAL CONTACT RESISTANCE- 50milliohm max. (300 milliohms after test)  
 INSULATION RESISTANCE- 100Megohms min. at 100V DC  
 DIELECTRIC STRENGTH- 300V RMS@SEA LEVEL  
 LIFE EXPECTANCY- 1,000 CYCLES

**MECHANICAL:**  
 ACTUATION FORCE- 2.45 +/-1.47N (245 +/-147 GF)  
 TRAVEL- 33°

**ENVIRONMENTAL:**  
 OPERATING TEMPERATURE- -30 TO +85 DEGREES C  
 STORAGE TEMPERATURE- -45 TO +100 DEGREES C  
 RESISTANCE TO SOLDER HEAT- 265 +/-3°C for 8 +/-2 seconds  
 SOLDERABILITY PER JIS-C-0050 & JIS-C-0053

- 1 ALL MATERIALS AND FINISHES SHALL COMPLY WITH EU DIRECTIVE 2002/95/EC OF 27JAN2003 (ROHS)
- 2 SWITCH SUPPLIED IN THE "OFF" POSITION AND SHOULD BE SOLDERED IN THE "OFF" POSITION.

1, 2, 10 & C	25.40 (1.000)	28.60 (1.126)	STV10	1977104-5
1, 2, 8, & C	20.32 (.800)	23.52 (.926)	STV08	1977104-4
1, 2, 6 & C	15.24 (.600)	18.44 (.726)	STV06	1977104-3
ALL	10.16 (.400)	13.36 (.526)	STV04	1977104-2
ALL	5.08 (.200)	8.28 (.326)	STV02	1977104-1
KINKED TERMINALS	DIM P	DIM L	T&B P/N	PART NUMBER

THIS DRAWING IS A CONTROLLED DOCUMENT.		DIN M. BINNER 16MAY07		Tyco Electronics Corporation Harrisburg, PA 17105-3608	
DIMENSIONS: mm [INCHES]		TOLERANCES UNLESS OTHERWISE SPECIFIED:		NAME: M. S. SARVER	
0 PLC ± -		1 PLC ± -		PRODUCT SPEC	
1 PLC ± -		2 PLC ± 0.30[0.012]		APPLICATION SPEC	
2 PLC ± -		3 PLC ± -		SIZE: A1	
3 PLC ± -		4 PLC ± -		CAGE CODE: 00779	
ANGLES ± -		FINISH: -		DRAWING NO: 1977104	
MATERIAL: SEE SPECIFICATIONS		WEIGHT: -		RESTRICTED TO: -	
		CUSTOMER DRAWING		SCALE: 5:1 SHEET: 1 OF 1 REV: B	